

LEGEND

☒ 4" X 4" X 4' WOOD POST LOCATION MONUMENT
 □ 4" X 4" X 4' WOOD POST MONUMENT
 ○ ○ INDICATES SECTION CORNER

LOCATION DATES

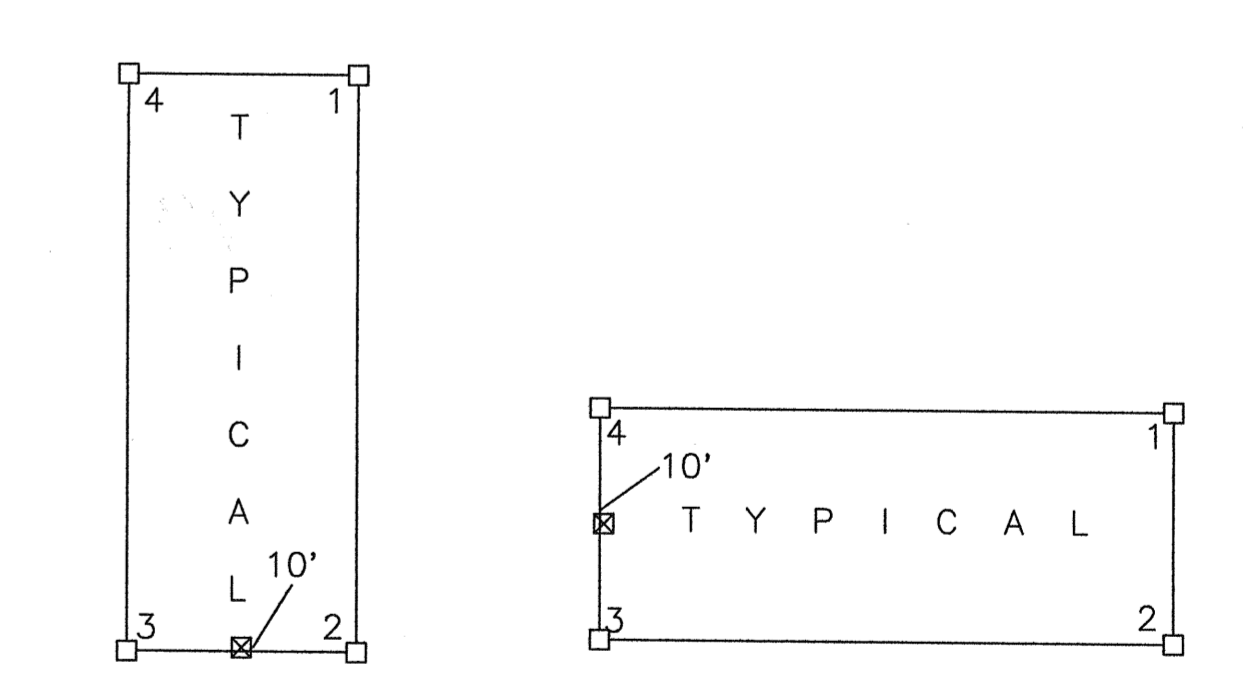
HAWK 1A-2A MAY 6, 1994
 HAWK 63A-64A MAY 6, 1994
 HAWK 72A-75A MAY 5, 1994

OWNER

NEWMONT EXPLORATION LIMITED
 555 FIFTH STREET
 ELKO, NEVADA 89801

TIE:
 FROM THE SOUTHWEST CORNER SECTION 21
 680' NORTH, 1200' WEST TO THE
 SOUTHEAST CORNER HAWK 64A.
 TIE THE SOUTHEAST CORNER HAWK 75A
 1500' NORTH OF THE NORTHWEST
 CORNER HAWK 63A.
 TIE THE SOUTHWEST CORNER SECTION 21
 2320' SOUTH AND 5400' WEST
 TO THE NORTHEAST CORNER OF HAWK 2A.

- NOTES**
1. ALL CLAIMS ARE 1500' X 600' UNLESS OTHERWISE SHOWN
 2. LOCATION MONUMENTS ARE 10' FROM END LINE OF CLAIM UNLESS OTHERWISE SHOWN.
 3. SECTION LINES ARE APPROXIMATE BASED ON SOUTHWEST CORNER OF SECTION 21



FILED AT THE REQUEST OF *Newmont Exploration*
 ON *July 29* 19 *94* at *3:22* mins, past *12* M.
 REC'D OF EUREKA COUNTY, NEVADA M. N. REBALEATI, Recorder
 File No. **154295** Fee \$ *280*

154295

MAP OF THE
**HAWK 1A-2A, 63A-64A,
 72A-75A**
 LODGE MINING CLAIMS
 LOCATED WITHIN
 SECTIONS 17, 20, 29-30
 T. 36 N., R. 51 E. M.D.M.
 ELKO & EUREKA COUNTIES, NEVADA
 NEWMONT EXPLORATION LIMITED