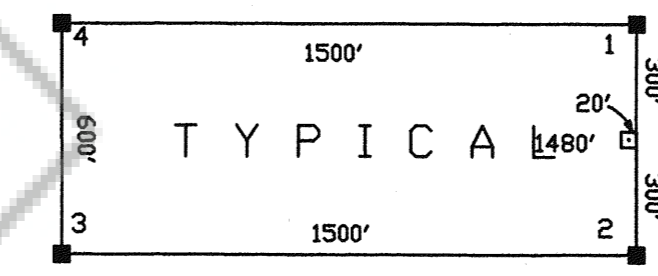


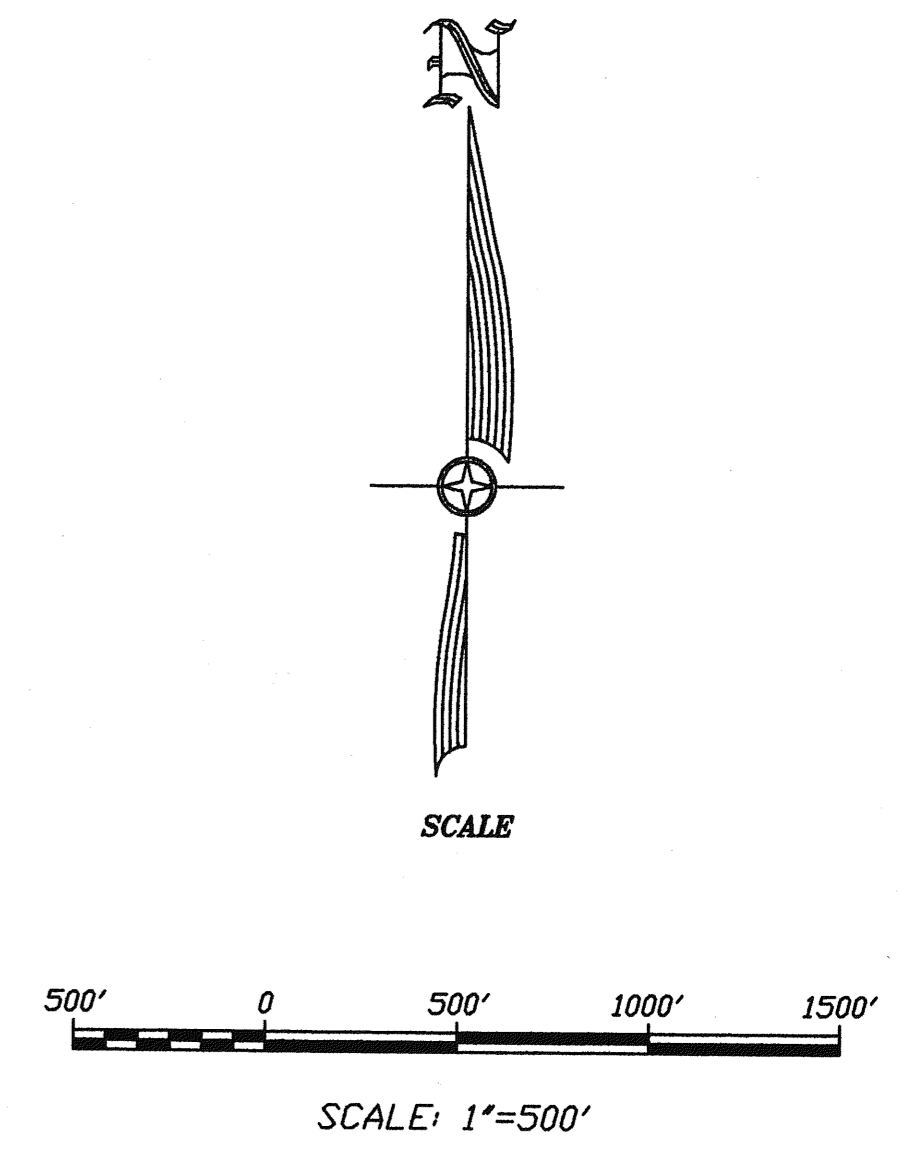
NOTES:
 ALL CLAIMS ARE 1500' LONG BY 600' WIDE UNLESS OTHERWISE SHOWN
 LOCATION MONUMENTS ARE SET ON THE CENTERLINE OF EACH CLAIM,
 20 FEET FROM THE NEAR ENDLINE, AND 1480 FEET FROM THE OPPOSITE ENDLINE,
 UNLESS OTHERWISE SHOWN.

OWNER AND LOCATOR:
 NEWMONT EXPLORATION LIMITED
 555 FIFTH STREET
 ELKO, NEVADA 89801

LEGEND:
 ■ = 2' X 2' X 4' WOOD POST CLAIM CORNER
 □ = 2' X 2' X 4' WOOD POST LOCATION MONUMENT
 ◇ = FOUND SECTION CORNER



LOCATION MONUMENT MAY LIE AT EITHER END OF THE CLAIM



NEWMONT EXPLORATION
 FILED AT THE REQUEST OF _____
 ON JAN 25 1995 at 21 mins, past 9A M.
 RECORDS OF EUREKA COUNTY, NEVADA M. N. REBALEATI, Recorder
 File No. 156917 Fee \$ 480.00

MAP
 OF
COLD 1 - 32
 LODE MINING CLAIMS
 IN
 SECTION(S) 1,2,11,12,13,& 14, T. 34 N., R. 51 E., MDM
 SECTION(S) 6 & 7, T. 34 N., R. 52 E., MDM
 EUREKA COUNTY, NEVADA
 BY: NEWMONT EXPLORATION LIMITED
 555 FIFTH STREET
 ELKO, NEVADA