

RECORDING REQUESTED BY AND RETURN TO:
 NEWMONT EXPLORATION LIMITED
 555 FIFTH STREET
 ELKO, NV 89801

CERTIFICATE OF LOCATION
 LODGE MINING CLAIM

TO ALL WHOM IT MAY CONCERN:

The Undersigned hereby certifies that he, on behalf of NEWMONT EXPLORATION LIMITED, a Delaware corporation, has caused to be located the CHERRY 30 Lodge Mining Claim in the following quarter section(s):

1/4	Section	Township	Range	Meridian
SE	28	33 North	51 East	MDM
NE	33	33 North	51 East	MDM

in an Unknown Mining District, Eureka County, Nevada, on the 1st day of December, 1994.

The name and mailing address of the locator is:

NEWMONT EXPLORATION LIMITED
 555 FIFTH STREET
 ELKO, NV 89801

The claim is approximately 1500 feet long and 600 feet wide, such that 1480 feet are claimed in a southerly direction and 20 feet in a northerly direction from the point of discovery (monument of location), at which the Notice of Location was posted, together with 300 feet on each side of the monument of location and center line of the Claim. The general course of the lode or vein is from the southerly to the northerly direction.

The number, location and markings on each corner monument is as follows:

Location	Markings	Description
No. 1: Northeast Corner	NEC CHERRY 30	2" X 2" X 4' wood post
No. 2: Southeast Corner	SEC CHERRY 30	2" X 2" X 4' wood post
No. 3: Southwest Corner	SWC CHERRY 30	2" X 2" X 4' wood post
No. 4: Northwest Corner	NWC CHERRY 30	2" X 2" X 4' wood post

As erected on the ground, each corner monument is marked as described above by a scribed metal tag.

The work of location consisted of making a claim map as provided in N.R.S. 517.040 which map is recorded herewith.

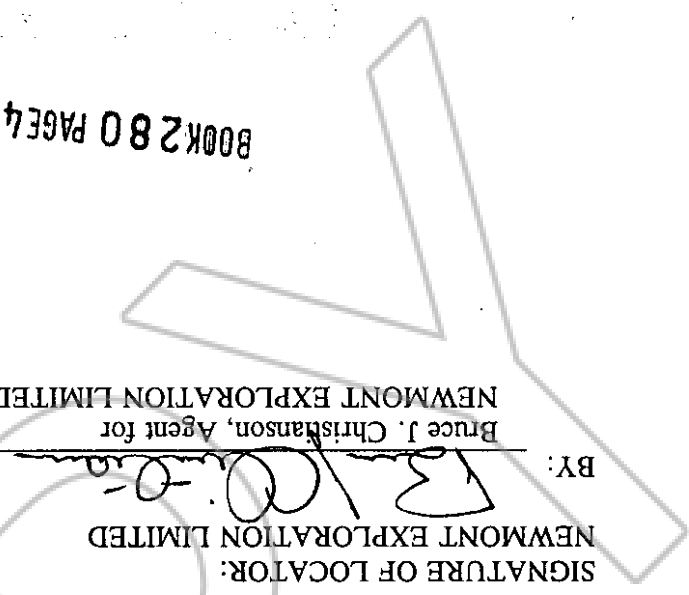
SIGNATURE OF LOCATOR:

NEWMONT EXPLORATION LIMITED

Bruce J. Christianson, Agent for

NEWMONT EXPLORATION LIMITED

BY:



BOOK 286 PAGE 475
 OFFICIAL RECORDS
 RECORDED AT THE REQUEST OF
 NEWMONT EXPLORATION
 95 JAN 25 AM 9:49
 EUREKA COUNTY NEVADA
 M.N. REBAL EATL. RECORDER
 FILE NO. 156947
 FEES \$250

BOOK 280 PAGE 475

156947