

BUCKHORN
Eureka County, Nevada

159040

PATHFINDER EXPLORATION CORPORATION
255 Glendale Avenue, Suite 26
Sparks, Nevada 89431

Recording requested by and return to:

NOTICE OF INTENT TO HOLD

TO WHOM IT MAY CONCERN:

Denis R. Anderson, Agent for Pathfinder Exploration Corporation ("Pathfinder"), 255 Glendale Avenue, Suite 26, Sparks, Nevada 89431, states the following:

1. In making this notice, Pathfinder is acting for and on behalf of the owners or claimants of the mining claims described on Exhibit A attached hereto and by this reference incorporated herein.

2. Buekhorn Mines Company, 875 Cherry Terrace, Susanville, CA 96130, is the beneficial owner of the claims; and Cominco American Resources Incorporated, with an address at Post Office Box 3087, 601 West Riverside Avenue, Spokane, Washington 99220, and Equinox Resources, Inc., P.O. Box C-8000, Coeur d'Alene, Idaho 83814-1931 are the lessees of the claims.

3. The owners or claimants intend to hold the claims for the assessment year ending September 1, 1995.

4. The claim maintenance fees required by Public Law 103-66, 107 Stat. 312 and 43 C.F.R. Part 3830, in the amount of One Hundred Dollars (\$100.00) per claim for the filing year ending September 1, 1996, have been paid.

Dated and signed this 19th day of September, 1995.

PATHFINDER EXPLORATION CORPORATION

by

D.R. Anderson

D. R. Anderson, Manager Land

RECORDER'S STAMP

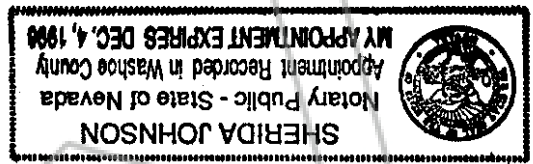
STATE OF NEVADA)
COUNTY OF WASHOE)
§)

The foregoing instrument was acknowledged before me by D. R. Anderson, this 19th day of September, 1995.

Witness my hand and official seal.

Sherida Johnson

Notary Public



BOOK 286 PAGE 4 20

Owner: Buckhorn Mines Company
875 Cherry Terrace
Susanville, CA 96130

BUCKHORN PROJECT
(593 Claims)
Eureka County, Nevada

RCV'D NSO BLM
95 AUG 17 PM 2:44

<u>BLM No</u>	<u>Claim Name</u>	<u>BLM No</u>	<u>Claim Name</u>
116426	ASPEN 40	116387	ASPEN 1
116427	ASPEN 41	116388	ASPEN 2
116428	ASPEN 42	116389	ASPEN 3
116429	ASPEN 43	116390	ASPEN 4
116430	ASPEN 44	116391	ASPEN 5
116431	ASPEN 45	116392	ASPEN 6
116432	ASPEN 46	116393	ASPEN 7
116433	ASPEN 47	116394	ASPEN 8
116434	ASPEN 48	116395	ASPEN 9
116435	ASPEN 49	116396	ASPEN 10
116436	ASPEN 50	116397	ASPEN 11
116437	ASPEN 51	116398	ASPEN 12
116438	ASPEN 52	116399	ASPEN 13
116439	ASPEN 53	116400	ASPEN 14
116440	ASPEN 54	116401	ASPEN 15
116441	ASPEN 55	116402	ASPEN 16
116442	ASPEN 56	116403	ASPEN 17
116443	ASPEN 57	116404	ASPEN 18
116444	ASPEN 58	116405	ASPEN 19
116445	ASPEN 59	116406	ASPEN 20
116446	ASPEN 60	116407	ASPEN 21
116447	ASPEN 61	116408	ASPEN 22
116448	ASPEN 62	116409	ASPEN 23
116449	ASPEN 63	116410	ASPEN 24
116451	BUCKHORN FRACTION	116411	ASPEN 25
116452	CITIZEN FRACTION 1	116412	ASPEN 26
116453	HUMBOLDT 3	116413	ASPEN 27
116454	LAME BULL FRACTION	116414	ASPEN 28
116455	ORO	116415	ASPEN 29
116456	ORO 1	116416	ASPEN 30
116457	ORO 2	116417	ASPEN 31
116458	ORO 3	116418	ASPEN 32
116459	ORO 4	116419	ASPEN 33
116460	ORO 5	116420	ASPEN 34
		116421	ASPEN 35
		116422	ASPEN 36
		116423	ASPEN 37
		116424	ASPEN 38
		116425	ASPEN 39

BOOK 286 PAGE 421

Owner: Buckhorn Mines Company
875 Cherry Terrace
Susanville, CA 96130

BUCKHORN PROJECT
(593 Claims)
Eureka County, Nevada

BLM No

Claim Name

BLM No

Claim Name

116496
116497
116498
116499
116500
116501
116502
116503
116504
116505
116506
116507
116508
116509
116510
116511
116512
116513
116514
116515
116516
116517
116518
116519
116520
116521
116522
116523
116524
116525
116526
116527
116528
116529
116530
116531
116532
116533
116534

BUCKAROO 21
BUCKAROO 22
BUCKAROO 23
BUCKAROO 24
BUCKAROO 25
BUCKAROO 26
BUCKAROO 27
BUCKAROO 28
BUCKAROO 29
BUCKAROO 30
BUCKAROO 31
BUCKAROO 32
BUCKAROO 33
BUCKAROO 34
BUCKAROO 35
BUCKAROO 36
BUCKAROO 37
BUCKAROO 38
BUCKAROO 39
BUCKAROO 40
BUCKAROO 41
BUCKAROO 42
BUCKAROO 43
BUCKAROO 44
BUCKAROO 45
BUCKAROO 46
BUCKAROO 47
BUCKAROO 48
BUCKAROO 49
BUCKAROO 50
BUCKAROO 51
BUCKAROO 52
BUCKAROO 53
BUCKAROO 54
BUCKAROO 55
BUCKAROO 56
BUCKAROO 57
BUCKAROO 58
BUCKAROO 59

116461
116462
116463
116464
116465
116466
116467
116468
116469
116470
116471
116472
116473
116474
116476
116477
116478
116479
116480
116481
116482
116483
116484
116485
116486
116487
116488
116489
116490
116491
116492
116493
116494
116495

ORO 6
ORO 7
ORO FINO
SANTA FE FRACTION
TUFA
UP 2
UP 3
UP 4
UP 5
UP 6
UP 7
UP 8
UP 9
UP 10
BUCKAROO 1
BUCKAROO 2
BUCKAROO 3
BUCKAROO 4
BUCKAROO 5
BUCKAROO 6
BUCKAROO 7
BUCKAROO 8
BUCKAROO 9
BUCKAROO 10
BUCKAROO 11
BUCKAROO 12
BUCKAROO 13
BUCKAROO 14
BUCKAROO 15
BUCKAROO 16
BUCKAROO 17
BUCKAROO 18
BUCKAROO 19
BUCKAROO 20

BOOK 286 PAGE 422

RCV'D NSO BLM
95 AUG 17 PM 2:44

Owner: Buckhorn Mines Company
875 Cherry Terrace
Susanville, CA 96130

BUCKHORN PROJECT
(593 Claims)
Eureka County, Nevada

<u>BLM No</u>	<u>Claim Name</u>	<u>BLM No</u>	<u>Claim Name</u>
159608	FIR 17	116623	BUCKAROO 244
159609	FIR 18	116624	BUCKAROO 245
159611	FIR 20	116625	BUCKAROO 246
159612	FIR 21	116626	BUCKAROO 247
159613	FIR 22	116627	BUCKAROO 248
159615	FIR 24	116628	BUCKAROO 249
159616	FIR 25	116629	BUCKAROO 250
159617	FIR 26	116630	BUCKAROO 251
159619	FIR 28	116631	BUCKAROO 252
159620	FIR 29	116632	BUCKAROO 353
159621	FIR 30	116633	BUCKAROO 354
159623	FIR 32	116634	BUCKAROO 355
159624	FIR 33	116635	BUCKAROO 356
159625	FIR 34	116636	BUCKAROO 357
159627	FIR 36	116637	BUCKAROO 359
159630	FIR 39	116638	BUCKAROO 360
159631	FIR 40	116639	BUCKAROO 361
159632	FIR 41	116640	BUCKAROO 362
159636	FIR 45	116641	BUCKAROO 363
159638	FIR 47	116652	BUCKAROO 374
159641	FIR 50	159592	FIR 1
159642	FIR 51	159593	FIR 2
159644	FIR 53	159594	FIR 3
159647	FIR 56	159595	FIR 4
159648	FIR 57	159596	FIR 5
247024	PINON 1	159597	FIR 6
247025	PINON 2	159598	FIR 7
		159599	FIR 8
		159600	FIR 9
		159601	FIR 10
		159602	FIR 11
		159603	FIR 12
		159604	FIR 13
		159607	FIR 16

BOOK 286 PAGE 424

RCV'D NSO BLM
56 AUG 17 PM 2:44

BUCKHORN PROJECT
(593 Claims)
Eureka County, Nevada

Owner: Buckhorn Mines Company
875 Cherry Terrace
Susanville, CA 96130

Claim Name
PINON 3
PINON 4
PINON 5
PINON 6
PINON 7
PINON 8
PINON 9
PINON 10
PINON 11
PINON 12
PINON 13
PINON 15
PINON 16
PINON 17
PINON 18
PINON 19
PINON 20
PINON 21
PINON 22
PINON 23
PINON 24
PINON 25
PINON 26
PINON 33
PINON 40
PINON 54
PINON 56
PINON 57
PINON 58
PINON 59
PINON 71
PINON 72
PINON 73

BLM No
247026
247027
247028
247029
247030
247031
247032
247033
247034
247035
247036
247037
247038
247039
247040
247041
247042
247043
247044
247045
247046
247047
247048
247049
247050
247051
247053
247054
247055
247056
247058
247059
247060

Claim Name
PINON 74
PINON 88
PINON 89
PINON 90
PINON 91
CEDAR 1
CEDAR 2
CEDAR 3
CEDAR 4
CEDAR 5
CEDAR 6
CEDAR 7
CEDAR 8
CEDAR 9
CEDAR 10
CEDAR 11
CEDAR 12
CEDAR 13
SAGE 1
SAGE 2
SAGE 3
SAGE 4
SAGE 5
SAGE 6
SAGE 7
SAGE 8
SAGE 9
SAGE 10
SAGE 11
SAGE 12
SAGE 13
SAGE 14
SAGE 15
SAGE 16
SAGE 17
SAGE 18

BLM No
247061
247063
247064
247065
247066
247067
247068
247069
247070
247071
247072
247073
247074
247075
247076
247077
247078
247079
287487
287488
287489
287490
287491
287492
287493
287494
287495
287496
287497
287498
287499
287500
287501
287502
287503
287504

BOOK 286 PAGE 425

RCV'D NSO BLM
95 AUG 17 PM 2:44

Owner: Buckhorn Mines Company
 875 Cherry Terrace
 Susanville, CA 96130

RCV'D NSO BLM
 95 AUG 17 PM 2:44
 BLM # 287543

BUCKHORN PROJECT
 (593 Claims)
 Eureka County, Nevada

BLM #	Claim Name	BLM #	Claim Name	BLM #	Claim Name
287505	SAGE 128	287505	SAGE 128	368060	BUC 1
287506	SAGE 20	287506	SAGE 129	368061	BUC 2
287507	SAGE 21	287507	SAGE 130	368062	BUC 3
287508	SAGE 22	287508	SAGE 150	368063	BUC 4
287509	SAGE 23	287509	SAGE 151	368064	BUC 5
287510	SAGE 24	287510	SAGE 152	368065	BUC 6
287511	SAGE 25	287511	SAGE 153	368066	BUC 7
287512	SAGE 26	287512	NEW CITIZENS FRACTION	368067	BUC 8
287513	SAGE 27	287513		368068	BUC 9
287514	SAGE 28	287514		368069	BUC 10
287515	SAGE 100	287515		368070	BUC 11
287516	SAGE 101	287516		368071	BUC 12
287517	SAGE 102	287517	LOU 11	368072	BUC 13
287518	SAGE 103	287518	LOU 21	368073	BUC 14
287519	SAGE 104	287519	LOU 28	368074	BUC 15
287520	SAGE 105	287520		368075	BUC 16
287521	SAGE 106	287521		368076	BUC 17
287522	SAGE 107	287522		368077	BUC 18
287523	SAGE 108	287523		368078	BUC 19
287524	SAGE 109	287524		368079	BUC 20
287525	SAGE 110				
287526	SAGE 111				
287527	SAGE 112				
287528	SAGE 113				
287529	SAGE 114				
287530	SAGE 115				
287531	SAGE 116				
287532	SAGE 117				
287533	SAGE 118				
287534	SAGE 119				
287535	SAGE 120				
287536	SAGE 121				
287537	SAGE 122				
287538	SAGE 123				
287539	SAGE 124				
287540	SAGE 125				
287541	SAGE 126				
287542	SAGE 127				

Owner: Buckhorn Mines Company
875 Cherry Terrace
Susanville, CA 96130

BUCKHORN PROJECT
(593 Claims)
Eureka County, Nevada

BLM No

Claim Name

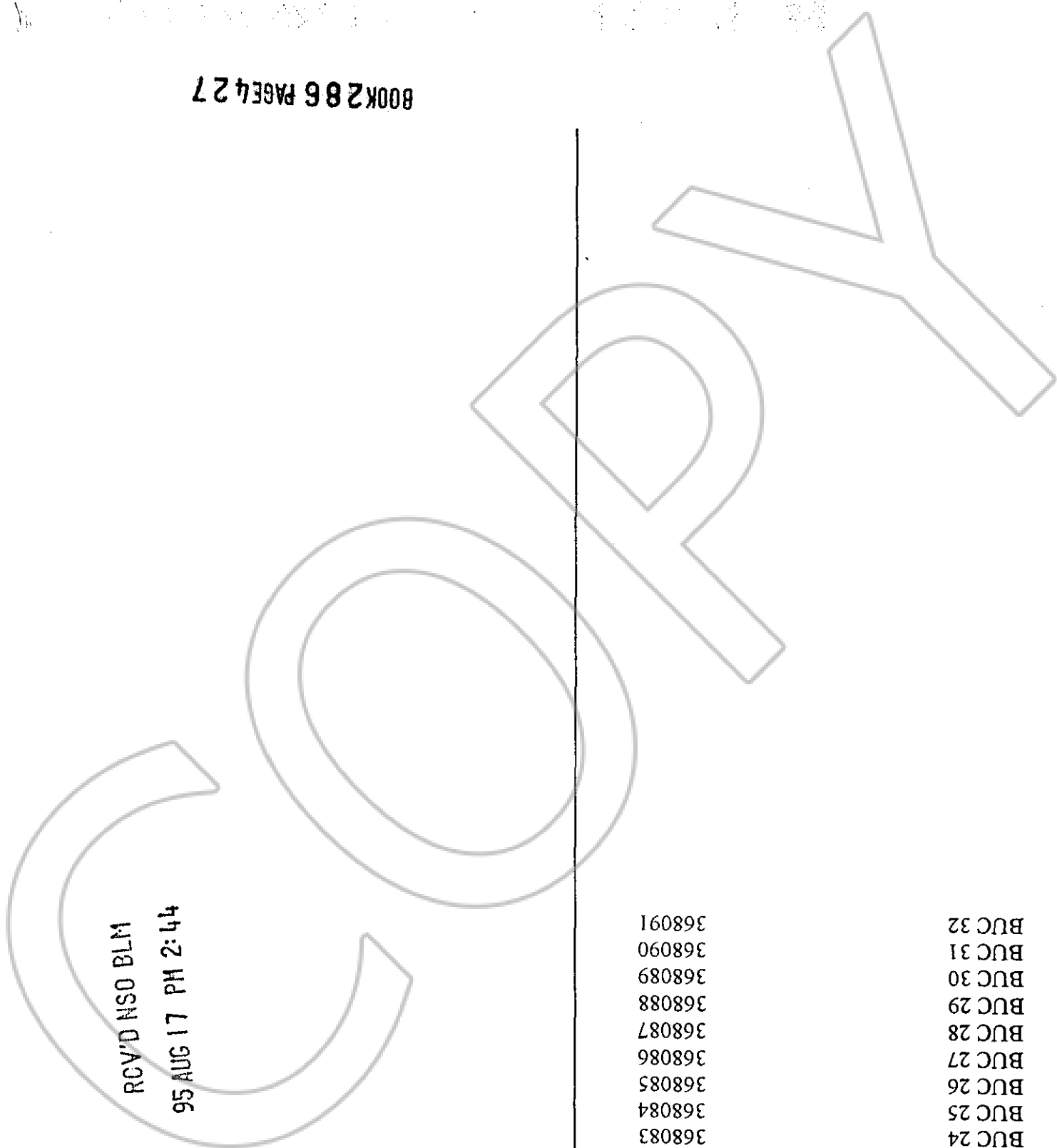
BLM No

Claim Name

368080	BUC 21
368081	BUC 22
368082	BUC 23
368083	BUC 24
368084	BUC 25
368085	BUC 26
368086	BUC 27
368087	BUC 28
368088	BUC 29
368089	BUC 30
368090	BUC 31
368091	BUC 32

RCV'D NSO BLM
95 AUG 17 PH 2:44

BOOK 286 PAGE 427



Owner: Pathfinder Exploration Corporation
255 Glendale Avenue, Suite 26
Sparks, Nevada 89431

BUCKHORN PROJECT
(593 Claims)
Eureka County, Nevada

BLM No

Claim Name

BLM No

Claim Name

698183
698184
698185
698186
698187
698188
698189
698190
698191
698192
698193
698194
698195
698196
698197
698198
698199
698200
698201
698202
698203
698204
698205
698206
698207
698208
698209

RHY 40
RHY 41
RHY 42
RHY 43
RHY 44
RHY 45
RHY 46
RHY 47
RHY 48
RHY 49
RHY 50
RHY 51
RHY 52
RHY 53
RHY 54
RHY 55
RHY 56
RHY 57
RHY 58
RHY 59
RHY 60
RHY 61
RHY 62
RHY 63
RHY 64
RHY 65
RHY 66

698144
698145
698146
698147
698148
698149
698150
698151
698152
698153
698154
698155
698156
698157
698158
698159
698160
698161
698162
698163
698164
698165
698166
698167
698168
698169
698170
698171
698172
698173
698174
698175
698176
698177
698178
698179
698180
698181
698182

RHY 1
RHY 2
RHY 3
RHY 4
RHY 5
RHY 6
RHY 7
RHY 8
RHY 9
RHY 10
RHY 11
RHY 12
RHY 13
RHY 14
RHY 15
RHY 16
RHY 17
RHY 18
RHY 19
RHY 20
RHY 21
RHY 22
RHY 23
RHY 24
RHY 25
RHY 26
RHY 27
RHY 28
RHY 29
RHY 30
RHY 31
RHY 32
RHY 33
RHY 34
RHY 35
RHY 36
RHY 37
RHY 38
RHY 39

BOOK 286 PAGE 428

RCV'D NSO BLM

95 AUG 17 PM 2:44

BUCKHORN PROJECT
(593 Claims)
Eureka County, Nevada

Owner: Pathfinder Exploration Corporation
255 Glendale Avenue, Suite 26
Sparks, Nevada 89431

EXHIBIT A
Page 9

Claim Name

BLM No

Claim Name

BLM No

BJO 19
BJO 20
BJO 21
BJO 22
BJO 23
BJO 24
BJO 25
BJO 26
BJO 27
BJO 28
BJO 29
BJO 30
BJO 31
BJO 32
BJO 33
BJO 34
BJO 35
BJO 36
BJO 37
BJO 38
BJO 39
BJO 40
BJO 41
BJO 42
BJO 43
BJO 44
BJO 45
BJO 46
BJO 47
BJO 48
BJO 49
BJO 50
BJO 51
BJO 52

700703
700704
700705
700706
700707
700708
700709
700710
700711
700712
700713
700714
700715
700716
700717
700718
700719
700720
700721
700722
700723
700724
700725
700726
700727
700728
700729
700730
700731
700732
700733
700734
700735
700736

JAB 5
JAB 6
JAB 7
JAB 8
JAB 9
JAB 10
JAB 11
JAB 12

702373
702374
702375
702376
702377
702378
702379
702380

BE 1
BE 2
BE 3
BE 4
BE 5
BE 6
BE 29
BE 30
BE 31
BE 32
BE 33
BE 34
BE 57
BE 58
BE 59
BE 60
BE 61
BE 62
BE 63
BE 64
BE 65
BE 66
BE 67
BE 68
BE 69
BE 70
BE 71
BE 72

713207
713208
713209
713210
713211
713212
713213
713214
713215
713216
713217
713218

713219
713220
713221
713222
713223
713224
713225
713226
713227
713228
713229
713230
713231
713232
713233
713234

RCV'D NSO BLM
95 AUG 17 PM 2:44

BOOK 286 PAGE 429

Owner: Pathfinder Exploration Corporation
255 Glendale Avenue, Suite 26
Sparks, Nevada 89431

BUCKHORN PROJECT
(593 Claims)
Eureka County, Nevada

BLM No

Claim Name

BLM No

Claim Name

RCV'D NSO BLM
95 AUG 17 PM 2:45

713235	BE 73
713236	BE 74
713237	BE 75
713238	BE 76
713239	BE 77
713240	BE 78
713242	BE 79
713242	BE 80
713243	BE 81
713244	BE 82
713245	BE 83
713146	BE 84
713247	BE 85
713248	BE 85
713249	BE 99
713250	BE 100
713251	BE 101
713252	BE 102

BOOK 286
PAGE 420
OFFICIAL RECORDS
RECORDED AT THE REQUEST OF
Pathfinder Exploration
95 SEP 21 PM 1:24
EUREKA COUNTY NEVADA
M.N. REBAL EATI. RECORDER
FILE NO. 159040
FEES \$2075.50

BOOK 286 PAGE 430

