

AFFIDAVIT AND NOTICE OF INTENT TO HOLD MINING CLAIMS AND SITES

State of Nevada)
County of Elko)
ss.)

David R. Faley, first being duly sworn, deposes and says:

I am the duly authorized agent of NEWMONT GOLD COMPANY, a Delaware corporation ("Newmont"), and am personally acquainted with the matters described herein.

Newmont, whose address is 555 Fifth Street, Elko, Nevada, 89801, owns in whole, owns as a tenant in common, leases or otherwise controls the unpatented mining claims described in Exhibit A attached hereto (the "Claims"). Exhibit B attached hereto identifies the owner of each of the Claims.

It is the intention of Newmont (and of the other owners of those Claims which Newmont does not own in whole) to maintain and develop the Claims as is provided for by law, and to hold the same to and through 11:59 a.m., September 1, 1995.

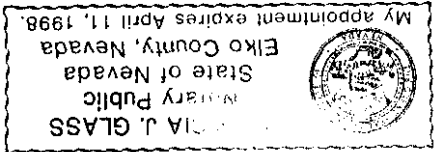
Newmont has paid a maintenance fee of \$100 and met the Federal fee requirements for each of the Claims for the assessment year ending September 1, 1995, as required by Public Law 103-66, 107 Stat. 312 and 43 C.F.R. Part 3830 (and, to the extent applicable to any of the Claims, the Act of August 11, 1955, 69 Stat. 681 and 43 C.F.R. Part 3730, and the Act of April 8, 1948, 62 Stat. 162 and 43 C.F.R. Subpart 3821) in lieu of the suspended assessment work and filing requirements of 30 U.S.C. § 28-28e and 43 U.S.C. § 1744(a) and (c). This affidavit is made pursuant to N.R.S. § 517.230.

[Signature]
David R. Faley

Subscribed and sworn to before me on this 23 day of October, 1995, by David R. Faley

[Signature]
Notary Public

April 11, 1998



BOOK 288 PAGES 13

NGC/NG&H/DV - 1994-1995.AFD

My commission expires:

EXHIBIT A

Company Name : NEWMONT GOLD COMPANY
State : NEVADA
Project : HIGH DESERT JV

Block Name : HIGH DESERT-NGC JV

| Lead File | BLM Serial # | Claim Name | County | Book & Page Or Document # | Amended Book & Page or Document # | TWP | RGE | SEC | QTR | Meridian |
|-----------|--------------|------------|--------|---------------------------|-----------------------------------|-----|-----|-----|-----|----------|
| NMC 11154 | | | | | | | | | | |
| NMC 11154 | POLAR #1 | EUREKA | 54 | 385 | 35N | 50E | 12 | NW | MDM | |
| NMC 11155 | POLAR #2 | EUREKA | 54 | 386 | 35N | 50E | 12 | NE | MDM | |
| NMC 11156 | POLAR #3 | EUREKA | 54 | 387 | 35N | 50E | 12 | NW | MDM | |
| NMC 11157 | POLAR #4 | EUREKA | 54 | 388 | 35N | 50E | 12 | NE | MDM | |
| NMC 11158 | POLAR #5 | EUREKA | 54 | 389 | 35N | 50E | 12 | NE | MDM | |
| NMC 11159 | POLAR #6 | EUREKA | 54 | 390 | 35N | 50E | 12 | NE | MDM | |
| NMC 11160 | POLAR #7 | EUREKA | 54 | 391 | 35N | 50E | 12 | NE | MDM | |
| NMC 11161 | POLAR #8 | EUREKA | 54 | 392 | 35N | 50E | 12 | SE | MDM | |
| NMC 11162 | POLAR #9 | EUREKA | 54 | 393 | 35N | 50E | 12 | NE | MDM | |
| NMC 11163 | POLAR #10 | EUREKA | 54 | 394 | 35N | 50E | 12 | SE | MDM | |
| NMC 11164 | POLAR #11 | EUREKA | 54 | 395 | 35N | 50E | 13 | NE | MDM | |
| NMC 11165 | POLAR #12 | EUREKA | 54 | 396 | 35N | 50E | 12 | SE | MDM | |
| NMC 11166 | POLAR #13 | EUREKA | 54 | 397 | 35N | 50E | 13 | NE | MDM | |
| NMC 11167 | POLAR #14 | EUREKA | 54 | 398 | 35N | 50E | 12 | SE | MDM | |
| NMC 11168 | POLAR #15 | EUREKA | 54 | 399 | 35N | 50E | 11 | NE | MDM | |
| NMC 11169 | POLAR #16 | EUREKA | 54 | 400 | 35N | 50E | 11 | NW | MDM | |
| NMC 11170 | POLAR #17 | EUREKA | 54 | 401 | 35N | 50E | 11 | NE | MDM | |

BOOK 288 PAGES 14

EXHIBIT A

Company Name : NEWMONT GOLD COMPANY
State : NEVADA
Project : HIGH DESERT JV

Block Name : HIGH DESERT-NGC JV

| Lead File | BLM Serial # | Claim Name | County | Book & Page Or Document # | Amended Book & Page or Document # | TWP | RGE | SEC | QTR | Meridian |
|-----------|--------------------|------------|--------|---------------------------|-----------------------------------|-----|-----|-----|-----|----------|
| NMC 11171 | POLAR #18 | EUREKA | 54 | 402 | 35N | 50E | 11 | NE | MDM | |
| NMC 11172 | POLAR #19 | EUREKA | 54 | 403 | 35N | 50E | 11 | NW | MDM | |
| NMC 11173 | POLAR #20 | EUREKA | 54 | 404 | 35N | 50E | 11 | SE | MDM | |
| NMC 11174 | CRACKER JACK | EUREKA | 0 | 23 | 35N | 50E | 10 | NE | MDM | |
| NMC 11175 | CRACKER JACK NO. 1 | EUREKA | 0 | 24 | 35N | 50E | 10 | SE | MDM | |
| NMC 11176 | CRACKER JACK NO. 2 | EUREKA | 0 | 25 | 35N | 50E | 10 | NW | MDM | |
| NMC 11177 | CRACKER JACK NO. 3 | EUREKA | 0 | 26 | 35N | 50E | 10 | SW | MDM | |
| NMC 11178 | CRACKER JACK NO. 4 | EUREKA | 0 | 27 | 35N | 50E | 10 | NW | MDM | |
| NMC 11179 | CRACKER JACK NO. 5 | EUREKA | 0 | 28 | 35N | 50E | 10 | SW | MDM | |
| NMC 11182 | YELLOW ROSE NO. 8 | EUREKA | 0 | 31 | 35N | 50E | 11 | SE | MDM | |
| NMC 11183 | YELLOW ROSE NO. 9 | EUREKA | 0 | 32 | 35N | 50E | 11 | SW | MDM | |
| NMC 11184 | YELLOW ROSE NO. 10 | EUREKA | 0 | 33 | 35N | 50E | 11 | SE | MDM | |
| NMC 11185 | YELLOW ROSE NO. 11 | EUREKA | 0 | 34 | 35N | 50E | 11 | SW | MDM | |
| NMC 11186 | YELLOW ROSE NO. 12 | EUREKA | 0 | 35 | 35N | 50E | 11 | NW | MDM | |
| NMC 11187 | YELLOW ROSE NO. 13 | EUREKA | 0 | 36 | 35N | 50E | 02 | SW | MDM | |
| NMC 11188 | YELLOW ROSE NO. 14 | EUREKA | 0 | 37 | 35N | 50E | 11 | NW | MDM | |
| NMC 11189 | YELLOW ROSE NO. 15 | EUREKA | 0 | 38 | 35N | 50E | 02 | SW | MDM | |
| | | EUREKA | 0 | | 35N | 50E | 11 | NW | MDM | |

BOOK 288 PAGES 15

EXHIBIT A

Company Name : NEWMONT GOLD COMPANY
State : NEVADA
Project : HIGH DESERT JV

Block Name : HIGH DESERT-NGC JV

| Lead File | BLM Serial # | Claim Name | County | Book & Page Or Document # | Amended Book & Page or Document # | TWP | RGE | SEC | QTR | Meridian |
|-----------|--------------------|------------|--------|---------------------------|-----------------------------------|-----|-----|-----|-----|----------|
| NMC 11190 | YELLOW ROSE NO. 16 | EUREKA | 0 | 39 | 35N | 50E | 11 | NW | MDM | |
| NMC 11191 | YELLOW ROSE NO. 17 | EUREKA | 0 | 40 | 35N | 50E | 11 | SW | MDM | |
| NMC 11192 | YELLOW ROSE NO. 18 | EUREKA | 0 | 41 | 35N | 50E | 11 | SW | MDM | |
| NMC 11193 | YELLOW ROSE NO. 19 | EUREKA | 0 | 42 | 35N | 50E | 11 | NW | MDM | |
| NMC 11194 | YELLOW ROSE NO. 20 | EUREKA | 0 | 43 | 35N | 50E | 11 | SW | MDM | |
| NMC 11195 | YELLOW ROSE NO. 21 | EUREKA | 0 | 44 | 35N | 50E | 02 | SW | MDM | |
| NMC 11196 | BIG JIM | EUREKA | 0 | 45 | 35N | 50E | 11 | NW | MDM | |
| NMC 11197 | BIG JIM NO. 1 | EUREKA | 0 | 46 | 35N | 50E | 02 | SW | MDM | |
| NMC 11198 | BIG JIM NO. 2 | EUREKA | 0 | 47 | 35N | 50E | 10 | NE | MDM | |
| NMC 11199 | BIG JIM NO. 3 | EUREKA | 0 | 48 | 35N | 50E | 10 | NE | MDM | |
| NMC 11200 | BIG JIM NO. 4 | EUREKA | 0 | 49 | 35N | 50E | 10 | NE | MDM | |
| NMC 11201 | BIG JIM NO. 5 | EUREKA | 0 | 50 | 35N | 50E | 10 | NE | MDM | |
| NMC 11202 | BIG JIM NO. 6 | EUREKA | 0 | 51 | 35N | 50E | 10 | NW | MDM | |
| NMC 11203 | BIG JIM NO. 7 | EUREKA | 0 | 52 | 35N | 50E | 10 | NW | MDM | |
| NMC 11204 | BIG JIM NO. 8 | EUREKA | 0 | 53 | 35N | 50E | 10 | NW | MDM | |
| NMC 11205 | BIG JIM NO. 9 | EUREKA | 0 | 54 | 35N | 50E | 10 | SW | MDM | |
| NMC 11206 | BIG JIM NO. 10 | EUREKA | 0 | 55 | 35N | 50E | 10 | NW | MDM | |
| | | | | | | | 10 | NE | MDM | |
| | | | | | | | 10 | SW | MDM | |
| | | | | | | | 10 | NW | MDM | |
| | | | | | | | 10 | SW | MDM | |
| | | | | | | | 10 | SE | MDM | |

BOOK 288 PAGES 16

EXHIBIT A

Company Name : NEWMONT GOLD COMPANY
State : NEVADA
Project : HIGH DESERT JV

Block Name : HIGH DESERT-NGC JV

| Lead File | BLM Serial # | Claim Name | County | Book & Page Or Document # | Amended Book & Page Or Document # | TWP | RGE | SEC | QTR | Meridian |
|-----------|----------------|------------|--------|---------------------------|-----------------------------------|-----|-----|-----|-----|----------|
| NMC 11207 | BIG JIM NO. 11 | EUREKA | 0 | 56 | 35N | 50E | 10 | NE | MDM | |
| NMC 11208 | BIG JIM NO. 12 | EUREKA | 0 | 57 | 35N | 50E | 10 | SE | MDM | |
| NMC 11209 | BIG JIM NO. 13 | EUREKA | 0 | 58 | 35N | 50E | 10 | NE | MDM | |
| NMC 11210 | BIG JIM NO. 14 | EUREKA | 0 | 59 | 35N | 50E | 10 | SE | MDM | |
| NMC 11211 | BIG JIM NO. 15 | EUREKA | 0 | 60 | 35N | 50E | 11 | NW | MDM | |
| NMC 11212 | BIG JIM NO. 16 | EUREKA | 0 | 61 | 35N | 50E | 11 | NW | MDM | |
| NMC 11213 | BIG JIM NO. 17 | EUREKA | 0 | 62 | 35N | 50E | 11 | SW | MDM | |
| NMC 11214 | BIG JIM NO. 18 | EUREKA | 0 | 63 | 35N | 50E | 10 | SE | MDM | |
| NMC 11215 | BIG JIM NO. 19 | EUREKA | 0 | 64 | 35N | 50E | 10 | SE | MDM | |
| NMC 11216 | BIG JIM NO. 20 | EUREKA | 0 | 65 | 35N | 50E | 10 | SE | MDM | |
| NMC 11217 | BIG JIM NO. 21 | EUREKA | 0 | 66 | 35N | 50E | 10 | SW | MDM | |
| NMC 11218 | BIG JIM NO. 22 | EUREKA | 0 | 67 | 35N | 50E | 10 | SE | MDM | |
| NMC 11219 | BIG JIM NO. 23 | EUREKA | 0 | 68 | 35N | 50E | 10 | SW | MDM | |
| NMC 11220 | BIG JIM NO. 24 | EUREKA | 0 | 69 | 35N | 50E | 10 | SW | MDM | |
| NMC 11221 | BIG JIM NO. 25 | EUREKA | 0 | 70 | 35N | 50E | 10 | SW | MDM | |
| NMC 11222 | BIG JIM NO. 26 | EUREKA | 0 | 71 | 35N | 50E | 10 | SW | MDM | |
| NMC 11223 | BIG JIM NO. 27 | EUREKA | 0 | 72 | 35N | 50E | 10 | SE | MDM | |
| NMC 11224 | BIG JIM NO. 28 | EUREKA | 0 | 73 | 35N | 50E | 10 | SE | MDM | |

BOOK 288 PAGES 17

EXHIBIT A

Company Name : NEWMONT GOLD COMPANY
State : NEVADA
Project : HIGH DESERT JV

Block Name : HIGH DESERT-NGC JV

| Lead File | BLM Serial # | Claim Name | County | Book & Page or Document # | Amended Book & Page or Document # | TWP | RGE | SEC | QTR | Meridian |
|-----------|--------------|-------------------------|--------|---------------------------|-----------------------------------|-----|-----|-----|-----|----------|
| NMC 11225 | | BIG JIM NO. 29 | EUREKA | 0 | 74 | 35N | 50E | 10 | SE | MDM |
| NMC 11228 | | HILL TOP FRACTION NO. 2 | EUREKA | 9 | 484 | 35N | 50E | 11 | SE | MDM |
| NMC 11229 | | HILL TOP FRACTION NO. 3 | EUREKA | 9 | 486 | 35N | 50E | 12 | NW | MDM |
| NMC 11230 | | HILL TOP FRACTION NO. 4 | EUREKA | 9 | 488 | 35N | 50E | 12 | SW | MDM |
| NMC 11231 | | HILL TOP | EUREKA | C | 232 | 35N | 50E | 11 | SE | MDM |
| NMC 11232 | | HILL TOP NO. 1 | EUREKA | C | 233 | 35N | 50E | 12 | NW | MDM |
| NMC 11233 | | HILL TOP NO. 2 | EUREKA | C | 234 | 35N | 50E | 12 | NW | MDM |
| NMC 11234 | | HILL TOP FRACTION | EUREKA | C | 428 | 35N | 50E | 11 | NE | MDM |
| NMC 11235 | | HILL TOP FRACTION NO. 1 | EUREKA | C | 429 | 35N | 50E | 12 | NW | MDM |
| NMC 11236 | | PARAGON FRACTION | EUREKA | M | 215 | 35N | 50E | 11 | SE | MDM |
| NMC 11237 | | PARAGON NO. 1 | EUREKA | M | 216 | 35N | 50E | 12 | SW | MDM |
| NMC 11238 | | PARAGON NO. 2 | EUREKA | M | 217 | 35N | 50E | 12 | SW | MDM |
| NMC 11239 | | PARAGON NO. 3 | EUREKA | M | 217 | 35N | 50E | 12 | SE | MDM |
| NMC 11240 | | UNITY NO. 1 | EUREKA | H | 247 | 35N | 50E | 12 | SW | MDM |
| NMC 11241 | | UNITY NO. 2 | EUREKA | H | 247 | 35N | 50E | 12 | SW | MDM |
| NMC 11242 | | LAMIRA | EUREKA | D | 393 | 35N | 50E | 12 | NE | MDM |
| NMC 11243 | | BADGER | EUREKA | G | 422 | 35N | 50E | 12 | NW | MDM |

BOOK 288 PAGE 518

EXHIBIT A

Company Name : NEWMONT GOLD COMPANY
State : NEVADA
Project : HIGH DESERT JV

Block Name : HIGH DESERT-NGC JV

| Lead File | BLM Serial # | Claim Name | County | Book & Page Or Document # | Amended Book & Page or Document # | TWP | RGE | SEC | QTR | Meridian |
|-----------|--------------|------------------|--------|---------------------------|-----------------------------------|-----|-----|-----|-----|----------|
| NMC 11244 | | BADGER NO. 1 | EUREKA | G 423 | H 260 | 35N | 50E | 12 | SH | MDM |
| NMC 11245 | | COMPROMISE NO. 4 | EUREKA | C 260 | H 261 | 35N | 50E | 12 | SE | MDM |
| NMC 11442 | | COMPROMISE NO. 5 | EUREKA | C 218 | H 262 | 35N | 50E | 12 | NE | MDM |
| NMC 11443 | | COMPROMISE NO. 6 | EUREKA | C 219 | H 262 | 35N | 50E | 12 | NW | MDM |
| NMC 11444 | | COMPROMISE NO. 7 | EUREKA | C 220 | H 263 | 35N | 50E | 12 | SW | MDM |
| NMC 11445 | | JUNCTION | EUREKA | H 330 | | 35N | 50E | 12 | NW | MDM |
| NMC 13741 | | RJV | EUREKA | 62 318 | | 35N | 50E | 13 | SW | MDM |
| NMC 27470 | | DIXIE LEA | EUREKA | 29 200 | | 35N | 51E | 11 | NW | MDM |
| NMC 27471 | | DIXIE LEA NO. 1 | EUREKA | 29 201 | | 35N | 51E | 07 | SH | MDM |
| NMC 27472 | | BACK PAY | EUREKA | 29 187 | | 35N | 50E | 18 | NW | MDM |

BOOK 288 PAGE 519

Company Name : NEMMONT GOLD COMPANY
State : NEVADA
Project : HIGH DESERT JV

EXHIBIT A

Block Name : HIGH DESERT-NGC JV

| Lead File | BLM Serial # | Claim Name | County | Book & Page Or Document # | Amended Book & Page or Document # | TWP | RGE | SEC | QTR | Meridian |
|------------|----------------|------------|--------|---------------------------|-----------------------------------|-----|-----|-----|-----|----------|
| NMC 27473 | BACK PAY NO. 1 | EUREKA | 29 | 188 | 35N | 50E | 12 | NE | MDM | |
| NMC 72752 | | EUREKA | 71 | 111 | 35N | 51E | 18 | NW | MDM | |
| NMC 72757 | BIG JIM #30 | EUREKA | 71 | 111 | 35N | 50E | 10 | SE | MDM | |
| NMC 72758 | BIG JIM #31 | EUREKA | 71 | 112 | 35N | 50E | 11 | SW | MDM | |
| NMC 92823 | JOE | EUREKA | 73 | 367 | 35N | 50E | 10 | SW | MDM | |
| NMC 92824 | DON | EUREKA | 73 | 368 | 35N | 50E | 10 | NW | MDM | |
| NMC 244744 | | EUREKA | 103 | 49 | 35N | 50E | 12 | NW | MDM | |
| NMC 244745 | LUDWIG EXP. #1 | EUREKA | 103 | 50 | 35N | 50E | 12 | NE | MDM | |
| NMC 244746 | LUDWIG EXP. #2 | EUREKA | 103 | 51 | 35N | 51E | 18 | NW | MDM | |
| NMC 244747 | LUDWIG EXP. #3 | EUREKA | 103 | 52 | 35N | 51E | 18 | NE | MDM | |
| NMC 312914 | LUDWIG EXP. #4 | EUREKA | 124 | 386 | 35N | 51E | 18 | NW | MDM | |
| NMC 333061 | LDX #1 | EUREKA | 132 | 241 | 35N | 50E | 12 | NE | MDM | |
| NMC 333062 | BM #1 | EUREKA | 132 | 242 | 35N | 50E | 12 | NE | MDM | |
| NMC 333063 | BM #2 | EUREKA | 132 | 243 | 35N | 50E | 12 | NE | MDM | |
| NMC 333064 | BM #3 | EUREKA | 132 | 244 | 35N | 50E | 12 | NE | MDM | |
| NMC 333065 | BM #4 | EUREKA | 132 | 245 | 35N | 50E | 12 | SE | MDM | |
| NMC 372458 | BM #5 | EUREKA | 132 | 245 | 35N | 50E | 12 | SE | MDM | |
| NMC 372458 | BM #6 | EUREKA | 147 | 79 | 35N | 50E | 11 | SW | MDM | |

BOOK 288 PAGE 520

REPORT : EXHIBITA

Company Name : NEWMONT GOLD COMPANY
State : NEVADA
Project : HIGH DESERT JV

EXHIBIT A

Block Name : HIGH DESERT-NGC JV

| Lead File | BLM Serial # | Claim Name | County | Book & Page Or Document # | Amended Book & Page or Document # | TWP | RGE | SEC | QTR | Meridian |
|------------|--------------|------------|--------|---------------------------|-----------------------------------|-----|-----|-----|-----|----------|
| NMC 372459 | BM #7 | | EUREKA | 147 | 80 | 35N | 50E | 11 | SW | MDM |
| NMC 372460 | BM #8 | | EUREKA | 147 | 81 | 35N | 50E | 11 | SW | MDM |
| NMC 520254 | GDX 105 | | EUREKA | 184 | 340 | 35N | 51E | 18 | NW | MDM |
| NMC 520255 | GDX 106 | | EUREKA | 184 | 341 | 35N | 51E | 18 | NW | MDM |
| NMC 520256 | GDX 107 | | EUREKA | 184 | 342 | 35N | 51E | 18 | NW | MDM |
| NMC 520257 | GDX 108 | | EUREKA | 184 | 343 | 35N | 51E | 18 | NW | MDM |
| NMC 520258 | GDX 109 | | EUREKA | 184 | 344 | 35N | 51E | 18 | NW | MDM |
| NMC 529076 | GDE-110 | | EUREKA | 184 | 540 | 35N | 51E | 18 | NE | MDM |
| NMC 529077 | GDE-111 | | EUREKA | 184 | 541 | 35N | 51E | 07 | SE | MDM |
| NMC 529078 | GDE-112 | | EUREKA | 184 | 542 | 35N | 51E | 18 | NE | MDM |
| NMC 529079 | GDE-113 | | EUREKA | 184 | 543 | 35N | 51E | 07 | SE | MDM |
| NMC 529080 | GDE-114 | | EUREKA | 184 | 544 | 35N | 51E | 18 | NE | MDM |
| | | | | | | | | 07 | SE | MDM |
| | | | | | | | | 07 | SE | MDM |
| | | | | | | | | 18 | NE | MDM |
| | | | | | | | | 07 | SW | MDM |
| | | | | | | | | 18 | NE | MDM |
| | | | | | | | | 18 | NW | MDM |

BOOK 288 PAGE 521

REPORT : EXHIBIT A

Company Name : NEMMONT GOLD COMPANY
State : NEVADA
Project : HIGH DESERT JV

Block Name : HIGH DESERT-NGC JV

| Lead File | BLM Serial # | Claim Name | County | Book & Page Or Document # | Amended Book & Page or Document # | TWP | RGE | SEC | QTR | Meridian |
|------------|--------------|------------|--------|---------------------------|-----------------------------------|-----|-----|-----|-----|----------|
| NMC 529717 | | GDX-201 | EUREKA | 191 | 166 | 33N | 50E | 22 | SE | MDM |
| NMC 529718 | | GDX-202 | EUREKA | 191 | 167 | 33N | 50E | 22 | SE | MDM |
| NMC 529719 | | GDX-203 | EUREKA | 191 | 168 | 33N | 50E | 22 | SE | MDM |
| NMC 529720 | | GDX-204 | EUREKA | 191 | 169 | 33N | 50E | 22 | SE | MDM |
| NMC 529721 | | GDX-205 | EUREKA | 191 | 170 | 33N | 50E | 22 | SE | MDM |
| NMC 529722 | | GDX-206 | EUREKA | 191 | 171 | 33N | 50E | 22 | SW | MDM |
| NMC 529723 | | GDX-207 | EUREKA | 191 | 172 | 33N | 50E | 22 | SW | MDM |
| NMC 529724 | | GDX-208 | EUREKA | 191 | 173 | 33N | 50E | 22 | SW | MDM |
| NMC 529725 | | GDX-209 | EUREKA | 191 | 174 | 33N | 50E | 22 | SW | MDM |
| NMC 529726 | | GDX-210 | EUREKA | 191 | 175 | 33N | 50E | 22 | SE | MDM |
| NMC 529727 | | GDX-211 | EUREKA | 191 | 176 | 33N | 50E | 22 | SE | MDM |
| NMC 529728 | | GDX-212 | EUREKA | 191 | 177 | 33N | 50E | 22 | SE | MDM |
| NMC 529729 | | GDX-213 | EUREKA | 191 | 178 | 33N | 50E | 22 | SE | MDM |
| NMC 529730 | | GDX-214 | EUREKA | 191 | 179 | 33N | 50E | 22 | SE | MDM |
| NMC 529731 | | GDX-215 | EUREKA | 191 | 180 | 33N | 50E | 22 | SE | MDM |
| NMC 529732 | | GDX-216 | EUREKA | 191 | 181 | 33N | 50E | 22 | SW | MDM |
| NMC 529733 | | GDX-217 | EUREKA | 191 | 182 | 33N | 50E | 22 | SW | MDM |
| NMC 529734 | | GDX-218 | EUREKA | 191 | 183 | 33N | 50E | 22 | SW | MDM |
| NMC 529735 | | GDX-219 | EUREKA | 191 | 184 | 33N | 50E | 22 | SW | MDM |
| NMC 529736 | | GDX-220 | EUREKA | 191 | 185 | 33N | 50E | 28 | SE | MDM |
| NMC 529737 | | GDX-221 | EUREKA | 191 | 186 | 33N | 50E | 28 | SE | MDM |
| NMC 529738 | | GDX-222 | EUREKA | 191 | 187 | 33N | 50E | 28 | SW | MDM |
| NMC 529739 | | GDX-223 | EUREKA | 191 | 188 | 33N | 50E | 28 | SW | MDM |
| NMC 529740 | | GDX-224 | EUREKA | 191 | 189 | 33N | 50E | 28 | SW | MDM |
| NMC 529741 | | GDX-225 | EUREKA | 191 | 190 | 33N | 50E | 28 | SW | MDM |
| NMC 529742 | | GDX-226 | EUREKA | 191 | 191 | 33N | 50E | 28 | SE | MDM |
| NMC 529743 | | GDX-227 | EUREKA | 191 | 192 | 33N | 50E | 28 | SE | MDM |

BOOK 288 PAGES 22

EXHIBIT A

Company Name : NEWMONT GOLD COMPANY
State : NEVADA
Project : HIGH DESERT JV

Block Name : HIGH DESERT-NGC JV

| Lead File | BLM Serial # | Claim Name | County | Book & Page or Document # | Amended Book & Page or Document # | TWP | RGE | SEC | QTR | Meridian |
|-----------|--------------|------------|--------|---------------------------|-----------------------------------|-----|-----|-----|-----|----------|
| NMC | 529744 | GDX-228 | EUREKA | 191 | 193 | 33N | 50E | 28 | SE | MDM |
| NMC | 529745 | GDX-229 | EUREKA | 191 | 194 | 33N | 50E | 28 | SW | MDM |
| NMC | 529746 | GDX-230 | EUREKA | 191 | 195 | 33N | 50E | 28 | SW | MDM |
| NMC | 529747 | GDX-231 | EUREKA | 191 | 196 | 33N | 50E | 28 | SW | MDM |
| NMC | 529748 | GDX-232 | EUREKA | 191 | 197 | 33N | 50E | 28 | SW | MDM |
| NMC | 529749 | GDX-233 | EUREKA | 191 | 198 | 33N | 50E | 28 | NE | MDM |
| NMC | 529750 | GDX-234 | EUREKA | 191 | 199 | 33N | 50E | 28 | NE | MDM |
| NMC | 529751 | GDX-235 | EUREKA | 191 | 200 | 33N | 50E | 28 | NE | MDM |
| NMC | 529752 | GDX-236 | EUREKA | 191 | 201 | 33N | 50E | 28 | NW | MDM |
| NMC | 529753 | GDX-237 | EUREKA | 191 | 202 | 33N | 50E | 28 | NW | MDM |
| NMC | 529754 | GDX-238 | EUREKA | 191 | 203 | 33N | 50E | 28 | NW | MDM |
| NMC | 529755 | GDX-239 | EUREKA | 191 | 204 | 33N | 50E | 28 | NW | MDM |
| NMC | 529756 | GDX-240 | EUREKA | 191 | 205 | 33N | 50E | 28 | NE | MDM |
| NMC | 529757 | GDX-241 | EUREKA | 191 | 206 | 33N | 50E | 28 | NE | MDM |
| NMC | 529758 | GDX-242 | EUREKA | 191 | 207 | 33N | 50E | 28 | NE | MDM |
| NMC | 529759 | GDX-243 | EUREKA | 191 | 208 | 33N | 50E | 28 | NW | MDM |
| NMC | 529760 | GDX-244 | EUREKA | 191 | 209 | 33N | 50E | 28 | NW | MDM |
| NMC | 529761 | GDX-245 | EUREKA | 191 | 210 | 33N | 50E | 28 | NW | MDM |
| NMC | 529762 | GDX-246 | EUREKA | 191 | 211 | 33N | 50E | 28 | NW | MDM |
| NMC | 529767 | GDX-251 | EUREKA | 191 | 216 | 35N | 51E | 16 | NW | MDM |
| NMC | 529768 | GDX-252 | EUREKA | 191 | 217 | 35N | 51E | 16 | NW | MDM |
| NMC | 529769 | GDX-253 | EUREKA | 191 | 218 | 35N | 51E | 10 | NE | MDM |
| NMC | 529770 | GDX-254 | EUREKA | 191 | 219 | 35N | 51E | 10 | NE | MDM |
| NMC | 529771 | GDX-255 | EUREKA | 191 | 220 | 35N | 51E | 36 | SE | MDM |
| NMC | 529772 | GDX-256 | EUREKA | 191 | 221 | 35N | 51E | 36 | SE | MDM |
| NMC | 529773 | GDX-257 | EUREKA | 191 | 222 | 35N | 51E | 36 | SE | MDM |
| NMC | 529774 | GDX-258 | EUREKA | 191 | 223 | 35N | 51E | 36 | SE | MDM |
| NMC | 529775 | GDX-259 | EUREKA | 191 | 224 | 35N | 51E | 36 | SE | MDM |

BOOK 288 PAGE 523

REPORT : EXHIBITA

Company Name : NEWMONT GOLD COMPANY
 State : NEVADA
 Project : HIGH DESERT JV

EXHIBIT A

Block Name : HIGH DESERT-NGC JV

| Lead File | BLM Serial # | Claim Name | County | Book & Page Or Document # | Amended Book & Page or Document # | TWP | RGE | SEC | QTR | Meridian |
|------------|--------------|------------|--------|---------------------------|-----------------------------------|-----|-----|-----|-----|----------|
| NMC 529776 | GDX-260 | EUREKA | 191 | 225 | 35N | 51E | 36 | SE | MDM | |
| NMC 529777 | GDX-261 | EUREKA | 191 | 226 | 33N | 50E | 34 | SW | MDM | |
| NMC 529778 | GDX-262 | EUREKA | 191 | 227 | 33N | 50E | 34 | SW | MDM | |
| NMC 529779 | GDX-263 | EUREKA | 191 | 228 | 33N | 50E | 34 | SW | MDM | |
| NMC 529780 | GDX-264 | EUREKA | 191 | 229 | 33N | 50E | 34 | SW | MDM | |
| NMC 529781 | GDX-265 | EUREKA | 191 | 230 | 33N | 50E | 34 | SW | MDM | |
| NMC 529782 | GDX-266 | EUREKA | 191 | 231 | 33N | 50E | 34 | SE | MDM | |
| NMC 529783 | GDX-267 | EUREKA | 191 | 232 | 33N | 50E | 34 | SE | MDM | |
| NMC 529784 | GDX-268 | EUREKA | 191 | 233 | 33N | 50E | 34 | SE | MDM | |
| NMC 529785 | GDX-269 | EUREKA | 191 | 234 | 33N | 50E | 34 | SE | MDM | |
| NMC 529786 | GDX-270 | EUREKA | 191 | 235 | 33N | 50E | 34 | SW | MDM | |
| NMC 529787 | GDX-271 | EUREKA | 191 | 236 | 33N | 50E | 34 | SW | MDM | |
| NMC 529788 | GDX-272 | EUREKA | 191 | 237 | 33N | 50E | 34 | SW | MDM | |
| NMC 529789 | GDX-273 | EUREKA | 191 | 238 | 33N | 50E | 34 | SE | MDM | |
| NMC 529790 | GDX-274 | EUREKA | 191 | 239 | 33N | 50E | 34 | SE | MDM | |
| NMC 529791 | GDX-275 | EUREKA | 191 | 240 | 33N | 50E | 34 | SE | MDM | |
| NMC 529792 | GDX-276 | EUREKA | 191 | 241 | 33N | 50E | 34 | SE | MDM | |
| NMC 529793 | GDX-277 | EUREKA | 191 | 242 | 33N | 50E | 34 | SE | MDM | |
| NMC 529794 | GDX-278 | EUREKA | 191 | 243 | 33N | 50E | 36 | SW | MDM | |
| NMC 529795 | GDX-279 | EUREKA | 191 | 244 | 33N | 50E | 36 | SW | MDM | |
| NMC 529796 | GDX-280 | EUREKA | 191 | 245 | 33N | 50E | 36 | SW | MDM | |
| NMC 529797 | GDX-281 | EUREKA | 191 | 246 | 33N | 50E | 36 | SW | MDM | |
| NMC 529798 | GDX-282 | EUREKA | 191 | 247 | 33N | 50E | 36 | SW | MDM | |
| NMC 529799 | GDX-283 | EUREKA | 191 | 248 | 33N | 50E | 16 | SW | MDM | |
| NMC 529800 | GDX-284 | EUREKA | 191 | 249 | 33N | 50E | 16 | NE | MDM | |
| NMC 529801 | GDX-285 | EUREKA | 191 | 250 | 33N | 50E | 16 | NE | MDM | |
| NMC 529802 | GDX-286 | EUREKA | 191 | 251 | 33N | 50E | 16 | NE | MDM | |

BOOK 288 PAGE 524

EXHIBIT A

Company Name : NEWMONT GOLD COMPANY
State : NEVADA
Project : HIGH DESERT JV

Block Name : HIGH DESERT-NGC JV

| Lead File | BLM Serial # | Claim Name | County | Book & Page Or Document # | Amended Book & Page or Document # | TWP | RGE | SEC | QTR | Meridian |
|------------|--------------|------------|--------|---------------------------|-----------------------------------|-----|-----|-----|-----|----------|
| NMC 529803 | GDX-287 | EUREKA | 191 | 252 | 33N | 50E | 16 | NW | MDM | |
| NMC 529804 | GDX-288 | EUREKA | 191 | 253 | 33N | 50E | 16 | NW | MDM | |
| NMC 529805 | GDX-289 | EUREKA | 191 | 254 | 33N | 50E | 16 | NW | MDM | |
| NMC 565082 | BM 9 | EUREKA | 200 | 175 | 35N | 50E | 11 | NE | MDM | |
| NMC 565083 | BM 10 | EUREKA | 200 | 176 | 35N | 50E | 02 | SE | MDM | |
| NMC 565084 | BM 11 | EUREKA | 200 | 177 | 35N | 50E | 11 | NE | MDM | |
| NMC 565085 | BM 12 | EUREKA | 200 | 178 | 35N | 50E | 11 | NE | MDM | |
| NMC 565086 | BM 13 | EUREKA | 200 | 179 | 35N | 50E | 12 | NE | MDM | |
| NMC 565087 | BM 14 | EUREKA | 200 | 180 | 35N | 50E | 12 | NE | MDM | |
| NMC 565088 | BM 15 | EUREKA | 200 | 181 | 35N | 50E | 12 | NE | MDM | |
| NMC 565089 | BM 16 | EUREKA | 200 | 182 | 35N | 50E | 12 | NE | MDM | |
| NMC 565090 | BM 17 | EUREKA | 200 | 183 | 35N | 50E | 12 | NW | MDM | |
| NMC 565091 | BM 18 | EUREKA | 200 | 184 | 35N | 50E | 12 | NE | MDM | |
| NMC 565092 | BM 19 | EUREKA | 200 | 185 | 35N | 50E | 11 | NW | MDM | |
| NMC 574082 | BM 20 | EUREKA | 205 | 456 | 35N | 50E | 11 | SE | MDM | |
| NMC 574084 | DISCOVERY #1 | EUREKA | 205 | 458 | 35N | 50E | 11 | SE | MDM | |
| NMC 588702 | DISCOVERY #2 | EUREKA | 208 | 490 | 35N | 50E | 11 | SW | MDM | |
| NMC 638603 | | | | | | | | | | |

BOOK 288 PAGE 525

EXHIBIT A

Company Name : NEWMONT GOLD COMPANY
State : NEVADA
Project : HIGH DESERT JV

Block Name : HIGH DESERT-NGC JV

| Lead File | BLM Serial # | Claim Name | County | Book & Page Or Document # | Amended Book & Page or Document # | TWP | RGE | SEC | QTR | Meridian |
|------------|--------------|------------|--------|---------------------------|-----------------------------------|-----|-----|-----|-----|----------|
| NMC 638603 | HD 1 | EUREKA | 229 | 532 | 35N | 50E | 12 | SW | MDM | |
| NMC 638604 | HD 2 | EUREKA | 229 | 533 | 35N | 50E | 11 | SE | MDM | |
| NMC 638605 | HD 3 | EUREKA | 229 | 534 | 35N | 50E | 12 | NW | MDM | |
| NMC 638606 | HD 4 | EUREKA | 229 | 535 | 35N | 50E | 13 | NW | MDM | |
| NMC 638607 | HD 5 | EUREKA | 229 | 536 | 35N | 50E | 14 | NE | MDM | |
| NMC 638608 | HD 6 | EUREKA | 229 | 537 | 35N | 50E | 12 | NW | MDM | |
| NMC 638609 | HD 7 | EUREKA | 229 | 538 | 35N | 50E | 12 | NW | MDM | |
| NMC 638610 | HD 8 | EUREKA | 229 | 539 | 35N | 50E | 12 | NW | MDM | |
| NMC 638611 | HD 9 | EUREKA | 229 | 540 | 35N | 50E | 12 | NW | MDM | |
| NMC 638612 | HD 10 | EUREKA | 229 | 541 | 35N | 50E | 13 | NW | MDM | |
| NMC 638613 | HD 11 | EUREKA | 229 | 542 | 35N | 50E | 12 | NE | MDM | |
| NMC 638614 | HD 12 | EUREKA | 229 | 543 | 35N | 50E | 12 | NW | MDM | |
| NMC 638615 | HD 13 | EUREKA | 229 | 544 | 35N | 50E | 12 | SE | MDM | |
| NMC 638616 | HD 14 | EUREKA | 229 | 545 | 35N | 50E | 12 | SW | MDM | |

BOOK 288 PAGE 526

REPORT : EXHIBITA

Company Name : NEWMONT GOLD COMPANY
State : NEVADA
Project : HIGH DESERT JV

EXHIBIT A

Block Name : HIGH DESERT-NGC JV

| Lead File | BLM Serial # | Claim Name | County | Book & Page Or Document # | Amended Book & Page or Document # | TWP | RGE | SEC | QTR | Meridian |
|------------|--------------|------------|--------|---------------------------|-----------------------------------|-----|-----|-----|-----|----------|
| NMC 638617 | HD 15 | EUREKA | 229 | 546 | 35N | 50E | 12 | SW | MDM | |
| NMC 638618 | HD 16 | EUREKA | 229 | 547 | 35N | 50E | 12 | SE | MDM | |
| NMC 638619 | HD 17 | EUREKA | 229 | 548 | 35N | 50E | 12 | SW | MDM | |
| NMC 638620 | HD 18 | EUREKA | 229 | 549 | 35N | 50E | 12 | SE | MDM | |
| NMC 638621 | HD 19 | EUREKA | 229 | 550 | 35N | 50E | 12 | SW | MDM | |
| NMC 638622 | HD 20 | EUREKA | 229 | 551 | 35N | 51E | 18 | SW | MDM | |
| NMC 638623 | HD 21 | EUREKA | 229 | 552 | 35N | 51E | 18 | SE | MDM | |
| NMC 638624 | HD 22 | EUREKA | 229 | 553 | 35N | 51E | 12 | SW | MDM | |
| NMC 638625 | HD 26 | EUREKA | 229 | 554 | 35N | 51E | 07 | NW | MDM | |
| | | | | | | | 18 | SW | MDM | |
| | | | | | | | 07 | NW | MDM | |
| | | | | | | | 18 | SW | MDM | |
| | | | | | | | 18 | NW | MDM | |
| | | | | | | | 12 | NW | MDM | |
| | | | | | | | 11 | NE | MDM | |

Total Count for Claim Block : 246

Count of Claims by County

EUREKA 246

BOOK 288 PAGES 27

EXHIBIT A

Company Name : NEWMONT GOLD COMPANY
 State : NEVADA
 Project : HIGH DESERT JV

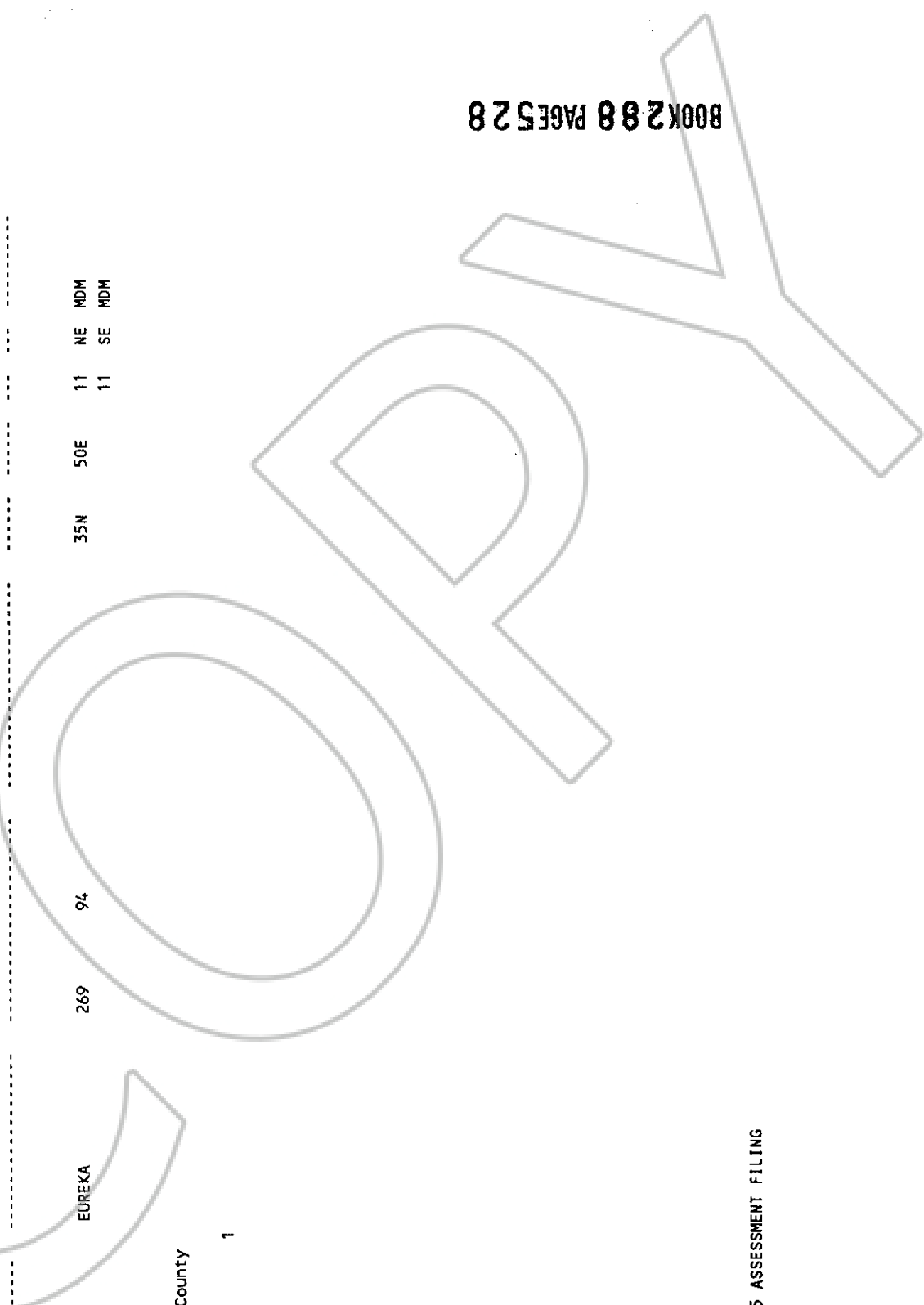
Block Name : VENT 11

Lead File -----
 BLM Serial # Claim Name County Book & Page Or Document # Amended Book & Page or Document # TWP RGE SEC QTR Meridian

NMC 699502 VENT 11 EUREKA 269 94 35N 50E 11 NE MDM
 NMC 699502 VENT 11 EUREKA 269 94 35N 50E 11 SE MDM

Total Count for Claim Block : 1

Count of Claims by County
 EUREKA 1



BOOK 288 PAGES 28

REPORT : EXHIBITA

Company Name : NEWMONT GOLD COMPANY
State : NEVADA
Project : HIGH DESERT JV

EXHIBIT A

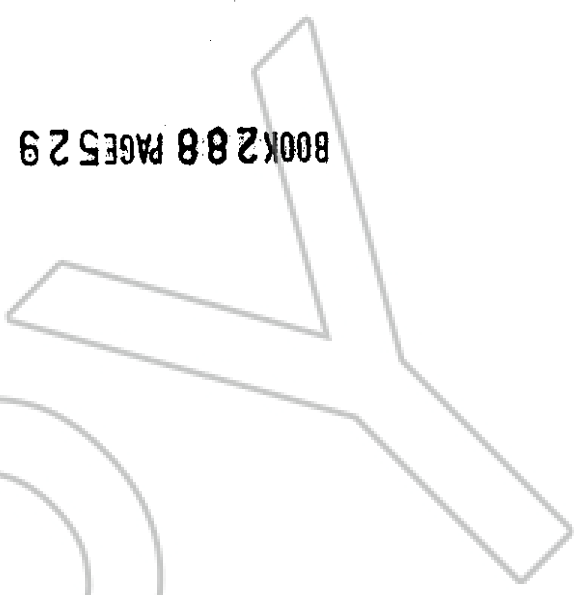
Block Name : VENT 12-18

Lead File

| BLM Serial # | Claim Name | County | Book & Page Or Document # | Amended Book & Page or Document # | TWP | RGE | SEC | QTR | Meridian |
|--------------|------------|--------|---------------------------|-----------------------------------|-----|-----|-----|-----|----------|
| NMC 705711 | VENT 12 | EUREKA | 277 | 514 | 35N | 50E | 11 | SE | MDM |
| NMC 705712 | VENT 13 | EUREKA | 277 | 515 | 35N | 50E | 11 | SW | MDM |
| NMC 705713 | VENT 14 | EUREKA | 277 | 516 | 35N | 50E | 11 | SE | MDM |
| NMC 705714 | VENT 15 | EUREKA | 277 | 517 | 35N | 50E | 11 | SE | MDM |
| NMC 705715 | VENT 16 | EUREKA | 277 | 518 | 35N | 50E | 11 | SW | MDM |
| NMC 705716 | VENT 17 | EUREKA | 277 | 519 | 35N | 50E | 11 | SE | MDM |
| NMC 705717 | VENT 18 | EUREKA | 277 | 520 | 35N | 50E | 11 | SE | MDM |

Total Count for Claim Block : 7

Count of Claims by County
EUREKA 7



Company Name : NEWMONT GOLD COMPANY
State : NEVADA
Project : HIGH DESERT JV

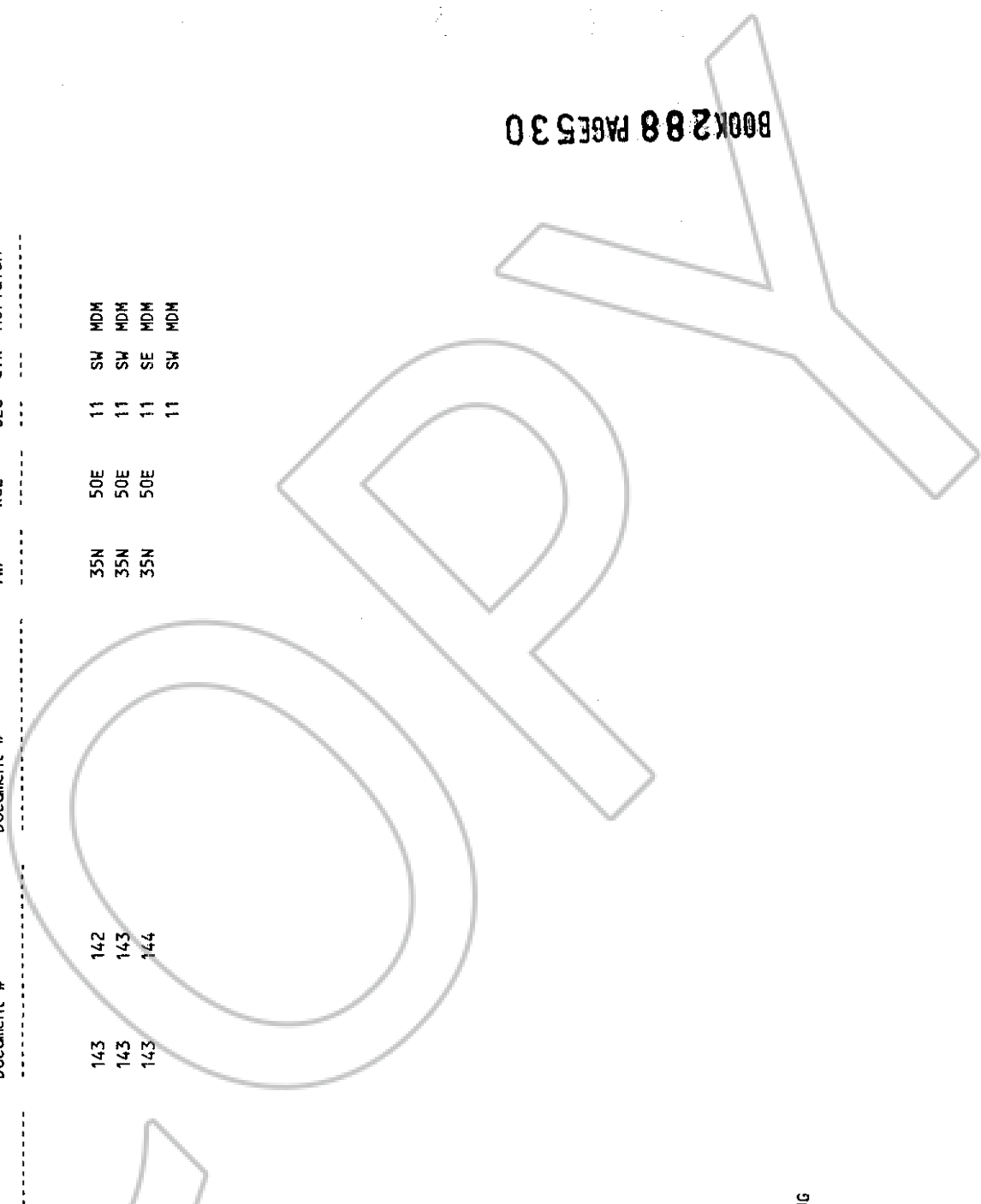
Block Name : HIGH DESERT-DDC

| Lead File | BLM Serial # | Claim Name | County | Book & Page Or Document # | Amended Book & Page or Document # | TWP | RGE | SEC | QTR | Meridian |
|------------|--------------|------------|--------|---------------------------|-----------------------------------|-----|-----|-----|-----|----------|
| NMC 364173 | | | | | | | | | | |
| NMC 364173 | | DDC #1 | EUREKA | 143 | 142 | 35N | 50E | 11 | SW | MDM |
| NMC 364174 | | DDC #2 | EUREKA | 143 | 143 | 35N | 50E | 11 | SW | MDM |
| NMC 364175 | | DDC #3 | EUREKA | 143 | 144 | 35N | 50E | 11 | SE | MDM |
| | | | | | | | | 11 | SW | MDM |

Total Count for Claim Block : 3

Count of Claims by County

EUREKA 3



BOOK 288 PAGES 30

EXHIBIT A

Company Name : NEWMONT GOLD COMPANY
State : NEVADA
Project : HIGH DESERT JV

Block Name : HIGH DESERT-VENT

Lead File

BLM Serial # Claim Name County Book & Page Or Document # Amended Book & Page Or Document #

| BLM Serial # | Claim Name | County | Book & Page Or Document # | Amended Book & Page Or Document # | TMP | RGE | SEC | QTR | Meridian |
|--------------|------------|--------|---------------------------|-----------------------------------|-----|-----|-----|-----|----------|
| NMC 677555 | MOLE 12 | EUREKA | 247 | 33 | 35N | 50E | 11 | SE | MDM |
| NMC 677566 | | | | | | | 12 | SW | MDM |
| NMC 677567 | VENT 1 | EUREKA | 247 | 34 | 35N | 50E | 11 | NE | MDM |
| NMC 677568 | VENT 2 | EUREKA | 247 | 35 | 35N | 50E | 11 | NE | MDM |
| NMC 677569 | VENT 3 | EUREKA | 247 | 36 | 35N | 50E | 11 | SE | MDM |
| NMC 677570 | VENT 4 | EUREKA | 247 | 37 | 35N | 50E | 11 | NE | MDM |
| NMC 679410 | VENT 5 | EUREKA | 249 | 181 | 35N | 51E | 07 | SW | MDM |
| NMC 679411 | VENT 6 | EUREKA | 249 | 182 | 35N | 51E | 18 | NW | MDM |
| NMC 679412 | VENT 7 | EUREKA | 249 | 183 | 35N | 51E | 18 | NW | MDM |
| NMC 679413 | VENT 8 | EUREKA | 249 | 184 | 35N | 51E | 18 | NW | MDM |
| NMC 679414 | VENT 9 | EUREKA | 249 | 185 | 35N | 50E | 12 | NE | MDM |
| NMC 679415 | VENT 10 | EUREKA | 249 | 186 | 35N | 51E | 12 | SE | MDM |
| | | | | | 35N | 51E | 18 | NE | MDM |
| | | | | | 35N | 51E | 18 | NW | MDM |
| | | | | | 35N | 51E | 07 | SW | MDM |
| | | | | | 35N | 50E | 18 | NW | MDM |
| | | | | | 35N | 50E | 12 | NE | MDM |

Total Count for Claim Block : 11

Count of Claims by County

EUREKA 11

BOOK 288 PAGE 31

EXHIBIT A

REPORT : EXHIBIT A

| Total County | Count |
|--------------|-------|
| ----- | ----- |
| EUREKA | 268 |

Total Claim count for this Exhibit : 268

COOPY

BOOK 288 PAGES 32

EXHIBIT "B"

OWNERS

CLAIMS

Newmont Gold Company
as to 60% interest.
555 Fifth Street
Elko, Nevada 89801

and

High Desert Mineral Resources
of Nevada, Inc.,
as to 40% interest.
P.O. Box 2008
Elko, Nevada 89803
Attention:
P. Lee Halavais & Ronald T. Halavais

Those claims identified in the preceding
Exhibit "A" under Lead File #'s:

NMC 1154, NMC 1144,
NMC 13741, NMC 92823,
NMC 812914, NMC 364173,
NMC 520254, NMC 529717,
NMC 574082, NMC 638603,
NMC 679410, NMC 699502,
NMC 11442, NMC 11445,
NMC 72752, NMC 244744,
NMC 333061, NMC 372458,
NMC 529076, NMC 565082,
NMC 588702, NMC 677567,

Drury J. Thiercof &
Frances Mae Thiercof
P.O. Box 818
Carlin, Nevada 89822

Those claims identified in the preceding
Exhibit "A" under Lead File #:

NMC 27470

Newmont Gold Company
555 Fifth Street
Elko, Nevada 89801

Those claims identified in the preceding
Exhibit "A" under Lead File #'s:
NMC 677555, NMC 705711

NEWMONT GOLD & HIGH DESERT VENTURE-1994/1995

BOOK 288 PAGES 33

BOOK 288 PAGE 534

COPY

159750

FILE NO. FEES \$938.00
EUREKA COUNTY NEVADA
H.M. REBALANT, RECORDER

BOOK 288 PAGE 513
OFFICIAL RECORDS
RECORDED AT THE REQUEST OF
NEW MONT GOLD COMPANY
95 OCT 27 PM 1:52