

AFFIDAVIT AND NOTICE OF INTENT TO HOLD MINING CLAIMS AND SITES

State of Nevada )  
County of Elko )  
ss. )

David R. Faley, first being duly sworn, deposes and says:

I am the duly authorized agent of NEWMONT GOLD COMPANY, a Delaware corporation ("Newmont"), and am personally acquainted with the matters described herein.

Newmont, whose address is 555 Fifth Street, Elko, Nevada 89801, owns the unpatented mining claims described in Exhibit A attached hereto (the "Claims").

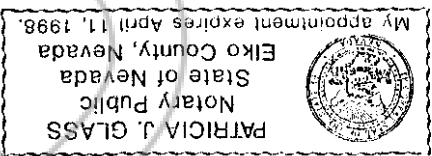
It is the intention of Newmont to maintain and develop the Claims as is provided for by law, and to hold the same to and through 11:59 a.m., September 1, 1995.

Newmont has paid a maintenance fee of \$100 and met the federal fee requirements for each of the Claims for the assessment year ending September 1, 1995, as required by Public Law 103-66, 107 Stat. 312 and 43 C.F.R. Part 3830 (and, to the extent applicable to any of the Claims, the Act of August 11, 1955, 69 Stat. 681 and 43 C.F.R. Part 3730, and the Act of April 8, 1948, 62 Stat. 162 and 43 C.F.R. Subpart 3821), in lieu of the suspended assessment work and filing requirements of 30 U.S.C. § 28-28e and 43 U.S.C. § 1744(a) and (c). This affidavit is made pursuant to N.R.S. § 517.230.

*[Signature]*  
David R. Faley

Subscribed and sworn to before me this 25th day of October, 1995, by David R. Faley.

*[Signature]*  
Notary Public



NGCVNGC-TUSC DEPOSIT - 1994/1995 FILING

BOOK 289 PAGE 033

EXHIBIT A

Company Name : NEWMONT GOLD COMPANY  
State : NEVADA  
Project : NGC-GOLD QUARRY MINE

Block Name : ELEMENTS

Lead File	BLM Serial #	Claim Name	County	Book & Page Or Document #	Amended Book & Page or Document #	TWP	RGE	SEC	QTR	Meridian
NMC 112759		ELEMENTS NO. 1	EUREKA	K 79	75	34N	51E	33	NE	MDM
NMC 112760		ELEMENTS NO. 2	EUREKA	K 80	75	34N	51E	33	NE	MDM
NMC 112761		ELEMENTS NO. 3	EUREKA	K 80	75	34N	51E	33	NE	MDM
NMC 112762		ELEMENTS NO. 4	EUREKA	K 81	75	34N	51E	33	NE	MDM
NMC 112763		ELEMENTS NO. 5	EUREKA	K 81	75	34N	51E	33	NE	MDM
NMC 112764		ELEMENTS NO. 6	EUREKA	K 82	75	34N	51E	33	SE	MDM
NMC 112765		ELEMENTS NO. 7	EUREKA	K 82	75	34N	51E	33	SE	MDM
NMC 112766		ELEMENTS NO. 8	EUREKA	K 83	75	34N	51E	33	SE	MDM
NMC 112767		ELEMENTS NO. 9	EUREKA	K 83	75	34N	51E	33	NE	MDM
NMC 112768		ELEMENTS NO. 10	EUREKA	K 84	75	34N	51E	33	NE	MDM
NMC 112769		ELEMENTS NO. 11	EUREKA	K 84	75	34N	51E	33	NE	MDM
NMC 112770		ELEMENTS NO. 12	EUREKA	K 85	75	34N	51E	33	NE	MDM
NMC 112771		ELEMENTS NO. 13	EUREKA	K 85	75	34N	51E	33	SE	MDM
NMC 112772		ELEMENTS NO. 14	EUREKA	K 86	75	34N	51E	33	SE	MDM
NMC 112773		ELEMENTS NO. 15	EUREKA	K 86	75	34N	51E	34	NW	MDM
NMC 112774		ELEMENTS NO. 16	EUREKA	K 87	75	34N	51E	34	NW	MDM
NMC 112775		ELEMENTS NO. 17	EUREKA	K 87	75	34N	51E	34	NW	MDM
NMC 112776		ELEMENTS NO. 18	EUREKA	K 88	75	34N	51E	34	NW	MDM
NMC 112777		ELEMENTS NO. 19	EUREKA	K 88	75	34N	51E	34	NW	MDM
NMC 112778		ELEMENTS NO. 20	EUREKA	K 89	75	34N	51E	34	SW	MDM
NMC 112779		ELEMENTS NO. 21	EUREKA	K 89	75	34N	51E	34	SW	MDM
NMC 112780		ELEMENTS NO. 22	EUREKA	K 90	75	34N	51E	34	NE	MDM

BOOK 289 PAGE 34

REPORT : EXHIBIT A

Company Name : NEWMONT GOLD COMPANY  
State : NEVADA  
Project : NGC-GOLD QUARRY MINE

EXHIBIT A

Block Name : ELEMENTS

Lead File	BLM Serial #	Claim Name	County	Book & Page or Document #	Amended Book & Page or Document #	TWP	RGE	SEC	QTR	Meridian
	NMC 112781	ELEMENTS NO. 23	EUREKA	K 90	75 161-162	34N	51E	34	NE	MDM
	NMC 112782	ELEMENTS NO. 24	EUREKA	K 91	75 163-164	34N	51E	34	NW	MDM
	NMC 112783	ELEMENTS NO. 25	EUREKA	K 91	75 165-166	34N	51E	34	NE	MDM
	NMC 112784	ELEMENTS NO. 26	EUREKA	K 92	75 167-168	34N	51E	34	NW	MDM
	NMC 112785	ELEMENTS NO. 27	EUREKA	K 92	75 169-170	34N	51E	34	NE	MDM
	NMC 112786	ELEMENTS NO. 28	EUREKA	K 93	75 171-172	34N	51E	34	SE	MDM
	NMC 112787	ELEMENTS NO. 29	EUREKA	K 93	75 173-174	34N	51E	28	SW	MDM
	NMC 112788	ELEMENTS NO. 30	EUREKA	K 94	75 175-176	34N	51E	28	SE	MDM
	NMC 112789	ELEMENTS NO. 31	EUREKA	K 94	75 177-178	34N	51E	28	SE	MDM
	NMC 112790	ELEMENTS NO. 32	EUREKA	K 95	75 179-180	34N	51E	28	SE	MDM
	NMC 112791	ELEMENTS NO. 33	EUREKA	K 95	75 181-182	34N	51E	28	NE	MDM
	NMC 112792	ELEMENTS NO. 34	EUREKA	K 96	75 183-184	34N	51E	28	SE	MDM
	NMC 112793	ELEMENTS NO. 35	EUREKA	K 96	75 185-186	34N	51E	28	NE	MDM
	NMC 112794	ELEMENTS NO. 36	EUREKA	K 97	75 187-188	34N	51E	28	NE	MDM
	NMC 112795	ELEMENTS NO. 37	EUREKA	K 97	75 189-190	34N	51E	28	NE	MDM
	NMC 112796	ELEMENTS NO. 38	EUREKA	K 98	75 191-192	34N	51E	28	SE	MDM
	NMC 112797	ELEMENTS NO. 39	EUREKA	K 98	75 193-194	34N	51E	28	SE	MDM
	NMC 112798	ELEMENTS NO. 40	EUREKA	K 99	75 195-196	34N	51E	28	SE	MDM
	NMC 112799	ELEMENTS NO. 41	EUREKA	K 101	75 197-198	34N	51E	28	SE	MDM

BOOK 289 PAGE 37

REPORT : EXHIBIT A

Company Name : NEWMONT GOLD COMPANY  
State : NEVADA  
Project : NGC-GOLD QUARRY MINE

EXHIBIT A

Block Name : ELEMENTS

Lead File	BLM Serial #	Claim Name	County	Book & Page Or Document #	Amended Book & Page or Document #	TWP	RGE	SEC	QTR	Meridian
NMC 112800	ELEMENTS NO. 42	EUREKA	K	102	75	199-200	34N	28	NE	MDM
NMC 112801	ELEMENTS NO. 43	EUREKA	K	102	75	201-202	34N	28	SE	MDM
NMC 112802	ELEMENTS NO. 44	EUREKA	K	103	75	203-204	34N	28	NE	MDM
NMC 112803	ELEMENTS NO. 45	EUREKA	K	103	75	205-206	34N	28	NE	MDM
NMC 112804	ELEMENTS NO. 46	EUREKA	K	104	75	207-208	34N	28	NE	MDM
NMC 112805	ELEMENTS NO. 47	EUREKA	K	104	75	209-210	34N	27	SE	MDM
NMC 112806	ELEMENTS NO. 48	EUREKA	K	105	75	211-212	34N	34	NW	MDM
NMC 112807	ELEMENTS NO. 49	EUREKA	K	105	75	213-214	34N	27	SE	MDM
NMC 112808	ELEMENTS NO. 50	EUREKA	K	106	75	215-216	34N	27	SE	MDM
NMC 112809	ELEMENTS NO. 51	EUREKA	K	106	75	217-218	34N	27	SW	MDM
NMC 112810	ELEMENTS NO. 52	EUREKA	K	107	75	219-220	34N	27	SE	MDM
NMC 112811	ELEMENTS NO. 53	EUREKA	K	107	75	221-222	34N	27	SW	MDM
NMC 112812	ELEMENTS NO. 54	EUREKA	K	108	75	223-224	34N	34	NE	MDM
NMC 112813	ELEMENTS NO. 55	EUREKA	K	108	75	225-226	34N	34	NW	MDM
NMC 112814	ELEMENTS NO. 56	EUREKA	K	109	75	227-228	34N	27	SE	MDM
NMC 112815	ELEMENTS NO. 57	EUREKA	K	109	75	229-230	34N	27	SW	MDM
NMC 112816	ELEMENTS NO. 58	EUREKA	K	110	75	231-232	34N	27	SE	MDM
NMC 112817	ELEMENTS NO. 59	EUREKA	K	110	75	233-234	34N	34	NE	MDM

BOOK 289 PAGE 036

REPORT : EXHIBIT A

Prepared : 25-OCT-95  
Page : 4 of 11

Company Name : NEWMONT GOLD COMPANY  
State : NEVADA  
Project : NGC-GOLD QUARRY MINE

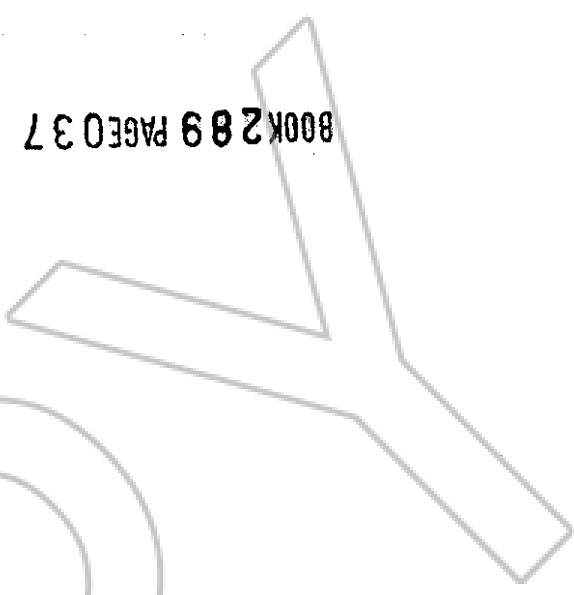
EXHIBIT A

Block Name : ELEMENTS

Lead File	BLM Serial #	Claim Name	County	Book & Page Or Document #	Amended Book & Page or Document #	TMP	RGE	SEC	QTR	Meridian
NMC 112818	ELEMENTS NO. 60	EUREKA	K	111	75	34N	51E	27	SE	MDM
NMC 112819	ELEMENTS NO. 61	EUREKA	K	111	75	34N	51E	27	SE	MDM
NMC 112820	ELEMENTS NO. 62	EUREKA	K	112	75	34N	51E	34	NE	MDM
NMC 112821	ELEMENTS NO. 63	EUREKA	K	112	75	34N	51E	34	NE	MDM
NMC 112822	ELEMENTS NO. 64	EUREKA	K	113	75	34N	51E	34	NE	MDM
NMC 112823	ELEMENTS NO. 65	EUREKA	K	113	75	34N	51E	34	NE	MDM
NMC 112824	ELEMENTS NO. 66	EUREKA	K	114	75	34N	51E	34	NE	MDM
NMC 112825	ELEMENTS NO. 67	EUREKA	K	114	75	34N	51E	34	SE	MDM
NMC 112826	ELEMENTS NO. 68	EUREKA	K	115	75	34N	51E	34	SE	MDM

Total Count for Claim Block : 68

Count of Claims by County  
EUREKA 68



REPORT : EXHIBITA

Company Name : NEWMONT GOLD COMPANY  
State : NEVADA  
Project : NGC-TUSC DEPOSIT

EXHIBIT A

Block Name : TUSC 37A

Lead File

BLM Serial # Claim Name

Book & Page Or Document #

Amended Book & Page or Document #

County

TWP RGE SEC QTR Meridian

NMC 702848 TUSC 37A

273

184

EUREKA

34N

51E

21 SW MDM  
21 SE MDM  
28 NE MDM  
28 NW MDM

Total Count for Claim Block : 1

Count of Claims by County

EUREKA

1

BOOK 289 PAGE 038

REPORT : EXHIBIT A

Company Name : NEWMONT GOLD COMPANY  
State : NEVADA  
Project : NGC-TUSC DEPOSIT

EXHIBIT A

Block Name : TUSC ETAL

Lead File	BLM Serial #	Claim Name	County	Book & Page Or Document #	Amended Book & Page or Document #	TWP	RGE	SEC	QTR	Meridian
NMC 455041	455041	TUSC NO. 1	EUREKA	170	195	34N	51E	33	NE	MDM
NMC 455042	455042	TUSC NO. 2	EUREKA	170	196	34N	51E	33	NW	MDM
NMC 455043	455043	TUSC NO. 3	EUREKA	170	197	34N	51E	33	NE	MDM
NMC 455044	455044	TUSC NO. 4	EUREKA	170	198	34N	51E	33	NW	MDM
NMC 455045	455045	TUSC NO. 5	EUREKA	170	199	34N	51E	33	NE	MDM
NMC 455046	455046	TUSC NO. 6	EUREKA	170	200	34N	51E	33	NW	MDM
NMC 455047	455047	TUSC NO. 7	EUREKA	170	201	34N	51E	33	SE	MDM
NMC 455048	455048	TUSC NO. 8	EUREKA	170	202	34N	51E	33	SW	MDM
NMC 455049	455049	TUSC NO. 9	EUREKA	170	203	34N	51E	33	NE	MDM
NMC 455050	455050	TUSC NO. 10	EUREKA	170	204	34N	51E	33	NE	MDM
NMC 455051	455051	TUSC NO. 11	EUREKA	170	205	34N	51E	33	NE	MDM
NMC 455052	455052	TUSC NO. 12	EUREKA	170	206	34N	51E	33	NE	MDM
NMC 455053	455053	TUSC NO. 13	EUREKA	170	207	34N	51E	33	SE	MDM
NMC 455054	455054	TUSC NO. 14	EUREKA	170	208	34N	51E	33	SE	MDM
NMC 455055	455055	TUSC NO. 15	EUREKA	170	209	34N	51E	34	NW	MDM
NMC 455056	455056	TUSC NO. 16	EUREKA	170	210	34N	51E	34	NW	MDM
NMC 455057	455057	TUSC NO. 17	EUREKA	170	211	34N	51E	34	NW	MDM

BOOK 289 PAGE 39

REPORT : EXHIBITA

Company Name : NEWMONT GOLD COMPANY  
State : NEVADA  
Project : NGC-TUSC DEPOSIT

EXHIBIT A

Block Name : TUSC ETAL

Lead File	BLM Serial #	Claim Name	County	Book & Page Or Document #	Amended Book & Page or Document #	TWP	RGE	SEC	QTR	Meridian
NMC 455058	TUSC NO. 18	EUREKA	170	212	34N	51E	34	NW	MDM	
NMC 455059	TUSC NO. 19	EUREKA	170	213	34N	51E	34	NW	MDM	
NMC 455060	TUSC NO. 20	EUREKA	170	214	34N	51E	34	SW	MDM	
NMC 455061	TUSC NO. 21	EUREKA	170	215	34N	51E	34	SW	MDM	
NMC 455062	TUSC NO. 22	EUREKA	170	216	34N	51E	34	SW	MDM	
NMC 455063	TUSC NO. 23	EUREKA	170	217	34N	51E	34	NE	MDM	
NMC 455064	TUSC NO. 24	EUREKA	170	218	34N	51E	34	NW	MDM	
NMC 455065	TUSC NO. 25	EUREKA	170	219	34N	51E	34	NE	MDM	
NMC 455066	TUSC NO. 26	EUREKA	170	220	34N	51E	34	NW	MDM	
NMC 455067	TUSC NO. 27	EUREKA	170	221	34N	51E	34	NE	MDM	
NMC 455068	TUSC NO. 28	EUREKA	170	222	34N	51E	34	NW	MDM	
NMC 455069	TUSC NO. 29	EUREKA	170	223	34N	51E	34	SE	MDM	
NMC 455070	TUSC NO. 30	EUREKA	170	224	34N	51E	28	SW	MDM	
NMC 455071	TUSC NO. 31	EUREKA	170	225	34N	51E	28	SE	MDM	

BOOK 289 PAGE 040



EXHIBIT A

Company Name : NEWMONT GOLD COMPANY  
State : NEVADA  
Project : NGC-TUSC DEPOSIT

Block Name : TUSC ETAL

Lead File	BLM Serial #	Claim Name	County	Book & Page Or Document #	Amended Book & Page or Document #	TWP	RGE	SEC	QTR	Meridian
NMC 455072	TUSC NO. 32	EUREKA	170	226	34N	51E	28	SE	MDM	
NMC 455073	TUSC NO. 33	EUREKA	170	227	34N	51E	28	SW	MDM	
NMC 455074	TUSC NO. 34	EUREKA	170	228	34N	51E	28	NE	MDM	
NMC 455075	TUSC NO. 35	EUREKA	170	229	34N	51E	28	NW	MDM	
NMC 455076	TUSC NO. 36	EUREKA	170	230	34N	51E	28	SE	MDM	
NMC 455077	TUSC NO. 37	EUREKA	170	231	34N	51E	28	SW	MDM	
NMC 455078	TUSC NO. 38	EUREKA	170	232	34N	51E	28	NE	MDM	
NMC 455079	TUSC NO. 39	EUREKA	170	233	34N	51E	28	NW	MDM	
NMC 455080	TUSC NO. 40	EUREKA	170	234	34N	51E	21	SE	MDM	
NMC 455081	TUSC NO. 41	EUREKA	170	235	34N	51E	21	SW	MDM	
NMC 455082	TUSC NO. 42	EUREKA	170	236	34N	51E	28	SE	MDM	
NMC 455083	TUSC NO. 43	EUREKA	170	237	34N	51E	28	NE	MDM	
NMC 455084	TUSC NO. 44	EUREKA	170	238	34N	51E	28	NE	MDM	
NMC 455085	TUSC NO. 45	EUREKA	170	239	34N	51E	28	NE	MDM	
NMC 455086	TUSC NO. 46	EUREKA	170	240	34N	51E	28	NE	MDM	
							21	SE	MDM	

BOOK 289 PAGE 041

REPORT : EXHIBIT A

Company Name : NEWMONT GOLD COMPANY  
State : NEVADA  
Project : NGC-TUSC DEPOSIT

Lead File

BLM Serial # Claim Name

Block Name : TUSC ETAL

Book & Page Or Document #  
Amended Book & Page or Document #

County Book & Page Or Document # TWP RGE SEC QTR Meridian

NMC 455087	TUSC NO. 47	EUREKA	170	241	34N	51E	34	NW	MDM
NMC 455088	TUSC NO. 48	EUREKA	170	242	34N	51E	27	SW	MDM
NMC 455089	TUSC NO. 49	EUREKA	170	243	34N	51E	27	SW	MDM
NMC 455090	TUSC NO. 50	EUREKA	170	244	34N	51E	27	SW	MDM
NMC 455091	TUSC NO. 51	EUREKA	170	245	34N	51E	27	NW	MDM
NMC 455092	TUSC NO. 52	EUREKA	170	246	34N	51E	27	SW	MDM
NMC 455093	TUSC NO. 53	EUREKA	170	247	34N	51E	34	NE	MDM
NMC 455094	TUSC NO. 54	EUREKA	170	248	34N	51E	34	NW	MDM
NMC 455095	TUSC NO. 55	EUREKA	170	249	34N	51E	27	SW	MDM
NMC 455096	TUSC NO. 56	EUREKA	170	250	34N	51E	27	SE	MDM
NMC 455097	TUSC NO. 57	EUREKA	170	251	34N	51E	27	SW	MDM
NMC 455098	TUSC NO. 58	EUREKA	170	252	34N	51E	34	NE	MDM
NMC 455099	TUSC NO. 59	EUREKA	170	253	34N	51E	27	SE	MDM
NMC 455100	TUSC NO. 60	EUREKA	170	254	34N	51E	27	SE	MDM
NMC 455101	TUSC NO. 61	EUREKA	170	255	34N	51E	27	NE	MDM
							27	SE	MDM

BOOK 289 PAGE 042

REPORT : EXHIBIT A

Company Name : NEMMONT GOLD COMPANY  
 State : NEVADA  
 Project : NGC-TUSC DEPOSIT

Prepared : 25-OCT-95  
 Page : 10 of 11

Lead File		Block Name : TUSC ETAL		County		Book & Page Or Document #		Amended Book & Page or Document #		TWP	RGE	SEC	QTR	Meridian
BLM Serial #	Claim Name					Document #	Document #							
NMC 455102	TUSC NO. 62	EUREKA	170	256	34N	51E	34	NE	MDM					
NMC 455103	TUSC NO. 63	EUREKA	170	257	34N	51E	34	NE	MDM					
NMC 455104	TUSC NO. 64	EUREKA	170	258	34N	51E	34	NE	MDM					
NMC 455105	TUSC NO. 65	EUREKA	170	259	34N	51E	34	NE	MDM					
NMC 455106	TUSC NO. 66	EUREKA	170	260	34N	51E	34	NE	MDM					
NMC 455107	TUSC NO. 67	EUREKA	170	261	34N	51E	34	SE	MDM					
NMC 455108	TUSC NO. 68	EUREKA	170	262	34N	51E	34	SE	MDM					
NMC 465261	TUSC NO. 69	EUREKA	172	269	34N	51E	27	NE	MDM					
NMC 465262	TUSC NO. 70	EUREKA	172	270	34N	51E	27	SE	MDM					
NMC 465263	TUSC NO. 71	EUREKA	172	271	34N	51E	27	SE	MDM					
NMC 465264	TUSC NO. 72	EUREKA	172	272	34N	51E	27	SE	MDM					
NMC 465265	TUSC NO. 73	EUREKA	172	273	34N	51E	34	NE	MDM					
NMC 465266	TUSC NO. 74	EUREKA	172	274	34N	51E	34	NE	MDM					
NMC 593492	TUSC NO. 68A	EUREKA	209	451	34N	51E	34	SE	MDM					
NMC 629019	TUSC 75	EUREKA	224	267	34N	51E	27	NE	MDM					
NMC 629020	TUSC 76	EUREKA	224	268	34N	51E	27	SE	MDM					
NMC 629021	TUSC 77	EUREKA	224	269	34N	51E	34	NE	MDM					
NMC 629022	TUSC 78	EUREKA	224	270	34N	51E	27	SE	MDM					
Total Count for Claim Block :														79

BOOK 289 PAGE 43

REPORT : EXHIBITA

EXHIBIT A

Count of Claims by County

EUREKA

79

Count

Total County

-----  
148

EUREKA

Total Claim count for this Exhibit : 148

BOOK 289 PAGE 044

159757

EUREKA COUNTY, NEVADA  
M.M. REBALEATI, RECORDER  
FILE NO. FEES \$ 618.00

NEWMONT GOLD COMPANY  
95 OCT 27 PM 2:31

RECORDED AT THE REQUEST OF

BOOK 289 PAGE 033