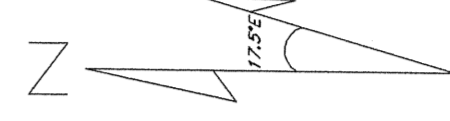
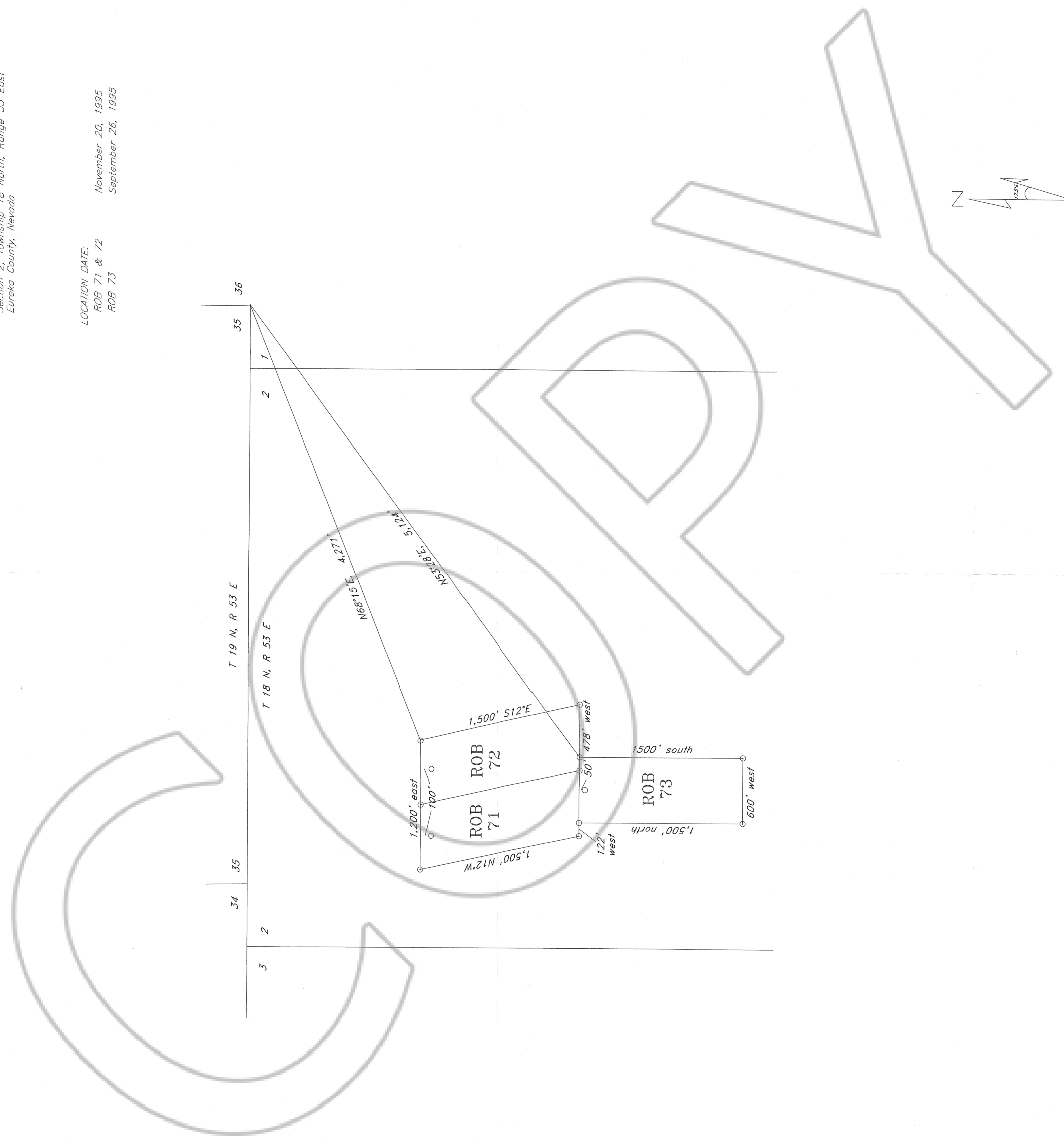


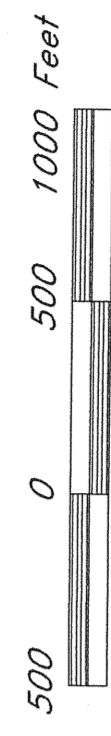
LOCATOR:
Homestake Mining Company of California
650 California Street
San Francisco, California 94108

LOCATION:
Section 2, Township 18 North, Range 53 East
Eureka County, Nevada

LOCATION DATE:
ROB 71 & 72 November 20, 1995
ROB 73 September 26, 1995



Magnetic Declination 17.5° East



AMENDED MAP
 ROB 71, 72 & 73
 LOBE MINING CLAIMS
 Sec. 2, Township 18 North, Range 53 East
 Eureka County, Nevada

FILED AT THE REQUEST OF Homestake
 on Jan 10 19 96 at 38 MINS. EAST 9 A.
 RECORDS OF EUREKA COUNTY, NEVADA, M. N. REEBALEST, RECORDER
 File No. 10-00
 Fee \$ 10.00