

LOCATION:  
 HORSESHOE MINING COMPANY OF CALIFORNIA  
 650 California Street  
 San Francisco, CA 94108

LOCATION:  
 Sections 3-5, 7-10, 17, 18 T18N, R53E  
 Sections 20, 21, 28, 29, 32, 33 T19N, R53E  
 Eureka County, Nevada

LOCATION DATES:  
 SSV 1-91  
 11-7-95 SSV 92-201  
 11-8-95

TIE POINT:

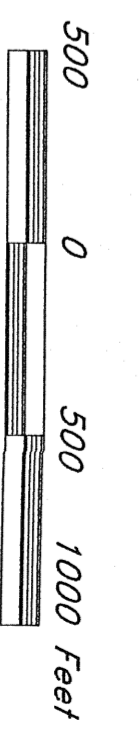
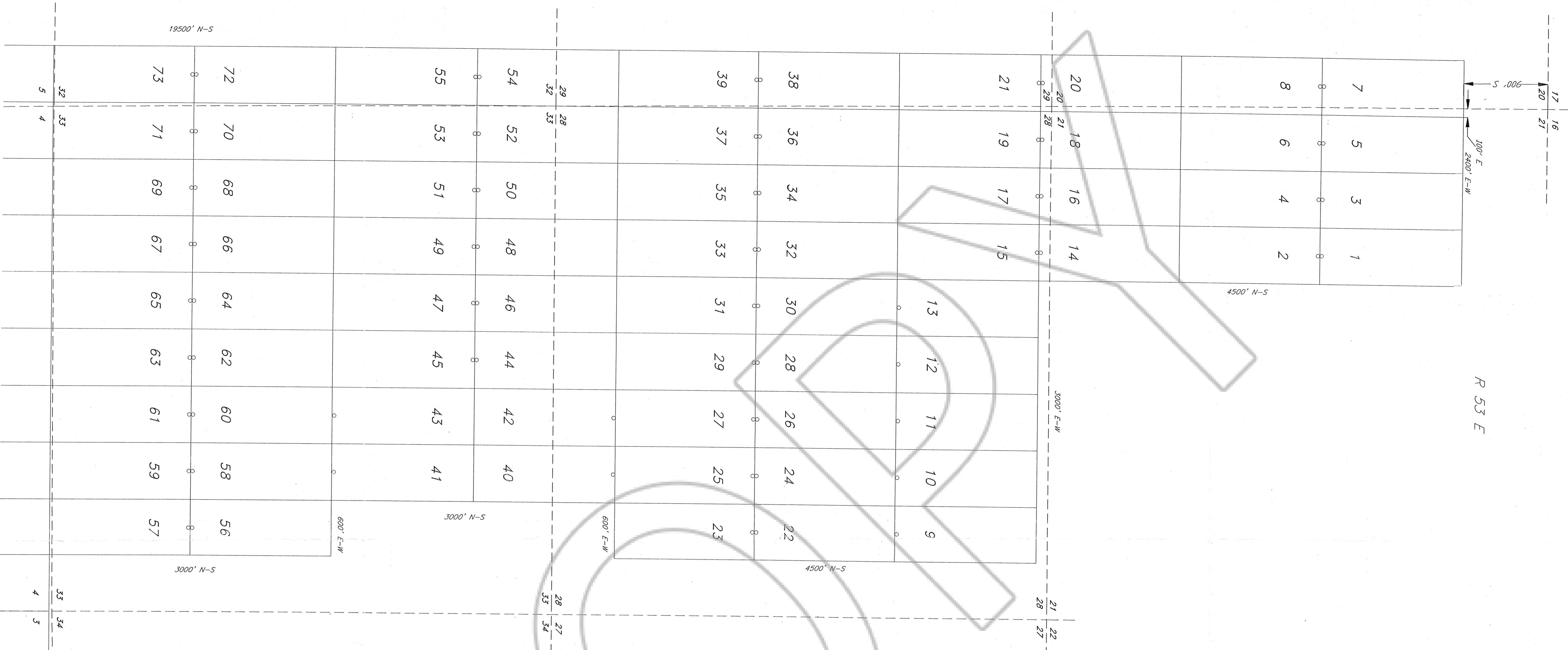
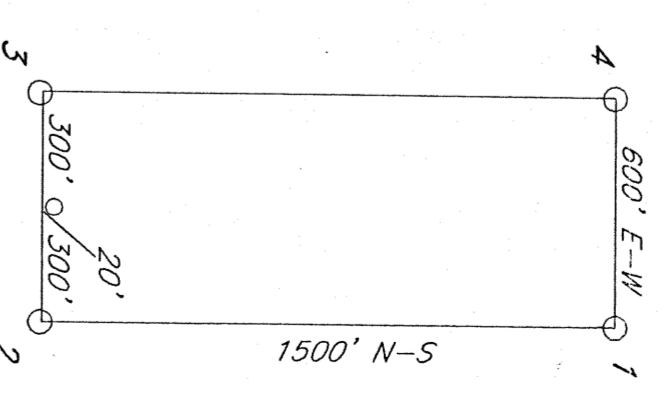
The NE corner of SSV 7 is 900' South and 100' East  
 of the NE corner Section 20, T19N, R53E

NOTES:

All claims are 1500' x 600'

All monuments are 2"x2"x4' wood posts, with location  
 monuments 20' in from end center

TYPICAL CLAIM:



SSV 1 - 201  
 LODGE MINING CLAIMS  
 Sections 3-5, 7-10, 17, 18 T18N, R53E  
 Sections 20, 21, 28, 29, 32, 33 T19N, R53E  
 Eureka County, Nevada  
 November 28, 1995  
 Map 1 of 2

FILED AT THE REQUEST OF: **Horseshoe**  
**Shaver** 12 19 95  
 RECORDS OF EUREKA COUNTY, NEVADA M. N. REBELETTI Recorder  
 File No. **160987**  
 Fee \$ **1095.00**

LOCATOR:  
 HOMESTAKE MINING COMPANY OF CALIFORNIA  
 650 California Street  
 San Francisco, CA 94108

LOCATION:  
 Sections 3-5, 7-10, 17, 18 T18N, R53E  
 Sections 20, 21, 28, 29, 32, 33 T 19N, R53E  
 Eureka County, Nevada

LOCATION DATES:  
 11-7-95 SSV 1-91  
 11-8-95 SSV 92-201

TIE POINT:  
 The NE corner of SSV 7 is 900' South and 100' East  
 of the NE corner Section 20, T19N, R53E

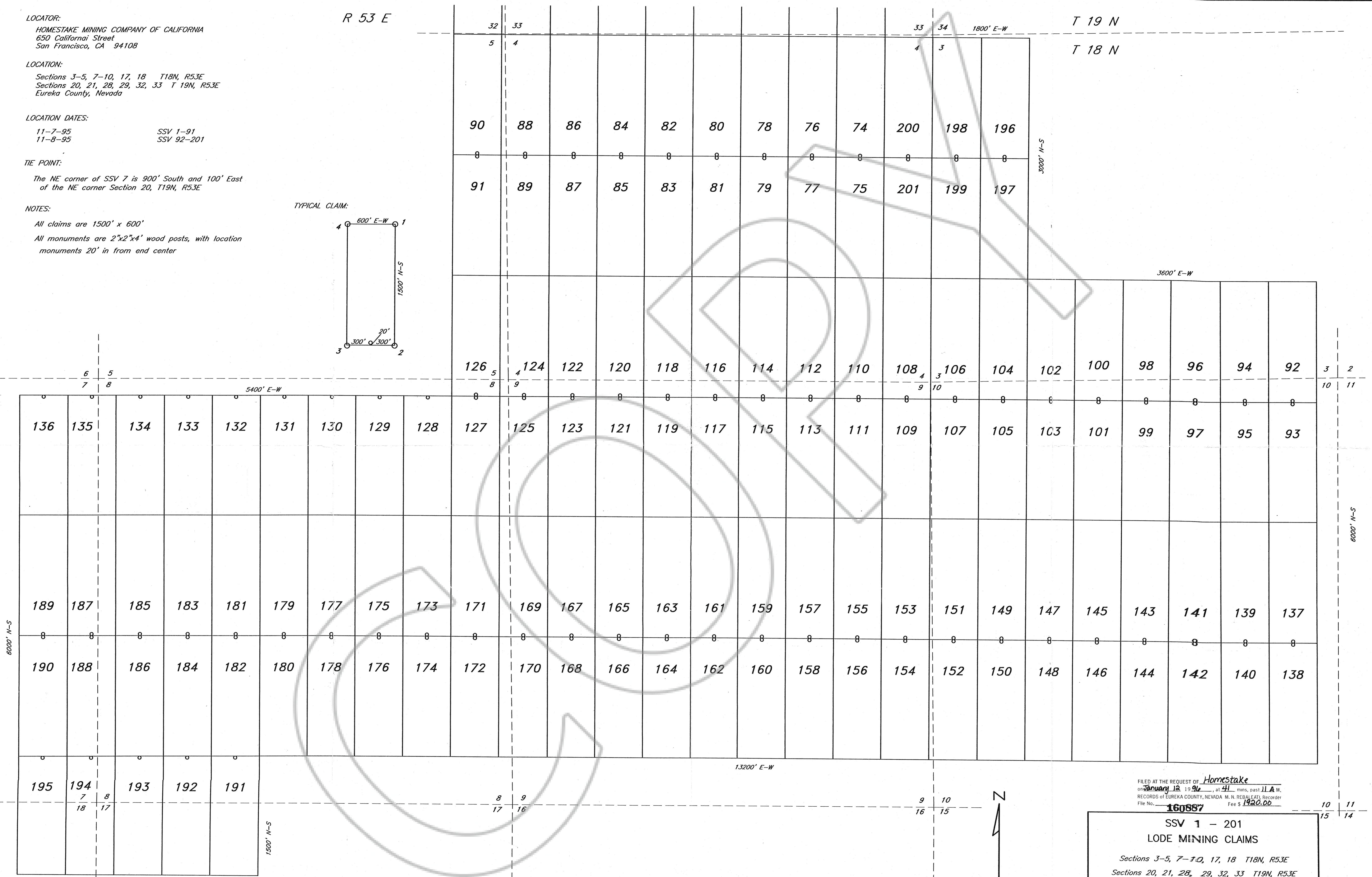
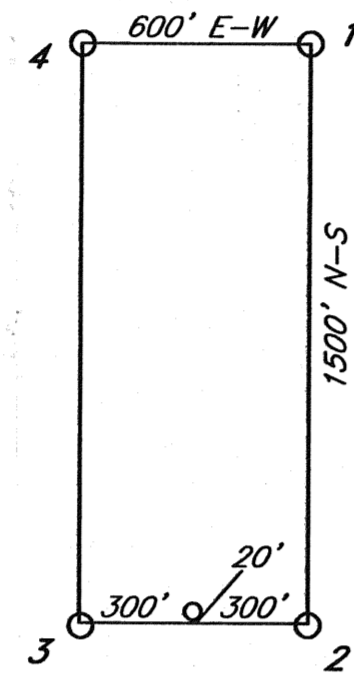
NOTES:  
 All claims are 1500' x 600'  
 All monuments are 2"x2"x4' wood posts, with location  
 monuments 20' in from end center

R 53 E

T 19 N

T 18 N

TYPICAL CLAIM:



FILED AT THE REQUEST OF Homestake  
 on January 18, 1996, at 41 mins, past 11 A.M.  
 RECORDS OF EUREKA COUNTY, NEVADA. M. N. REBAL EAST, Recorder  
 File No. 160887 Fee \$ 1920.00

**SSV 1 - 201**  
**LODE MINING CLAIMS**  
 Sections 3-5, 7-10, 17, 18 T18N, R53E  
 Sections 20, 21, 28, 29, 32, 33 T19N, R53E  
 Eureka County, Nevada  
 November 28, 1995 Map 2 of 2

