

NOTES:

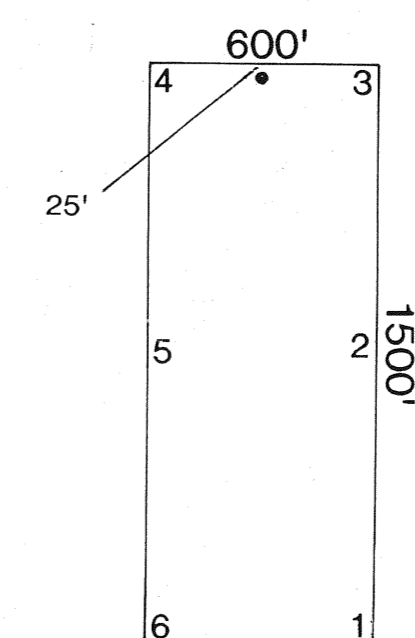
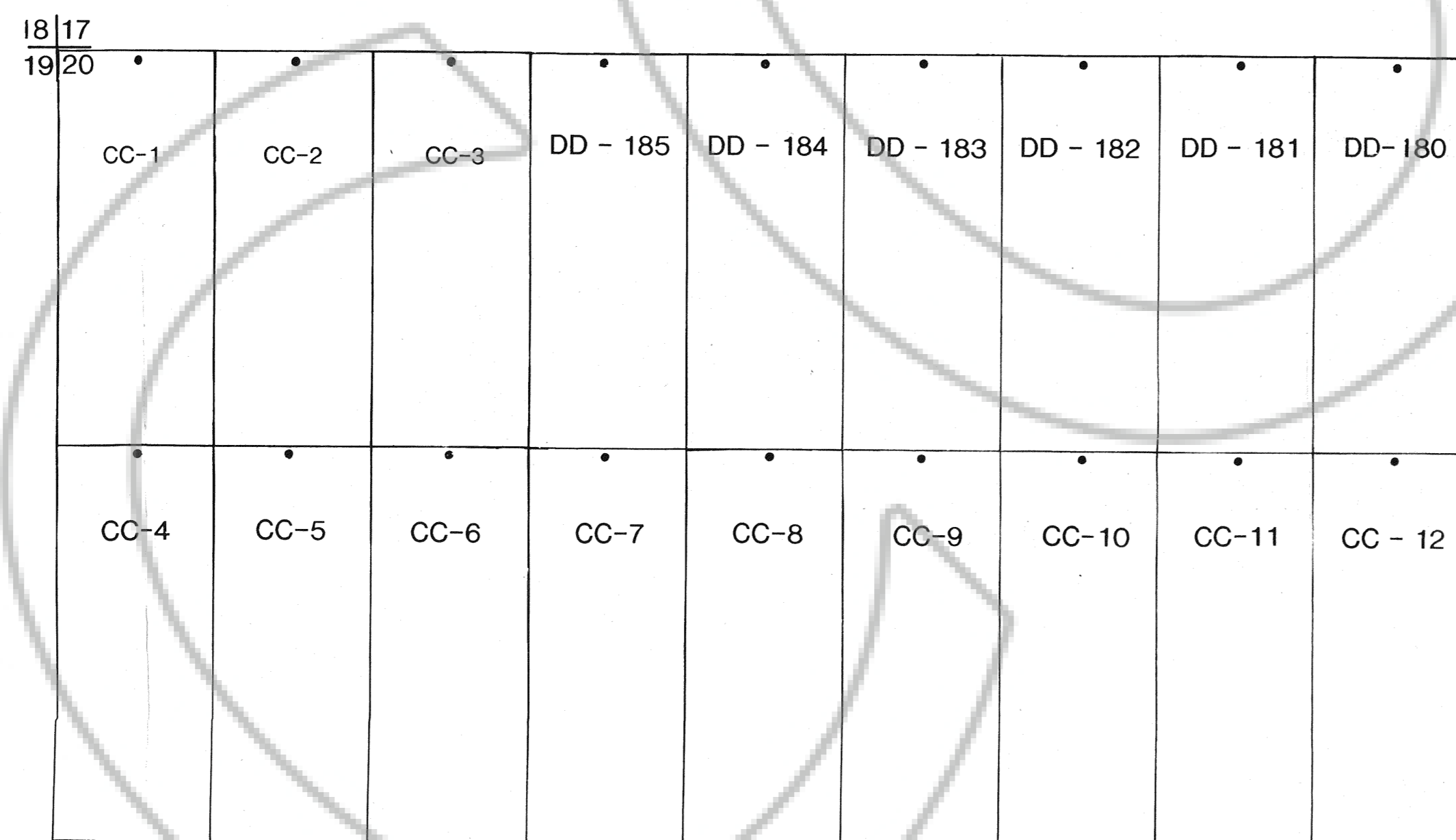
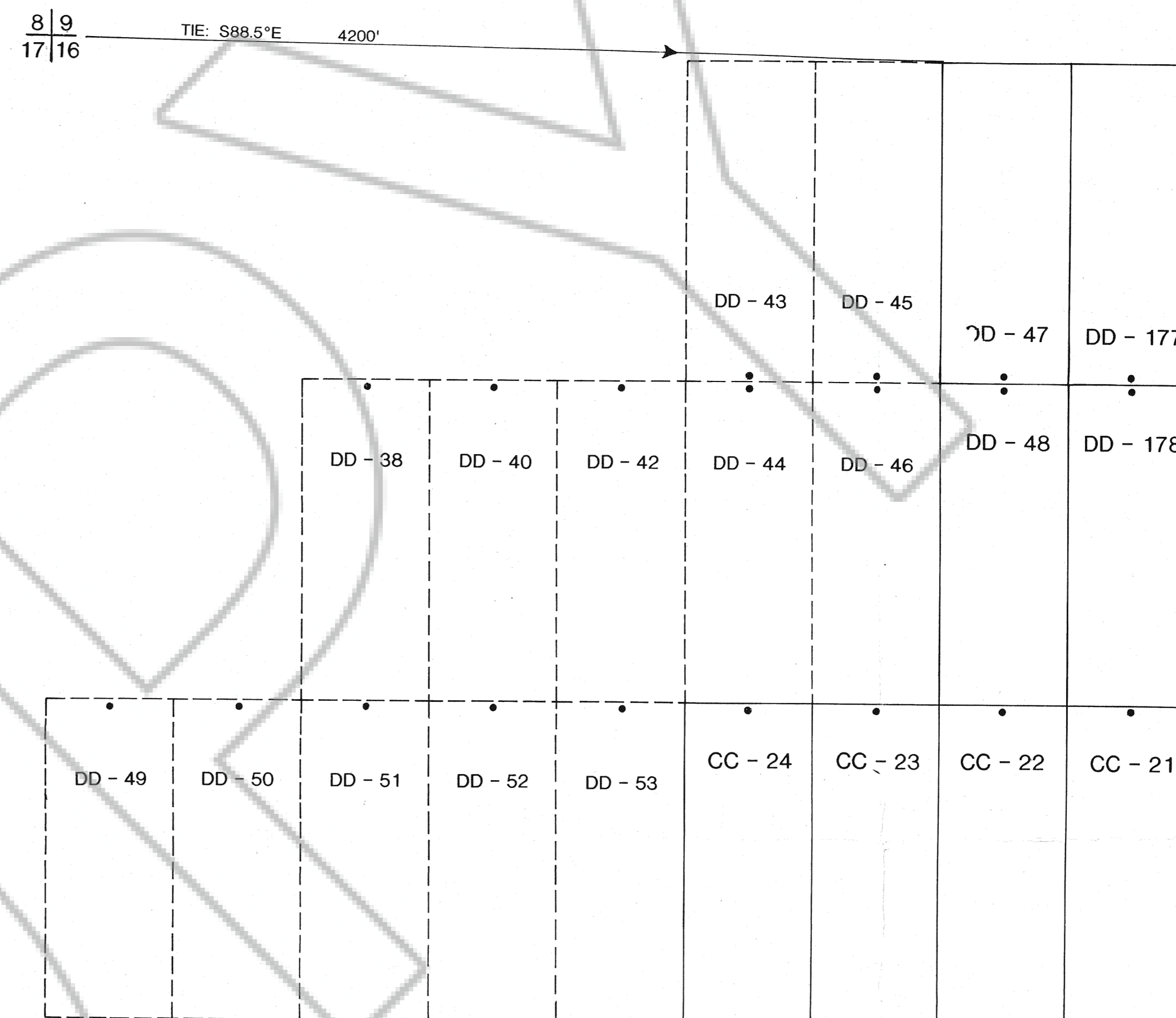
ALL CLAIMS MEASURE 1500' X 600'
 DISCOVERY MONUMENTS ARE LOCATED 25' FROM END LINES

LOCATION: SECTIONS 16 AND 20 T28N, R49E MDM,
 UNKNOWN MINING DISTRICT EUREKA CO., NEVADA

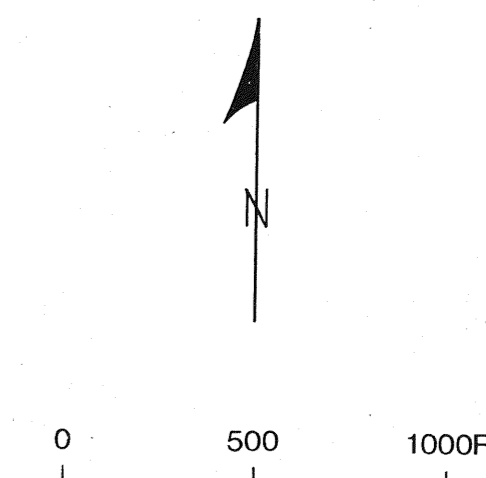
LOCATION DATES:

- EXISTING CLAIMS 38, 40, 42 - 46, 49 - 53 WERE LOCATED JULY 26, 1990
- NOVEMBER 16, 1995
- DD 47 - 48, 177 - 178
- NOVEMBER 17, 1995
- CC 1 - 3, DD 180 - 185
- NOVEMBER 18, 1995
- CC 21 - 24
- NOVEMBER 20, 1995
- CC 4 - 12

TIE: THE NORTHWEST CORNER OF CC#1 IS LOCATED ON THE
 COMMON CORNER OF SECTIONS 18, 17, 19, 20 T28N, R49E
 AND THE NORTHWEST CORNER OF DD #47 IS LOCATED 4200' S88.5°E
 FROM THE COMMON CORNER OF SECTIONS 8, 9, 17 & 16, T28N, R49E MDM



TYPICAL CLAIM



LOCATOR:

BRANCOTE U.S. INC.
 127 CHENEY STREET
 RENO, NEVADA 89501

FILED AT THE REQUEST OF *Brancote U.S. Inc.*
 on *Jan 16 1996* at *51* min. 20th 9th
 RECORDS OF EUREKA COUNTY, NEVADA M. N. REBELEAT
 File No. **160918** Fee \$ **390.00**

CC AND DD LODE CLAIMS
CC - 1 - 12 CC - 21 - 24
DD - 47 - 48, 177 - 185
EUREKA CO., NEVADA