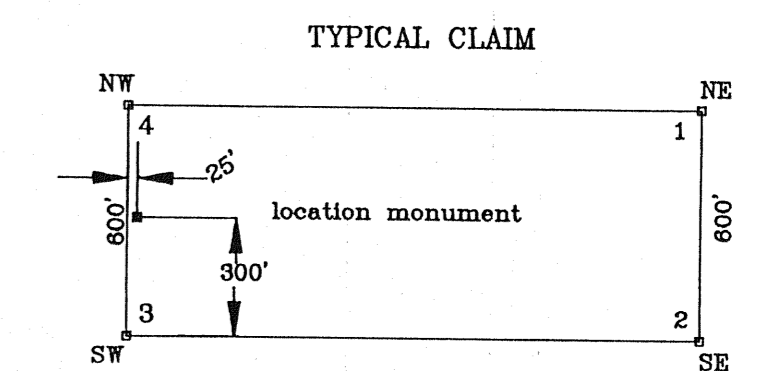
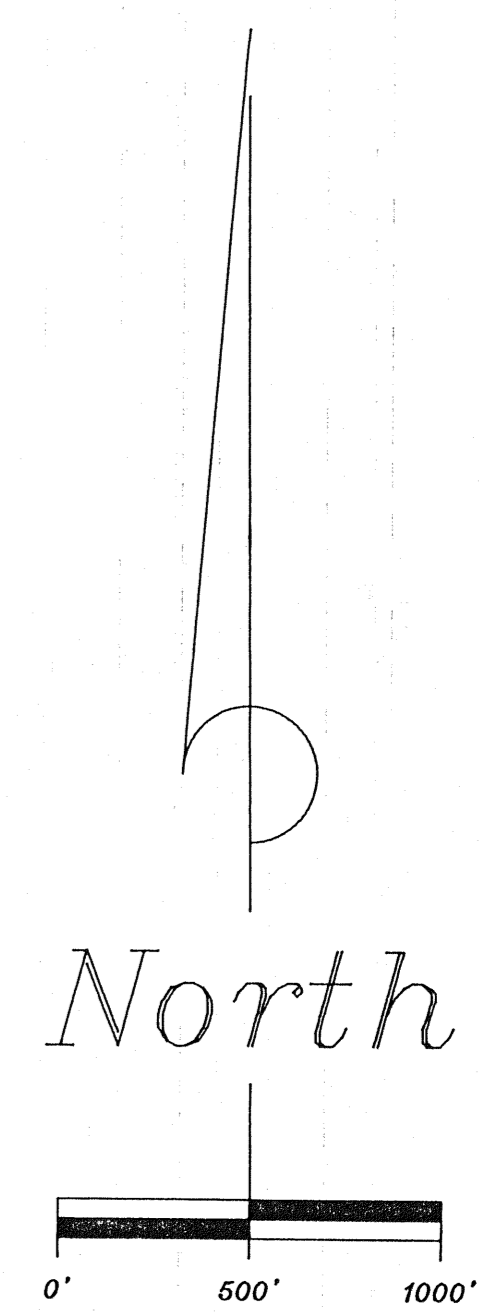
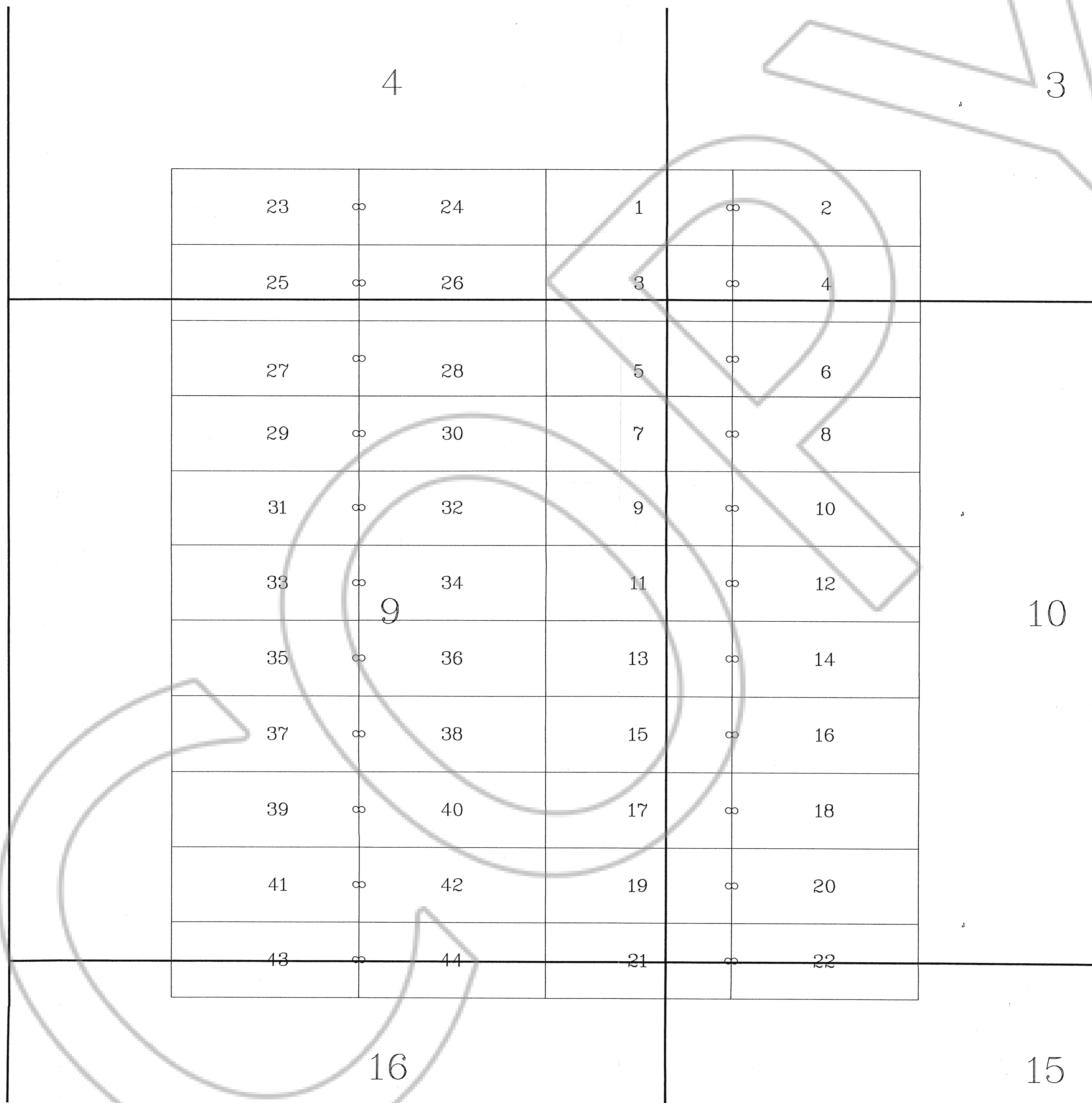


# A MAP OF THE MH LODGE CLAIMS T. 26 N., R. 52 E., M.D.M. EUREKA COUNTY, NEVADA



TIE: The Northeast corner of MH 1 bears South 4246.99 ft. and East 527.33 ft. from the Northeast corner of Sec. 4, T. 26 N., R. 52 E., M.D.M.

NOTE: All corners and location monuments are 2" X 2" X 4' wood posts.

NOTE: All section lines are projected.

DATE OF LOCATION:  
MH 1 to 44 on MARCH 3, 1996.

BASIS OF BEARING:  
The North line of Section 4, T. 26 N., R. 52 E., M.D.M. is assumed to bear East and West.

FILED AT THE REQUEST OF Carl Pescio  
on April 15 1996, at 40 mins, past 11 A.M.  
RECORDS OF EUREKA COUNTY, NEVADA. M. N. REBALEATI, Recorder  
file No. 161824 Fee \$ 660.00

<b>CARL PESCIO</b>	
P.O. BOX 5831 Elko Nevada, 89802	
SURVEYED BY K.S.	DATE 3-26-96
DRAWN BY K.S.	SCALE 1"=500'
E. SCHAAF & ASSOCIATES 301 PALMER DRIVE, COLORADO SPRINGS, CO. 80904 J9602B	
SHEET 1 of 1	