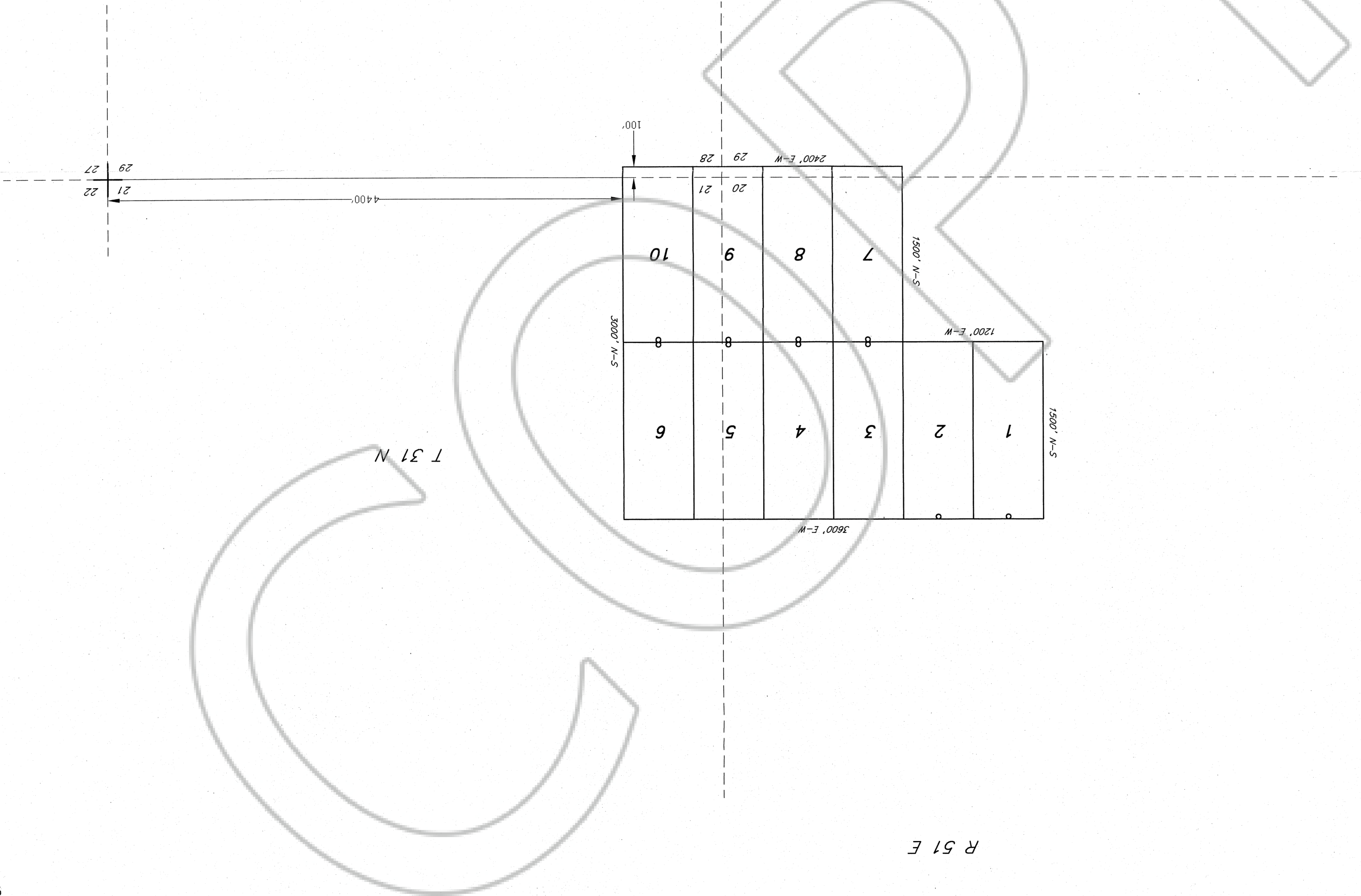


R 51 E

T 31 N



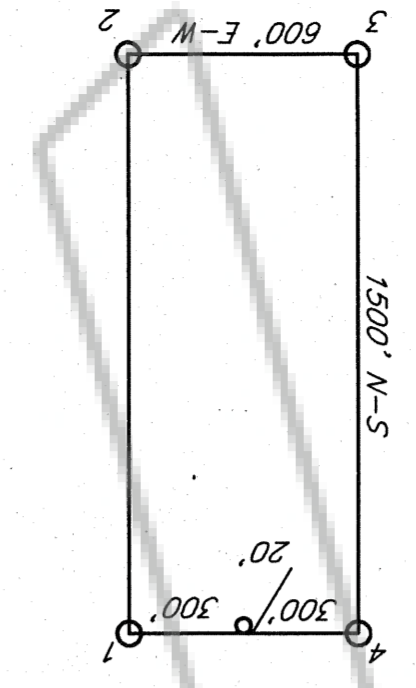
LOCATOR:
James R. Keighley
1055 South Wells Ave., Suite 145
Reno, NV 89502

LOCATION:
Sections 20, 21, 28, 29 T31N, R51E
Eureka County, Nevada

LOCATION DATE:
IRON BLOSSOM 1-10

TIE POINT:
The SE corner of IRON BLOSSOM 10 is 4400' West and
100' South of the SE corner of Section 21, T31N, R51E

NOTES:
All claims are 1500' x 600'
All monuments are 1.5"x5' wood posts.
All location monuments are set at 20' from endlines.



FILED AT THE REQUEST OF
James R. Keighley
May 13 28
19
RECORDS OF EUREKA COUNTY, NEVADA IN N. REGULAR RECORDS
Fee No. 150.00

161896

May 2, 1996

Map 1 of 1

Sections 20, 21, 28, 29 T31N, R51E
Eureka County, Nevada

IRON BLOSSOM 1-10
LODE MINING CLAIMS

