

Location Certificate - - Lode Claim

The undersigned citizen of the United States, hereby declare that on the 3<sup>rd</sup> day of May, 1996, He discovered and located lode bearing gold, silver, or other valuable deposits and on the same day posted the notice of location at the place of discovery and named the lode the CC#1.

The claim is situated in the UNKNOWN Mining District, Eureka County, Nevada being situated in Section 25, 26, 35, 36 Township 24 N Range 49 E.

The general course of the vein or lode is N 56 E and S 56 W and locator claim 1490 feet in a S 56 W direction and 10 feet in a N 56 E direction from discovery monument, together with 300 feet on each side of the center of the vein.

The discovery work consists of maps as required in NRS 517.040. Each of the four corners are marked by TAGED 2X2 WOOD POSTS with an inscription specifying the name and corner of the claim.

Dated this 3<sup>rd</sup> day of MAY, 1996

Agent for: STUE TOCHER 922-510 W HASTINGS ST VANCOUVER BC  
Address 463 178

Locator CUN MINERALS ONE EAST FIRST RENO WASHINGTON COUNTY  
Address NEVADA 89501

BOOK 298 PAGE 001  
OFFICIAL RECORDS  
Recorder's Stamped AT THE REQUEST OF  
CUN Minerals  
96 JUL 17 PM 3:38

EUREKA COUNTY NEVADA  
M.M. REBELEATI, RECORDER  
FILE NO. 163446  
FEES 9.50

BOOK 298 PAGE 001

Location Certificate - - Lode Claim

163447

The undersigned citizen of the United States, hereby declare that on the 3<sup>rd</sup> day of May, 1996. He discovered and located lode bearing gold, silver, or other valuable deposits and on the same day posted the notice of location at the place of discovery and named the lode the CC # 2.

The claim is situated in the (UNKNOWN) Mining District, Eureka County, Nevada being situated in Section 25, 26, 35, 36 Township 24 N Range 49 E.

The general course of the vein or lode is N 56 E and S 56 W and locator claim 1490 feet in a S 56 W direction and 10 feet in a N 56 E direction from discovery monument, together with 300 feet on each side of the center of the vein.

The discovery work consists of maps as required in NRS 517.040.

Each of the four corners are marked by TAGED 2X2 WOOD POSTS with an inscription specifying the name and corner of the claim.

Dated this 3<sup>rd</sup> day of MAY, 1996.

STEVE TOCHER 922-510 W HASTINGS ST VANCOUVER BC  
Agent for: Address U G B 1 L 8

CUM MINERALS ONE EAST FIRST RENO WASHOE COUNTY  
Locator Address NEVADA 89501

BOOK 298 PAGE 002  
OFFICIAL RECORDS  
Recorder's Requested AT THE REQUEST OF  
John Munnolo  
96 JUL 17 PM 3:40

EUREKA COUNTY NEVADA  
M.N. REBALATI, RECORDER  
FEES \$9.50  
FILE NO.

BOOK 298 PAGE 002

163447

Location Certificate - - Lode Claim

163448

The undersigned citizen of the United States, hereby declare that on the 3<sup>rd</sup> day of May, 1996, He discovered and located lode bearing gold, silver, or other valuable deposits and on the same day posted the notice of location at the place of discovery and named the lode the CC# 3.

The claim is situated in the UNKNOWN Mining District, Eureka County, Nevada being situated in Section 25, 26, 35, 36 Township 24 N Range 49 E.

The general course of the vein or lode is N 56 E and S 56 W and locator claim 1490 feet in a S 56 W direction and 10 feet in a N 56 E direction from discovery monument, together with 300 feet on each side of the center of the vein.

The discovery work consists of maps as required in NRS 517.040.

Each of the four corners are marked by TAGED 2X2 WOOD POSTS with an inscription specifying the name and corner of the claim.

Dated this 3<sup>RD</sup> day of May, 1996.

STEVE TOCHER  
Agent for: 922-510 W HASTINGS ST VANCOUVER BC  
Address V 6 B 1 L 8

CUN MINERALS  
Locator: ONE EAST FIRST RENO WASHOE COUNTY  
Address NEVADA 89501

BOOK 298 PAGE 003  
OFFICIAL RECORDS  
Recorder's Station  
RECORDED AT THE REQUEST OF  
Cun Minerals  
96 JUL 17 PM 3:40  
EUREKA COUNTY NEVADA  
M.N. REBALAATI, RECORDER  
FILE NO. 163448  
FEES \$9.50

BOOK 298 PAGE 003

Location Certificate - - Lode Claim

163449

The undersigned citizen of the United States, hereby declare that on the 3<sup>rd</sup> day of May, 1996. He discovered and located lode bearing gold, silver, or other valuable deposits and on the same day posted the notice of location at the place of discovery and named the lode the CC#4.

The claim is situated in the UNKNOWN Mining District, Eureka County, Nevada being situated in Section 25, 26, 35, 36 Township 24 N Range 49 E.

The general course of the vein or lode is N 56 E and S 56 W and locator claim 1490 feet in a S 56 W direction and 10 feet in a N 56 E direction from discovery monument, together with 300 feet on each side of the center of the vein.

The discovery work consists of maps as required in NRS 517.040. Each of the four corners are marked by TAGED 2X2 WOOD POSTS with an inscription specifying the name and corner of the claim.

Dated this 3<sup>RD</sup> day of MAY, 1996.

STUE TOCHER Agent for: 922-510 W HASTINGS ST VANCOUVER BC Address V 6 B 1 L 8

CUN MINERALS Locator ONE EAST FIRST RENO WASH CO COUNTY Address NEVADA 89501

BOOK 298 PAGE 004

OFFICIAL RECORDS RECORDED AT THE REQUEST OF Recorder's Clay Minerals

96 JUL 17 PM 3:40

EUREKA COUNTY NEVADA M.N. REBALCATION RECORDS

163449

BOOK 298 PAGE 04

Location Certificate - - Lode Claim

163450

The undersigned citizen of the United States, hereby declare that on the 3<sup>rd</sup> day of May, 1996. He discovered and located lode bearing gold, silver, or other valuable deposits and on the same day posted the notice of location at the place of discovery and named the lode the CC#5.

The claim is situated in the UNKNOWN Mining District, Eureka County, Nevada being situated in Section 25, 26, 35, 36 Township 24 N Range 49 E.

The general course of the vein or lode is N 56 E and 56 W and locator claim 1490 feet in a 56 W direction and 10 feet in a N 56 E direction from discovery monument, together with 300 feet on each side of the center of the vein.

The discovery work consists of maps as required in NRS 517.040.

Each of the four corners are marked by TAGED 2X2 WOOD POSTS with an inscription specifying the name and corner of the claim.

Dated this 3<sup>rd</sup> day of MAY, 1996.

STEVE TOCHER 922-510 W HASTINGS St VANCOUVER BC  
Agent for: Address U 6 B 1 L 8

CUN MINERALS ONE EAST FIRST RENO WASHOE COUNTY  
Locator Address NEVADA 89501

BOOK 298 PAGE 005  
OFFICIAL RECORDS  
RECORDED AT THE REQUEST OF  
Recorder Don Murata  
96 JUL 17 PM 3:40  
EUREKA COUNTY NEVADA  
M.N. REBAL EATI. RECORDER  
FILE NO. 163450  
FEES 9.50

BOOK 298 PAGE 005

Location Certificate - - Lode Claim

163451

The undersigned citizen of the United States, hereby declare that on the 3<sup>rd</sup> day of May, 1996, He discovered and located lode bearing gold, silver, or other valuable deposits and on the same day posted the notice of location at the place of discovery and named the lode the CC # \_\_\_\_\_ Mining District, Eureka County, Nevada being situated in Section 25, 26, 35, 36 Township \_\_\_\_\_ Range 49E \_\_\_\_\_

The claim is situated in the UNKLEOWN Mining District, Eureka County, Nevada being situated in Section \_\_\_\_\_ Township \_\_\_\_\_ Range 49E \_\_\_\_\_ The general course of the vein or lode is N 56 E \_\_\_\_\_ and \_\_\_\_\_ S 56 W and locator claim 1490 feet in a S 56 W direction and 10 feet in a N 56 E direction from discovery monument, together with 300 feet on each side of the center of the vein.

The discovery work consists of maps as required in NRS 517.040. Each of the four corners are marked by TAGED 2X2 WOOD Posts with an inscription specifying the name and corner of the claim.

Dated this 3<sup>rd</sup> day of May, 1996

STEVE TOCHER  
Agent for: 922-510 W HASTINGS ST WACOVER BC  
Address U & B 1 L 8

CUM MINERALS  
Locator ONE EAST FIRST RENO WASHOE COUNTY  
Address NEVADA 89501

BOOK 298 PAGE 006

163451

EUREKA COUNTY NEVADA  
M.N. REBAL EATI, RECORDER  
FILE NO. FEES \$9.50

BOOK 298 PAGE 006  
OFFICIAL RECORDS  
RECORDED AT THE REQUEST OF  
Recorder's Stamp  
96 JUL 17 PM 3:40  
Cum Minerals

Location Certificate - - Lode Claim

163452

The undersigned citizen of the United States, hereby declare that on the 3<sup>rd</sup> day of May, 1996, He discovered and located lode bearing gold, silver, or other valuable deposits and on the same day posted the notice of location at the place of discovery and named the lode the CC # 7.

The claim is situated in the UNKNOWN Mining District, Eureka County, Nevada being situated in Section 25, 26, 35, 36 Township \_\_\_\_\_ Range 49 E.

The general course of the vein or lode is N 56 E and \_\_\_\_\_

\_\_\_\_\_ feet in a S 56 W direction and 20 feet in a N 56 E direction from discovery monument, together with 300 feet on each side of the center of the vein.

The discovery work consists of maps as required in NRS 517.040. Each of the four corners are marked by TAGED 2X2 WOOD Posts with an inscription specifying the name and corner of the claim.

Dated this 3<sup>rd</sup> day of MAY, 1996.

Agent for: STEVE TOCHER 922-510 W HASTINGS St VANCOUVER BC Address V 6 B 1 L 8

Locator: CUM MINERALS ONE EAST FIRST RENO WASHOE COUNTY Address NEVADA 89501

*[Signature]*

BOOK 298 PAGE 007 OFFICIAL RECORDS RECORDED AT THE REQUEST OF CUM MINERALS Recorder's Stamp

EUREKA COUNTY NEVADA M.N. REBAL EATI, RECORDER FILE NO. FEES \$9.50

163452

BOOK 298 PAGE 007

Location Certificate - - Lode Claim

163453

The undersigned citizen of the United States, hereby declare that on the 3<sup>rd</sup> day of May, 1996. He discovered and located lode bearing gold, silver, or other valuable deposits and on the same day posted the notice of location at the place of discovery and named the lode the CC #8.

The claim is situated in the UNKOWN Mining District, Eureka County, Nevada being situated in Section 25, 26, 35, 36 Township 24 N Range 49 E.

The general course of the vein or lode is N 56 E and S 56 W and locator claim 1490 feet in a S 56 W direction and 10 feet in a N 56 E direction from discovery monument, together with 300 feet on each side of the center of the vein.

The discovery work consists of maps as required in NRS 517.040.

Each of the four corners are marked by TAGED 2X2 WOOD Posts with an inscription specifying the name and corner of the claim.

Dated this 3<sup>RD</sup> day of MAY, 1996.

Agent for: STUE TOCHER 922-510 W HASTINGS ST VANCOUVER BC  
Address U G B 1 L 8

Locator CON MINERALS ONE EAST FIRST RENO WASHOE COUNTY  
Address NEVADA 89501

*[Handwritten Signature]*

BOOK 298 PAGE 008

163453

BOOK 298 PAGE 008  
OFFICIAL RECORDS  
RECORDED AT THE REQUEST OF  
CUN MURRAY  
Recorder's Stamp  
96 JUL 17 PM 3:41  
EUREKA COUNTY NEVADA  
M.N. REBAL EATI. RECORDER  
FILE NO. FEES \$2.50



Location Certificate - - Lode Claim

163454

The undersigned citizen of the United States, hereby declare that on the 3<sup>rd</sup> day of May, 1996, He discovered and located lode bearing gold, silver, or other valuable deposits and on the same day posted the notice of location at the place of discovery and named the lode the CC#9.

The claim is situated in the UNKNOWN Mining District, Eureka County, Nevada being situated in Section 25, 26, 35, 36 Township 24 N Range 49 E.

The general course of the vein or lode is N 56 E and S 56 W and locator claim 1490 feet in a S 56 W direction and 10 feet in a N 56 E direction from discovery monument, together with 300 feet on each side of the center of the vein.

The discovery work consists of maps as required in NRS 517.040. Each of the four corners are marked by TAGED 2X2 WOOD Posts with an inscription specifying the name and corner of the claim.

Dated this 3<sup>RD</sup> day of MAY, 1996.

Agent for: STUE TOCHER 922-510 W HASTINGS ST VANCOUVER BC  
Address V 6 B 1 C 8

Locator CUM MINERALS ONE EAST FIRST RENO WASHOE COUNTY  
Address NEVADA 89501

Recorder's Stamp  
BOOK 298 PAGE 009  
OFFICIAL RECORDS  
RECORDED AT THE REQUEST OF  
Can Minerals  
96 JUL 17 PM 3:41  
EUREKA COUNTY NEVADA  
M.N. REBAL EATL. RECORDER  
FILE NO. 163454  
FEES \$9.50

BOOK 298 PAGE 009

Location Certificate - - Lode Claim

163455

The undersigned citizen of the United States, hereby declare that on the 3<sup>rd</sup> day of May, 1996. He discovered and located lode bearing gold, silver, or other valuable deposits and on the same day posted the notice of location at the place of discovery and named the lode the GC#10.

The claim is situated in the UNKNOWN Mining District, Eureka County, Nevada being situated in Section 25, 26, 35, 36 Township 24 N Range 49 E.

The general course of the vein or lode is N 56 E and S 56 W and locator claim 1490 feet in a S 56 W direction and 10 feet in a N 56 E direction from discovery monument, together with 300 feet on each side of the center of the vein.

The discovery work consists of maps as required in NRS 517.040. Each of the four corners are marked by TAGED 2X2 WOOD POSTS with an inscription specifying the name and corner of the claim.

Dated this 3<sup>RD</sup> day of MAY, 1996.

Agent for: STEVE TOCHER 922-510 W HASTINGS<sup>ST</sup> VANCOUVER BC  
Address UGB 118

Locator CUN MINERALS ONE EAST FIRST<sup>ST</sup> RENO WASHOE COUNTY  
Address NEUNDA 89501

*[Signature]*

BOOK 298 PAGE 010  
OFFICIAL RECORDS  
RECORDED AT THE REQUEST OF  
C. N. Munkato  
96 JUL 17 PM 3:41  
EUREKA COUNTY NEVADA  
M.N. REBAL EATI, RECORDER  
FILE NO. 163455  
FEES 9.50

BOOK 298 PAGE 10

Location Certificate - - Lode Claim

163456

The undersigned citizen of the United States, hereby declare that on the 3<sup>rd</sup> day of May, 1996, He discovered and located a lode bearing gold, silver, or other valuable deposits and on the same day posted the notice of location at the place of discovery and named the lode the CC # 61 (Name of claim)

The claim is situated in the UNKNOWN Mining

District, Mineral County, Nevada being situated in Sections 25, 26, 35, 36

Township 24 N Range 49 E

The general course of the vein or lode is N56E and S56W and

locator claim feet in a S56W direction and 1490

feet in a N56E direction from discovery monument, together with 300

feet on each side of the center of the vein.

The discovery work consists of maps as required in NRS 517.040.

Each of the four corners and the side centers are marked by TAGED 2X2

WOODEN POSTS inscribed with the name of the claim and the name and number of

the corner.

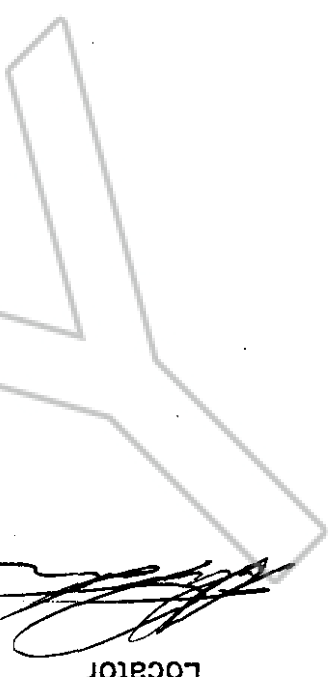
Dated this 3<sup>rd</sup> day of May, 1996.

CUN Minerals, Inc. One East First Street, Reno, Washoe County, Nevada 89501

Agent - Steve Tocher 922-510 W HASTINGS St / ANCOVER BC Address V6 B 1 L8

Locator

BOOK 298 PAGE 011  
OFFICIAL RECORDS  
RECORDED AT THE REQUEST OF  
D. N. MURPHY  
96 JUL 17 PM 3:41  
EUREKA COUNTY NEVADA  
M.N. REBAL EATL. RECORDER  
FILE NO. FEES \$9.50  
163456  
BOOK 298 PAGE 011



Location Certificate - - Lode Claim 163457

The undersigned citizen of the United States, hereby declare that on the 3<sup>RD</sup> day of May, 1996, He discovered and located a lode bearing gold, silver, or other valuable deposits and on the same day posted the notice of location at the place of discovery and named the lode the CC # 62

The claim is situated in the UNKNOWN Mining (Name of claim) District, Mineral County, Nevada being situated in Sections 25, 26, 35, 36 Township 24 N Range 49 E

The general course of the vein or lode is N56E and S56W and locator claim 10 feet in a S56W direction and 1490 feet in a N56E direction from discovery monument, together with 300 feet on each side of the center of the vein.

The discovery work consists of maps as required in NRS 517.040. Each of the four corners and the side centers are marked by TAGED 2X2

WOODEN POSTS inscribed with the name of the claim and the name and number of the corner.

Dated this 3<sup>RD</sup> day of May, 1996.

CUN Minerals, Inc. One East First Street, Reno, Washoe County, Nevada 89501

Locator Address Agent - STAVE TOCHER 922-510 W HASTINGS St / ANCOVER BC Address V6 B 128

Locator

BOOK 298 PAGE 012  
OFFICIAL RECORDS  
RECORDED AT THE REQUEST OF Recorder's Stamp  
CUN Minerals  
96 JUL 17 PM 3:41  
EUREKA COUNTY NEVADA  
M.N. REBAL EATL. RECORDER  
FILE NO. 163457  
FEE \$ 50  
BOOK 298 PAGE 012



Location Certificate - - Lode Claim

163458

The undersigned citizen of the United States, hereby declare that on the 3<sup>RD</sup> day of May, 1996, He discovered and located a lode bearing gold, silver, or other valuable deposits and on the same day posted the notice of location at the place of discovery and named the lode the CC # 63 (Name of claim) Mining

The claim is situated in the UNKNOWN District, Mineral County, Nevada being situated in Sections 25, 26, 35, 36 Township 24 N Range 49 E

The general course of the vein or lode is N56E and S56W and locator claim 10 feet in a S56W direction and 1490 feet in a N56E direction from discovery monument, together with 300 feet on each side of the center of the vein.

The discovery work consists of maps as required in NRS 517.040.

Each of the four corners and the side centers are marked by TAGED 2X2 WOODEN POSTS inscribed with the name of the claim and the name and number of the corner.

Dated this 3<sup>RD</sup> day of May, 1996.

CUN Minerals, Inc. One East First Street, Reno, Washoe County, Nevada 89501

Agent - Steve Tocher 922-510 W HASTINGS St / ANCOVER BC Address V6 B 128

Locator

BOOK 298 PAGE 013  
OFFICIAL RECORDS  
RECORDED AT THE REQUEST OF  
CUN Minerals  
96 JUL 17 PM 3:41  
EUREKA COUNTY, NEVADA  
M.N. REBAL EATL. RECORDER  
FILE NO. 163458  
FEE \$ 50  
Recorder's Stamp

BOOK 298 PAGE 013

Location Certificate - - Lode Claim

163459

The undersigned citizen of the United States, hereby declare that on the 3<sup>RD</sup>, day of May, 1996, He discovered and located a lode bearing

gold, silver, or other valuable deposits and on the same day posted the notice of

location at the place of discovery and named the lode the C#64 (Name of claim)

The claim is situated in the Mining UNKNOWN

District, Mineral County, Nevada being situated in Sections 25, 26, 35, 36

Township 24<sup>N</sup> Range 49<sup>E</sup>

The general course of the vein or lode is N56E and S56W and

locator claim 10 feet in a S56W direction and 1490

feet in a N56E direction from discovery monument, together with 300

feet on each side of the center of the vein.

The discovery work consists of maps as required in NRS 517.040.

Each of the four corners and the side centers are marked by TAGED 2X2

WOODEN POSTS inscribed with the name of the claim and the name and number of

the corner.

Dated this 3<sup>RD</sup> day of May, 1996.

CUN Minerals, Inc. One East First Street, Reno, Washoe County, Nevada 89501

Locator Address

Agent - STAVE TOWER 922-510 W HASTINGS St/LANCOUVER BC

Locator Address U6 B 1 L8

Agent - STAVE TOWER

Locator

Address

Address

Address

Address

Address

Address

Address

Address

Address

Address

Address

Address

Address

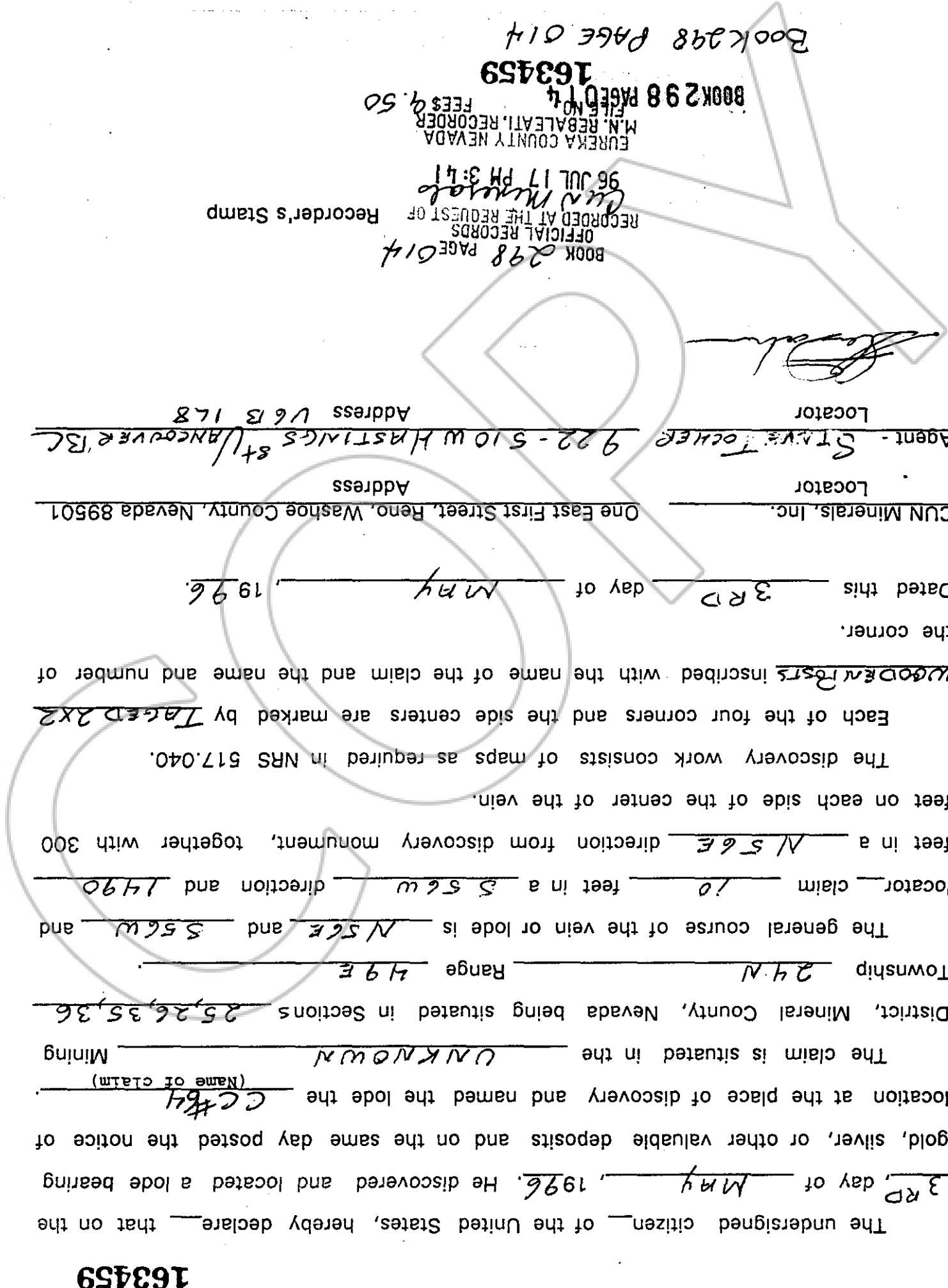
Address

Address

Address

BOOK 298 PAGE 014  
OFFICIAL RECORDS  
RECORDED AT THE REQUEST OF  
CUN Minerals  
96 JUL 17 PM 3:41  
EUREKA COUNTY NEVADA  
M.N. REBAL EATL. RECORDER  
FILE NO. 163459  
FEE \$ 9.50  
BOOK 298 PAGE 014

*[Signature]*



Location Certificate - - Lode Claim

163460

The undersigned citizen of the United States, hereby declare that on the 3<sup>RD</sup> day of May, 1996, He discovered and located a lode bearing gold, silver, or other valuable deposits and on the same day posted the notice of location at the place of discovery and named the lode the CC #85 (Name of claim)

The claim is situated in the UNKNOWN Mining District, Mineral County, Nevada being situated in Sections 25, 26, 35, 36 Township 24 N Range 49 E

The general course of the vein or lode is N56E and S56W and locator claim 10 feet in a S56W direction and 1490 feet in a N56E direction from discovery monument, together with 300 feet on each side of the center of the vein.

The discovery work consists of maps as required in NRS 517.040. Each of the four corners and the side centers are marked by TAGED 2X2 WOODEN POSTS inscribed with the name of the claim and the name and number of the corner.

Dated this 3<sup>RD</sup> day of May, 1996.

CUN Minerals, Inc. One East First Street, Reno, Washoe County, Nevada 89501

Agent - STIVE TOCHER 922-510 W HASTINGS St WANCOVER BC Address V6 B 1 L8

Locator

BOOK 298 PAGE 015  
OFFICIAL RECORDS  
RECORDED AT THE REQUEST OF Recorder's Stamp  
CUN Minerals  
96 JUL 17 PM 3:42  
EUREKA COUNTY NEVADA  
M.N. REBAL/EA/TI, RECORDER  
FILE NO. 163460  
FEES \$7.50  
BOOK 298 PAGE 015

BOOK 298 PAGE 015

Location Certificate - - Lode Claim

163461

The undersigned citizen of the United States, hereby declare that on the 3<sup>RD</sup> day of May, 1996. He discovered and located a lode bearing gold, silver, or other valuable deposits and on the same day posted the notice of location at the place of discovery and named the lode the CC# 66 (Name of claim)

The claim is situated in the UNKNOWN Mining District, Mineral County, Nevada being situated in Sections 25, 26, 35, 36 Township 24 N Range 49 E

The general course of the vein or lode is N 56 E and S 56 W and locator claim 10 feet in a S 56 W direction and 1490 feet in a N 56 E direction from discovery monument, together with 300 feet on each side of the center of the vein.

The discovery work consists of maps as required in NRS 517.040. Each of the four corners and the side centers are marked by Tagged 2X2 WOODEN POSTS inscribed with the name of the claim and the name and number of the corner.

Dated this 3<sup>RD</sup> day of May, 1996.

CUN Minerals, Inc. One East First Street, Reno, Washoe County, Nevada 89501  
Locator Address

Agent - Steve Tocher 922-510 W HASTINGS St VANCOUVER BC  
Locator Address V 6 B 1 L 8

*[Signature]*

BOOK 298 PAGE 016  
OFFICIAL RECORDS  
RECORDED AT THE REQUEST OF  
CUN Minerals  
Recorder's Stamp  
96 JUL 17 PM 3:42  
EUREKA COUNTY NEVADA  
M.N. REBAL EATL. RECORDER  
FILE NO. 163461  
FEES \$9.50

BOOK 298 PAGE 016



Location Certificate - - Lode Claim

163462

The undersigned citizen of the United States, hereby declare that on the 3<sup>RD</sup> day of May, 1996. He discovered and located a lode bearing gold, silver, or other valuable deposits and on the same day posted the notice of location at the place of discovery and named the lode the CC # 67 (Name of claim)

The claim is situated in the UNKNOWN Mining

District, Mineral County, Nevada being situated in Sections 25, 26, 35, 36

Township 24 N Range 49 E

The general course of the vein or lode is N 56 E and S 56 W and

locator claim 10 feet in a S 56 W direction and 1490

feet in a N 56 E direction from discovery monument, together with 300

feet on each side of the center of the vein.

The discovery work consists of maps as required in NRS 517.040.

Each of the four corners and the side centers are marked by Tagged 2X2

WOODEN POSTS inscribed with the name of the claim and the name and number of

the corner.

Dated this 3<sup>RD</sup> day of May, 1996.

CUN Minerals, Inc. One East First Street, Reno, Washoe County, Nevada 89501

Locator Address

Agent - Steve Tocher 922-510 W HASTINGS 8<sup>th</sup> W ANCOVER BC Address V 6 B 1 L 8 Locator

*Steve Tocher*

BOOK 298 PAGE 017  
OFFICIAL RECORDS  
RECORDED AT THE REQUEST  
Recorder's Stamp  
Can Minerals  
96 JUL 17 PM 3:42  
EUREKA COUNTY NEVADA  
M.N. REBALANCE RECORDER  
FILE NO. 163462  
FEES 9.50

BOOK 298 PAGE 17

Location Certificate - - Lode Claim

163463

The undersigned citizen of the United States, hereby declare that on the 3<sup>RD</sup> day of May, 1996, He discovered and located a lode bearing

gold, silver, or other valuable deposits and on the same day posted the notice of location at the place of discovery and named the lode the CC # 68

(Name of claim) Mining

The claim is situated in the UNKNOWN District, Mineral County, Nevada being situated in Sections 25, 26, 35, 36

Township 24 N Range 49 E

The general course of the vein or lode is N56E and S56W and

locator claim 10 feet in a S56W direction and 1490

feet in a N56E direction from discovery monument, together with 300

feet on each side of the center of the vein.

The discovery work consists of maps as required in NRS 517.040.

Each of the four corners and the side centers are marked by TAGED 2X2

WOODEN POSTS inscribed with the name of the claim and the name and number of

the corner.

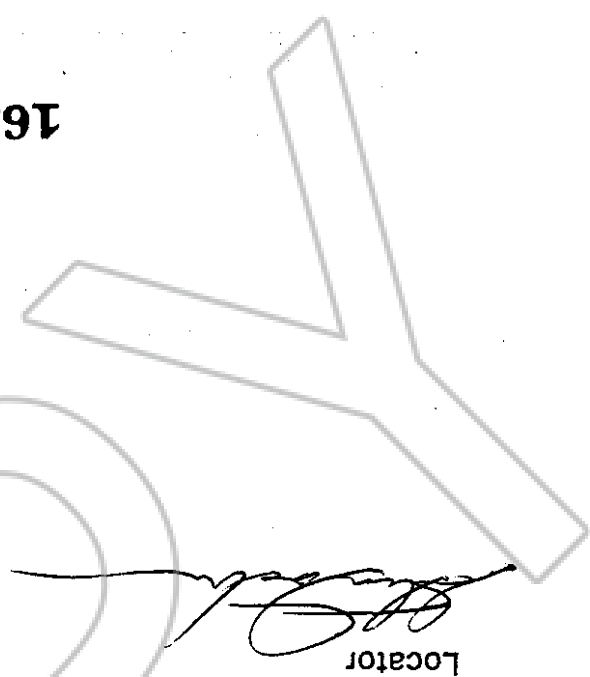
Dated this 3<sup>RD</sup> day of May, 1996.

CUN Minerals, Inc. One East First Street, Reno, Washoe County, Nevada 89501

Locator Address

Agent - STEVE TOSHER 922-510 W HASTINGS St / ANCOVER BC

Locator Address U6 B 1 L8



BOOK 298 PAGE 018  
OFFICIAL RECORDS  
RECORDED AT THE REQUEST OF  
Recorder's Stamp  
CUN Minerals  
96 JUL 17 PM 3:42  
EUREKA COUNTY NEVADA  
M.N. REBAL EATL. RECORDER  
FILE NO.  
FEES \$9.50  
163463

BOOK 298 PAGE 018

Location Certificate - - Lode Claim

163464

The undersigned citizen of the United States, hereby declare that on the 3<sup>RD</sup> day of May, 1996. He discovered and located a lode bearing gold, silver, or other valuable deposits and on the same day posted the notice of location at the place of discovery and named the lode the CC # 79 (Name of claim)

The claim is situated in the UNKNOWN Mining District, Mineral County, Nevada being situated in Sections 25, 26, 35, 36 Township 24 N Range 49 E

The general course of the vein or lode is N 56 E and S 56 W and locator claim 10 feet in a S 56 W direction and 1490 feet in a N 56 E direction from discovery monument, together with 300 feet on each side of the center of the vein.

The discovery work consists of maps as required in NRS 517.040. Each of the four corners and the side centers are marked by Tagged 2x2 WOODEN POSTS inscribed with the name of the claim and the name and number of the corner.

Dated this 3<sup>RD</sup> day of May, 1996.

CUN Minerals, Inc. One East First Street, Reno, Washoe County, Nevada 89501

Locator Address  
Agent - STEVE TOSHER 922-510 W HASTINGS St VANCOUVER BC  
Locator Address U6 B 1 L 8

*[Signature]*

BOOK 298 PAGE 019  
OFFICIAL RECORDS  
RECORDED AT THE REQUEST OF  
CUN Minerals  
Recorder's Stamp  
96 JUL 17 PM 3:42  
EUREKA COUNTY NEVADA  
M.N. REBAL EATI. RECORDER  
FILE NO.  
FEES \$9.50

163464

BOOK 298 PAGE 019

Location Certificate - - Lode Claim

163465

The undersigned citizen of the United States, hereby declare that on the 3<sup>RD</sup> day of May, 1996. He discovered and located a lode bearing gold, silver, or other valuable deposits and on the same day posted the notice of location at the place of discovery and named the lode the CC #70

(Name of claim) UNKNOWN Mining

The claim is situated in the UNKNOWN District, Mineral County, Nevada being situated in Sections 25, 26, 35, 36 Township 24 N Range 49 E

The general course of the vein or lode is N56E and S56W and locator claim 10 feet in a S56W direction and 1490 feet in a N56E direction from discovery monument, together with 300 feet on each side of the center of the vein.

The discovery work consists of maps as required in NRS 517.040. Each of the four corners and the side centers are marked by TAGED 2X2

WOODEN POSTS inscribed with the name of the claim and the name and number of the corner.

Dated this 3<sup>RD</sup> day of May, 1996.

CUN Minerals, Inc. One East First Street, Reno, Washoe County, Nevada 89501

Locator Address 922-510 W HASTINGS St WANCOVER BC Address V6 B 1L8

*[Signature]*  
Locator

BOOK 298 PAGE 020  
OFFICIAL RECORDS  
RECORDED AT THE REQUEST OF  
CUN Minerals  
Recorder's Stamp  
96 JUL 17 PM 3:42  
EUREKA COUNTY NEVADA  
M.M. REBALCATTI, RECORDER  
FILE NO. 9.50  
FEES 9.50

163465

BOOK 298 PAGE 020

Location Certificate - - Lode Claim

163466

The undersigned citizen of the United States, hereby declare that on the 14<sup>th</sup> day of May, 1926 He discovered and located lode bearing gold, silver, or other valuable deposits and on the same day posted the notice of location at the place of discovery and named the lode the WIN # 154.

The claim is situated in the UNKNOWN Mining District, Eureka County, Nevada being situated in Section 13, 18, 24 Township 24 N Range 49 E.

The general course of the vein or lode is N 56 E and S 6 W and locator claim 10 feet in a S 6 W direction and 1490 feet in a N 56 E direction from discovery monument, together with 300 feet on each side of the center of the vein.

The discovery work consists of maps as required in NRS 517.040.

Each of the four corners are marked by Taped 2x2 Wood Posts with an inscription specifying the name and corner of the claim.

Dated this 4<sup>th</sup> day of May, 1926

Agent for: STEVARTORR 922-510 W HASTINGS ST LANCASTER BC Address U 6 B 1 L 8

Locator CON MINERALS One East First St Reno Washoe County Address NEVADA 89501

BOOK 298 PAGE 021

OFFICIAL RECORDS RECORDED AT THE REQUEST OF CUN Minerals Recorder's Stamp 96 JUL 17 PM 3:42

EUREKA COUNTY NEVADA M.N. REBAL EATL. RECORDER FILE NO. FEES \$ 9.50

163466

BOOK 298 PAGE 021

Location Certificate - - Lode Claim

The undersigned citizen of the United States, hereby declare that on the 4th day of MAY, 1996, He discovered and located lode bearing gold, silver, or other valuable deposits and on the same day posted the notice of location at the place of discovery and named the lode the WIN # 155.

The claim is situated in the UNKNOWN Mining District, Eureka County, Nevada being situated in Section 13, 18, 24 Township \_\_\_\_\_

\_\_\_\_\_ Range 49E

The general course of the vein or lode is N56E and \_\_\_\_\_

S6W and locator claim \_\_\_\_\_ 10 feet in a S6W direction and 1990

feet in a N56E direction from discovery monument, together with 300 feet on each side of the center of the vein.

The discovery work consists of maps as required in NRS 517.040.

Each of the four corners are marked by TAGED 2X2 WOOD POSTS with an

inscription specifying the name and corner of the claim.

Dated this 4th day of MAY, 1996

Agent for: STEVETORNER 922-510 W HASTINGS ST WANCOVER BC  
Address 463 128

Locator Con Minerals One East First St Reno Washoe County  
Address NEVADA 89501

BOOK 298 PAGE 022

OFFICIAL RECORDS RECORDED AT THE REQUEST OF DAN SHIMMELD Recorder's Stamp 96 JUL 17 PM 3:42

EUREKA COUNTY NEVADA M.N. REBAL/ATI. RECORDER FILE NO. FEES \$9.50

Location Certificate - - Lode Claim

The undersigned citizen of the United States, hereby declare that on the 14<sup>th</sup> day of May, 1926 He discovered and located lode bearing gold, silver, or other valuable deposits and on the same day posted the notice of location at the place of discovery and named the lode the WIN # 156.

The claim is situated in the UNKNOW Mining District, Eureka County, Nevada being situated in Section 13, 18, 24 Township \_\_\_\_\_ Range 49 E.

The general course of the vein or lode is N 56 E and \_\_\_\_\_ and locator claim \_\_\_\_\_ feet in a S 56 W direction and 1990 feet in a N 56 E direction from discovery monument, together with 300 feet on each side of the center of the vein.

The discovery work consists of maps as required in NRS 517.040. Each of the four corners are marked by TAGED 2 X 2 WOOD POSTS with an inscription specifying the name and corner of the claim.

Dated this 4<sup>th</sup> day of May 1998

Agent for: STUART TORR 922-510 W HASTINGS ST VANCOUVER BC  
Address U 6 B 1 L 8

Locator CON MINERALS ONE EAST FIRST ST RENO WASHOR COUNTY  
Address NEVADA # 89501

*[Signature]*

BOOK 298 PAGE 23  
OFFICIAL RECORDS  
RECORDED AT THE REQUEST OF  
WIN # 156  
Recorder's Stamp  
96 JUL 17 PM 3:43  
EUREKA COUNTY NEVADA  
M.N. REBAL EATI, RECORDER  
FILE NO. 163468  
FEES \$ 2.50

Location Certificate - - Lode Claim

The undersigned citizen of the United States, hereby declare that on the 14th day of May, 1996 He discovered and located lode bearing gold, silver, or other valuable deposits and on the same day posted the notice of location at the place of discovery and named the lode the WIM #195.

The claim is situated in the UNKNOWN Mining District, Eureka County, Nevada being situated in Sections 13, 18, 24 Township \_\_\_\_\_ Range 49E.

The general course of the vein or lode is N56E and 556W and locator claim 1490 feet in a 556W direction and 10 feet in a N56E direction from discovery monument, together with 300 feet on each side of the center of the vein.

The discovery work consists of maps as required in NRS 517.040.

Each of the four corners are marked by LAGED 2x2 wood posts with an inscription specifying the name and corner of the claim.

Dated this 14th day of May, 1996

Agent for: STEVE LOCHEE  
Address 922-510 W HASTINGS ST / RANCOVER ISC

Locator: CUN MINERALS  
Address ONE FIRST ST + RENO W/ASHOTE COUNTY NEVADA 89501

BOOK 298 PAGE 024

OFFICIAL RECORDS RECORDED AT THE REQUEST OF

CUN MINERALS Recorder's Stamp  
96 JUL 17 PM 3:43

EUREKA COUNTY NEVADA  
M.N. REBAL EATL. RECORDER  
FILE NO. 950

163469

BOOK 298 PAGE 024



Location Certificate - - Lode Claim

The undersigned citizen of the United States, hereby declare that on the 4th day of May, 1996 He discovered and located lode bearing gold, silver, or other valuable deposits and on the same day posted the notice of location at the place of discovery and named the lode the Winn # 196.

The claim is situated in the UAKNOWA Mining District, Eureka County, Nevada being situated in Sections 13, 18, 24 Township \_\_\_\_\_ Range 49 E.

The general course of the vein or lode is N 56 E and \_\_\_\_\_ and 556 W and locator claim 1490 feet in a 556 W direction and 10 feet in a N 56 E direction from discovery monument, together with 300 feet on each side of the center of the vein.

The discovery work consists of maps as required in NRS 517.040.

Each of the four corners are marked by 1/4" x 2" wood posts with an inscription specifying the name and corner of the claim.

Dated this 4th day of May, 1996

STEVE LOCIER  
Agent for: 922-510 W HASTINGS ST / FRANKLIN CO NV  
Address 4613 118

CUM MINERALS  
Locator ONE FIRST FIRST ST RENO WASHOTE COUNTY  
Address NEVADA 89501

BOOK 298 PAGE 025

OFFICIAL RECORDS

RECORDED AT THE REQUEST OF

EUREKA COUNTY NEVADA  
M.N. REBAL EATI, RECORDER  
FILE NO.

96 JUL 17 PM 3:43  
Recorder's Stamp

163470

BOOK 298 PAGE 025

163471

Location Certificate - - Lode Claim

The undersigned citizen of the United States, hereby declare that on the 4th day of May, 1996 He discovered and located lode bearing gold, silver, or other valuable deposits and on the same day posted the notice of location at the place of discovery and named the lode the WIM #197.

The claim is situated in the UNKNOWN Mining District, Eureka County, Nevada being situated in Sections 13, 18, 24 Township \_\_\_\_\_ Range 49E.

The general course of the vein or lode is N56E and 556W and locator claim 1490 feet in a 556W direction and 10 feet in a N56E direction from discovery monument, together with 300 feet on each side of the center of the vein.

The discovery work consists of maps as required in NRS 517.040.

Each of the four corners are marked by TAGGED 2x2 WOOD POSTS with an inscription specifying the name and corner of the claim.

Dated this 4th day of May, 1996

STEVE LOCHEE  
Agent for: 922-510 W HASTINGS ST VANCOUVER BC  
Address 463 118

CURT MINERALS  
Locator ONE FIRST ST + RENO W/PSHOT COMPANY  
Address NEVADA 89501

BOOK 298 PAGE 026

OFFICIAL RECORDS  
RECORDED AT THE REQUEST OF  
Curt Minerals

96 JUL 17 PM 3:43 Recorder's Stamp

EUREKA COUNTY NEVADA  
M.N. REBAL/ATI, RECORDER  
FILE NO. \_\_\_\_\_  
FEES 9.50

163471

BOOK 298 PAGE 026

163472

Location Certificate - - Lode Claim

The undersigned citizen of the United States, hereby declare that on the

3<sup>rd</sup> day of May, 1996. He discovered and located lode bearing gold,

silver, or other valuable deposits and on the same day posted the notice of location

at the place of discovery and named the lode the WIN #130.

The claim is situated in the UNKNOWN Mining District, Eureka

County, Nevada being situated in Section 24, 25, 26, 35 Township

24N Range 49E.

The general course of the vein or lode is N 56 E and

S 56 W and locator claim 1490 feet in a S 56 W direction and 10

feet in a N 56 E direction from discovery monument, together with 300 feet on

each side of the center of the vein.

The discovery work consists of maps as required in NRS 517.040.

Each of the four corners are marked by TAGED 2X2 WOOD POSTS with an

inscription specifying the name and corner of the claim.

Dated this 3<sup>rd</sup> day of May, 1996.

Agent for: STEVE TOCHER 922-510 W HASTINGS ST MANCOVER BC  
Address U & B 128

Locator CUI MINERALS ONE FIRST ST RENO WASHOE COUNTY  
Address Nevada 89501

BOOK 298 PAGE 027

OFFICIAL RECORDS

RECORDED AT THE REQUEST OF

CUI MINERALS

96 JUL 17 PM 3:43 Recorder's Stamp

EUREKA COUNTY NEVADA

M.N. REBALANCE RECORDER

FILE NO. FEES 9.50

163472

BOOK 298 PAGE 027

Location Certificate - - Lode Claim

163473

The undersigned citizen of the United States, hereby declare that on the 3<sup>RD</sup> day of May, 1996. He discovered and located lode bearing gold, silver, or other valuable deposits and on the same day posted the notice of location at the place of discovery and named the lode the WIN # 131.

The claim is situated in the UNKNOWN Mining District, Eureka County, Nevada being situated in Section 24, 25, 26, 35 Township 24N Range 49E.

The general course of the vein or lode is N 56 E and S 56 W and locator claim 1490 feet in a S 56 W direction and 10 feet in a N 56 E direction from discovery monument, together with 300 feet on each side of the center of the vein.

The discovery work consists of maps as required in NRS 517.040.

Each of the four corners are marked by TAGS 2X2 WOOD POSTS with an inscription specifying the name and corner of the claim.

Dated this 3<sup>RD</sup> day of May, 1996.

Agent for: STEVE TOCHER 922-510 W HASTINGS ST MANCOVER BC Address U G B 128

Locator CUN MINERAL ONE FIRST ST RENO WASHOE COUNTY Address Nevada 89501

BOOK 298 PAGE 028

RECORDED AT THE REQUEST OF CUN MINERAL Recorder's Stamp 96 JUL 17 PM 3:43

EUREKA COUNTY NEVADA M.N. REBAL EATL. RECORDER FILE NO. FEES 9.50

163473

BOOK 298 PAGE 028

163474

Location Certificate - - Lode Claim

The undersigned citizen of the United States, hereby declare that on the 3<sup>rd</sup> day of May, 1996, He discovered and located lode bearing gold, silver, or other valuable deposits and on the same day posted the notice of location at the place of discovery and named the lode the WIN #132.

The claim is situated in the UNKNOWN Mining District, Eureka County, Nevada being situated in Section 24, 25, 26, 35 Township

24N Range 49E.

The general course of the vein or lode is N 56 E and

S 56 W and locator claim 1490 feet in a S 56 W direction and 10

feet in a N 56 E direction from discovery monument, together with 300 feet on each side of the center of the vein.

The discovery work consists of maps as required in NRS 517.040.

Each of the four corners are marked by TAGED 2X2 WOOD POSTS with an

inscription specifying the name and corner of the claim.

Dated this 3<sup>rd</sup> day of May, 1996.

STEVE TOHR 922-510 W HASTINGS ST MANCOVER BE  
Agent for: Address U G B 128

LUK MINERALS ONE EAST FIRST ST RENO WASHOE COUNTY  
Locator Address NEVADA 89501

BOOK 298 PAGE 029

OFFICIAL RECORDS RECORDED AT THE REQUEST OF Recorder's Stamp  
96 JUL 17 PM 3:44  
EUREKA COUNTY NEVADA M.N. REBALATI, RECORDER  
FILE NO. 163474  
FEES 9.50

BOOK 298 PAGE 029

Location Certificate - - Lode Claim

The undersigned citizen of the United States, hereby declare that on the 3<sup>rd</sup> day of May, 1996. He discovered and located lode bearing gold, silver, or other valuable deposits and on the same day posted the notice of location at the place of discovery and named the lode the WIN #133.

The claim is situated in the UNKNOWN Mining District, Eureka County, Nevada being situated in Section 24, 25, 26, 35 Township 24N Range 49E.

The general course of the vein or lode is N 56 E and S 56 W and locator claim 1490 feet in a S 56 W direction and 10 feet in a N 56 E direction from discovery monument, together with 300 feet on each side of the center of the vein.

The discovery work consists of maps as required in NRS 517.040. Each of the four corners are marked by TAGGED 2X2 WOOD POSTS with an inscription specifying the name and corner of the claim.

Dated this 3<sup>rd</sup> day of May, 1996.

Agent for: STEVE TOCHER 922-510 W HASTINGS ST WILCOVER BC Address UGB 128

Locator CUN MINERALS ONE EAST FIRST ST RENO WASHOE COUNTY Address NEVADA 89501

*[Signature]*

BOOK 298 PAGE 030

OFFICIAL RECORDS

RECORDED AT THE REQUEST OF

Cun Minerals Recorder's Stamp

96 JUL 17 PM 3:44

EUREKA COUNTY NEVADA  
M.N. REBAL EATL. RECORDER  
FILE NO. FEES \$9.50

Location Certificate - - Lode Claim

The undersigned citizen of the United States, hereby declare that on the

3<sup>RD</sup> day of May, 1996. He discovered and located lode bearing gold, silver, or other valuable deposits and on the same day posted the notice of location at the place of discovery and named the lode the WIN #134.

The claim is situated in the UNKNOWN Mining District, Eureka County, Nevada being situated in Section 24, 25, 26, 35 Township \_\_\_\_\_ Range 49E.

The general course of the vein or lode is N 56 E and \_\_\_\_\_

S 56 W and locator claim 1490 feet in a S 56 W direction and 10 feet in a N 56 E direction from discovery monument, together with 300 feet on each side of the center of the vein.

The discovery work consists of maps as required in NRS 517.040.

Each of the four corners are marked by TAGED 2X2 WOOD POSTS with an

inscription specifying the name and corner of the claim.

Dated this 3<sup>RD</sup> day of May, 1996.

Agent for: STUE TOSHER  
922-510 W HASTINGS ST VANCOUVER BC  
Address UGB 128

Locator CUM MINERALS  
ONE EAST FIRST ST RENO WASHOE COUNTY  
Address NEVADA 89501

BOOK 298 PAGE 031

OFFICIAL RECORDS

RECORDED AT THE REQUEST OF Recorder's Stamp

Cum Minerals  
96 JUL 17 PM 3:44

EUREKA COUNTY NEVADA  
M.M. REBALZATI, RECORDER  
FILE NO. FEES 9.50

163477

Location Certificate - - Lode Claim

The undersigned citizen of the United States, hereby declare that on the 3<sup>rd</sup> day of May, 1996, He discovered and located lode bearing gold, silver, or other valuable deposits and on the same day posted the notice of location at the place of discovery and named the lode the WIN # 135.

The claim is situated in the UNKNOWN Mining District, Eureka County, Nevada being situated in Section 24, 25, 26, 35 Township

24N Range 49E.

The general course of the vein or lode is N 56 E and S 56 W and locator claim 1490 feet in a S 56 W direction and 10 feet in a N 56 E direction from discovery monument, together with 300 feet on each side of the center of the vein.

The discovery work consists of maps as required in NRS 517.040.

Each of the four corners are marked by TAGED 2X2 WOOD POSTS with an inscription specifying the name and corner of the claim.

Dated this 3<sup>rd</sup> day of May, 1996.

STEVE TOCHER  
Agent for: 922-510 W HASTINGS ST MANICOVER BC  
Address U G B 128

CUN MINERALS  
Locator ONE EAST FIRST ST RENO WASHOE COUNTY  
Address NEVADA 89501

*[Signature]*

BOOK 298 PAGE 032

OFFICIAL RECORDS  
RECORDED AT THE REQUEST OF Recorder's Stamp  
CUN Minerals  
96 JUL 17 PM 3:44

EUREKA COUNTY NEVADA  
M.N. REBALANCE RECORDER  
FILE NO. FEES \$250

163477

BOOK 298 PAGE 032



Location Certificate - - Lode Claim

The undersigned citizen of the United States, hereby declare that on the

3<sup>RD</sup> day of May, 1996. He discovered and located lode bearing gold,

silver, or other valuable deposits and on the same day posted the notice of location

at the place of discovery and named the lode the WIN #136.

The claim is situated in the UNKNOWN Mining District, Eureka

County, Nevada being situated in Section 24, 25, 26, 35 Township

24N Range 49E.

The general course of the vein or lode is N 56 E and

S 56 W and locator claim 1490 feet in a S 56 W direction and 10

feet in a N 56 E direction from discovery monument, together with 300 feet on

each side of the center of the vein.

The discovery work consists of maps as required in NRS 517.040.

Each of the four corners are marked by TAGED 2X2 WOOD POSTS with an

inscription specifying the name and corner of the claim.

Dated this 3<sup>RD</sup> day of May, 1996.

STUE LOCHER

922-510 W HASTINGS ST VANCOUVER BC  
Address U G B 128

Agent for:

CUM MINERALS  
ONE FIRST FIRST ST RENO WASHOE COUNTY  
Address Nevada 89501

Locator



BOOK 298 PAGE 033

OFFICIAL RECORDS  
RECORDED AT THE REQUEST OF Recorder's Stamp  
Cum Minerals  
96 JUL 17 PM 3:44

EUREKA COUNTY NEVADA  
M.N. REBAL EATI, RECORDER  
FILE NO.  
FEES \$9.50

Location Certificate - - Lode Claim

The undersigned citizen of the United States, hereby declare that on the 3<sup>RD</sup> day of May, 1996. He discovered and located lode bearing gold, silver, or other valuable deposits and on the same day posted the notice of location at the place of discovery and named the lode the WIN #137.

The claim is situated in the UNKNOWN Mining District, Eureka County, Nevada being situated in Section 24, 25, 26, 35 Township \_\_\_\_\_ Range 49E.

The general course of the vein or lode is N 56 E and \_\_\_\_\_ and 56W and locator claim 1490 feet in a 56W direction and 10 feet in a N 56 E direction from discovery monument, together with 300 feet on each side of the center of the vein.

The discovery work consists of maps as required in NRS 517.040.

Each of the four corners are marked by TAGGED 2X2 WOOD POSTS with an inscription specifying the name and corner of the claim. Dated this 3<sup>RD</sup> day of May 1996.

Agent for: STEVE TOCHER 922-510 W HASTINGS ST WILKINSON BLVD  
Address UGB 128

Locator CUM MINERALS ONE EAST FIRST ST RENO WASHOE COUNTY  
Address NEVADA 89501

BOOK 298 PAGE 034  
OFFICIAL RECORDS  
RECORDED AT THE REQUEST  
Recorder's Stamp  
Cum Minerals  
96 JUL 17 PM 3:44

EUREKA COUNTY NEVADA  
M.N. REBALANCE, RECORDER  
FILE NO. \_\_\_\_\_  
FEES \$ 9.50

Location Certificate - - Lode Claim

The undersigned citizen of the United States, hereby declare that on the 3<sup>rd</sup> day of May, 1996. He discovered and located lode bearing gold, silver, or other valuable deposits and on the same day posted the notice of location at the place of discovery and named the lode the WIN #138.

The claim is situated in the UNKNOWN Mining District, Eureka County, Nevada being situated in Section 24, 25, 26, 35 Township \_\_\_\_\_ Range 49E \_\_\_\_\_

The general course of the vein or lode is N56E \_\_\_\_\_ and \_\_\_\_\_

56W and locator claim 1490 feet in a S56W direction and 10 feet in a N56E direction from discovery monument, together with 300 feet on each side of the center of the vein.

The discovery work consists of maps as required in NRS 517.040.

Each of the four corners are marked by TAGED 2X2 WOOD POSTS with an inscription specifying the name and corner of the claim.

Dated this 3<sup>rd</sup> day of May, 1996

Agent for: STEVE TOCHER 922-510 W HASTINGS ST WILKINSON BLVD  
Address V 6 B 1 C 8

Locator: GUY MINERALS ONE EAST FIRST ST RENO WASHOE COUNTY  
Address NEVADA 89501

*[Signature]*

BOOK 298 PAGE 035

OFFICIAL RECORDS RECORDED AT THE REQUEST OF *(Guy Minerals)* Recorder's Stamp

96 JUL 17 PM 3:45

EUREKA COUNTY NEVADA M.N. REBALANCE RECORDER FILE NO. FEES 9.50

Location Certificate - - Lode Claim

The undersigned citizen of the United States, hereby declare that on the 3<sup>RD</sup> day of MAY, 1996, He discovered and located lode bearing gold, silver, or other valuable deposits and on the same day posted the notice of location at the place of discovery and named the lode the WIN #139.

The claim is situated in the UNKNOWN Mining District, Eureka County, Nevada being situated in Section 24, 25, 26, 35 Township

24N Range 49E.

The general course of the vein or lode is N 56 E and

56W and locator claim 1490 feet in a S 56 W direction and 10

feet in a N 56 E direction from discovery monument, together with 300 feet on

each side of the center of the vein.

The discovery work consists of maps as required in NRS 517.040.

Each of the four corners are marked by TAGED 2x2 WOOD POSTS with an

inscription specifying the name and corner of the claim.

Dated this 3<sup>RD</sup> day of MAY 1996

STEVE TECHER 922-510 W HASTINGS ST UNICOVER BC  
Agent for: Address U G B 128

CUM MINERALS ONE EAST FIRST ST RENO WASHOE COUNTY  
Locator Address NEVADA 89501

BOOK 298 PAGE 036

OFFICIAL RECORDS RECORDED AT THE REQUEST OF Recorder's Stamp  
96 JUL 17 PM 3:45  
EUREKA COUNTY NEVADA M.N. REBAL EATL. RECORDER FEES \$ 9.50

163482

Location Certificate - - Lode Claim

The undersigned citizen of the United States, hereby declare that on the 3<sup>rd</sup> day of May, 1996. He discovered and located lode bearing gold, silver, or other valuable deposits and on the same day posted the notice of location at the place of discovery and named the lode the WIN #140.

The claim is situated in the UNKNOWN Mining District, Eureka County, Nevada being situated in Section 24, 25, 26, 35 Township 24N Range 49E.

The general course of the vein or lode is N56E and S56W and locator claim 1490 feet in a S56W direction and 10 feet in a N56E direction from discovery monument, together with 300 feet on each side of the center of the vein.

The discovery work consists of maps as required in NRS 517.040. Each of the four corners are marked by TAGED 2x2 WOOD POSTS with an inscription specifying the name and corner of the claim.

Dated this 3<sup>rd</sup> day of May 1996

Agent for: STEVE TOCHER 922-510 W HASTINGS ST WACOVER BC Address V 6 B 128  
Locator: CUI MINERALS ONE EAST FIRST ST RENO WASHOE COUNTY NEVADA 89501

*[Signature]*

BOOK 298 PAGE 037  
OFFICIAL RECORDS  
RECORDED AT THE REQUEST OF Recorder's Stamp  
CUI Minerals  
96 JUL 17 PM 3:46

EUREKA COUNTY NEVADA  
M.N. REBALANCE RECORDER  
FILE NO. FEES \$9.50  
BOOK 298 PAGE 037

163482

Location Certificate - - Lode Claim

The undersigned citizen of the United States, hereby declare that on the 3<sup>rd</sup> day of May, 1996. He discovered and located lode bearing gold, silver, or other valuable deposits and on the same day posted the notice of location at the place of discovery and named the lode the WIN # 71.

The claim is situated in the UNKNOWN Mining District, Eureka County, Nevada being situated in Section 24, 25, 26, 35 Township \_\_\_\_\_ Range 49E.  
The general course of the vein or lode is N 56 E and \_\_\_\_\_ and locator claim 10 feet in a S 56 W direction and 1490 feet in a N 56 E direction from discovery monument, together with 300 feet on each side of the center of the vein.

The discovery work consists of maps as required in NRS 517.040. Each of the four corners are marked by TAGED 2X2 WOOD POSTS with an inscription specifying the name and corner of the claim.  
Dated this 3<sup>rd</sup> day of May, 1996.

Agent for: STEVE TORNER  
Address 922-510 W HASTINGS ST VANCOUVER BC

Locator: CUN MINERALS  
Address ONE EAST FIRST ST RENO WASHINGTON COUNTY NEVADA 89501

BOOK 298 PAGE 038  
OFFICIAL RECORDS  
RECORDED AT THE REQUEST OF  
CUN Minerals  
96 JUL 17 PM 3:46  
EUREKA COUNTY NEVADA  
M.N. REBALANCE RECORDER  
FILE NO. \_\_\_\_\_  
FEES \$ 9.50

Recorder's Stamp

Location Certificate - - Lode Claim

The undersigned citizen of the United States, hereby declare that on the

3<sup>rd</sup> day of May, 1996. He discovered and located lode bearing gold,

silver, or other valuable deposits and on the same day posted the notice of location

at the place of discovery and named the lode the WIN #72.

The claim is situated in the UNKNOWN Mining District, Eureka

County, Nevada being situated in Section 24, 25, 26, 35 Township

24 N Range 49 E.

The general course of the vein or lode is N 56 E and

S 56 W and locator claim 10 feet in a S 56 W direction and 1490

feet in a N 56 E direction from discovery monument, together with 300 feet on

each side of the center of the vein.

The discovery work consists of maps as required in NRS 517.040.

Each of the four corners are marked by TAGED 2 X 2 WOOD POSTS with an

inscription specifying the name and corner of the claim.

Dated this 3<sup>rd</sup> day of May, 1996.

STEVE TORRER  
Agent for:

922-510 W HASTINGS ST VANCOUVER BC  
Address V6B 1L8

CUN MINERALS  
Locator

ONE EAST FIRST ST RENO WASHINGTON COUNTY  
Address RENO NV 89501



BOOK 298 PAGE 039

OFFICIAL RECORDS  
RECORDED AT THE REQUEST OF

Recorder's Stamp

Cun Minerals  
96 JUL 17 PM 3:46

EUREKA COUNTY NEVADA  
M.N. REBALANCE RECORDER  
FILE NO. FEES 9.50

Location Certificate - - Lode Claim

The undersigned citizen of the United States, hereby declare that on the

3<sup>rd</sup> day of May, 1996. He discovered and located lode bearing gold,

silver, or other valuable deposits and on the same day posted the notice of location

at the place of discovery and named the lode the WIN # 73.

The claim is situated in the UNKNOWN Mining District, Eureka

County, Nevada being situated in Section 24, 25, 26, 35 Township

24 N Range 49 E.

The general course of the vein or lode is N 56 E and

S 56 W and locator claim 10 feet in a S 56 W direction and 1490

feet in a N 56 E direction from discovery monument, together with 300 feet on

each side of the center of the vein.

The discovery work consists of maps as required in NRS 517.040.

Each of the four corners are marked by TRIPED 2 X 2 WOOD POSTS with an

inscription specifying the name and corner of the claim.

Dated this 3<sup>rd</sup> day of May, 1996.

Agent for: STEVE TORNER 922-510 W HASTINGS ST VANCOUVER BC  
Address V6B 1L8

Locator CUN MINERALS ONE EAST FIRST ST RENO WASHOE COUNTY  
Address NEVADA 89501

BOOK 298 PAGE 040

OFFICIAL RECORDS

RECORDED AT THE REQUEST OF

CUN MINERALS

96 JUL 17 PM 3:46

EUREKA COUNTY NEVADA

M.N. REBALANCE RECORDER

FILE NO.

FEES 9.50

Recorder's Stamp



Location Certificate - - Lode Claim

The undersigned citizen of the United States, hereby declare that on the

3<sup>rd</sup> day of May, 1996. He discovered and located lode bearing gold,

silver, or other valuable deposits and on the same day posted the notice of location

at the place of discovery and named the lode the WIN #74.

The claim is situated in the UNKNOWN Mining District, Eureka

County, Nevada being situated in Section 24, 25, 26, 35 Township

24 N Range 49 E.

The general course of the vein or lode is N 56 E and

S 56 W and locator claim 10 feet in a S 56 W direction and 190

feet in a N 56 E direction from discovery monument, together with 300 feet on

each side of the center of the vein.

The discovery work consists of maps as required in NRS 517.040.

Each of the four corners are marked by TAGGED 2 X 2 WORD POSTS with an

inscription specifying the name and corner of the claim.

Dated this 3<sup>rd</sup> day of May 1996

STEVE TOLLER  
Agent for: 922-510 W HASTINGS ST VANCOUVER BC  
Address V6B 1L8

CUN MINERALS  
Locator ONE EAST FIRST ST RENO WASHORE COUNTY  
Address NEVADA 89501

BOOK 298 PAGE 041  
OFFICIAL RECORDS  
RECORDED AT THE REQUEST OF  
Cun Minerals  
Recorder's Stamp  
96 JUL 17 PM 3:46  
EUREKA COUNTY NEVADA  
M.M. REBALEATI, RECORDER  
FILE NO. FEES \$9.50

163487

Location Certificate - - Lode Claim

The undersigned citizen of the United States, hereby declare that on the

3<sup>rd</sup> day of May, 1996. He discovered and located lode bearing gold,

silver, or other valuable deposits and on the same day posted the notice of location

at the place of discovery and named the lode the WIN #75.

The claim is situated in the UNKNOWN Mining District, Eureka

County, Nevada being situated in Section 24, 25, 26, 35 Township

24 N Range 49 E.

The general course of the vein or lode is N 56 E and

S 56 W and locator claim 10 feet in a S 56 W direction and 1490

feet in a N 56 E direction from discovery monument, together with 300 feet on

each side of the center of the vein.

The discovery work consists of maps as required in NRS 517.040.

Each of the four corners are marked by TAGED 2 X 2 WOOD POSTS with an

inscription specifying the name and corner of the claim.

Dated this 3<sup>rd</sup> day of May, 1996.

Agent for: STEVE TORNER  
922-510 W HASTINGS ST VANCOUVER BC  
Address UGB 178

Locator: CUN MINERALS  
ONE EAST FIRST ST RENO WASHOE COUNTY  
Address NEVADA 89501

BOOK 298 PAGE 042  
OFFICIAL RECORDS  
RECORDED AT THE REQUEST OF  
Recorder's Stamp  
CUN Minerals  
96 JUL 17 PM 3:46

EUREKA COUNTY NEVADA  
M.N. REBAL EATI, RECORDER  
FILE NO. 163487  
FEES 9.50

BOOK 298 PAGE 042

Location Certificate - - Lode Claim

The undersigned citizen of the United States, hereby declare that on the

3<sup>rd</sup> day of May, 1996. He discovered and located lode bearing gold,

silver, or other valuable deposits and on the same day posted the notice of location

at the place of discovery and named the lode the WIN #76.

The claim is situated in the UNKNOWN Mining District, Eureka

County, Nevada being situated in Section 24, 25, 26, 35 Township

24 N Range 49 E.

The general course of the vein or lode is N 56 E and

S 56 W and locator claim 10 feet in a S 56 W direction and 190

feet in a N 56 E direction from discovery monument, together with 300 feet on

each side of the center of the vein.

The discovery work consists of maps as required in NRS 517.040.

Each of the four corners are marked by TAGS 2 X 2 WOOD POSTS with an

inscription specifying the name and corner of the claim.

Dated this 3<sup>rd</sup> day of May, 1996.

Agent for: STEVE TOCHER  
922-510 W HASTINGS ST VANCOUVER BC  
Address UGB 178

Locator Gen Minerals  
ONE EAST FIRST ST RENO WASHOE COUNTY  
Address NEVADA 89501

BOOK 298 PAGE 043  
OFFICIAL RECORDS  
RECORDED AT THE REQUEST OF  
Gen Minerals  
Recorder's Stamp  
96 JUL 17 PM 3:47

EUREKA COUNTY NEVADA  
M.N. REBAL EATL. RECORDER  
FILE NO.  
FEES 9.50

163489

Location Certificate - - Lode Claim

The undersigned citizen of the United States, hereby declare that on the 3<sup>rd</sup> day of May, 1996, He discovered and located lode bearing gold, silver, or other valuable deposits and on the same day posted the notice of location at the place of discovery and named the lode the WIN#77.

The claim is situated in the UNKNOWN Mining District, Eureka County, Nevada being situated in Section 24, 25, 26, 35 Township

24 N Range 49 E

The general course of the vein or lode is N 56 E and

56 W and locator claim 10 feet in a S 56 W direction and 1490

feet in a N 56 E direction from discovery monument, together with 300 feet on each side of the center of the vein.

The discovery work consists of maps as required in NRS 517.040.

Each of the four corners are marked by TAGED 2 X 2 WOOD POSTS with an

inscription specifying the name and corner of the claim.

Dated this 3<sup>rd</sup> day of May, 1996

STEVE TORNER  
Agent for: 922-510 W HASTINGS ST VANCOUVER BC  
Address V6B 1L8

CUN MINERALS  
Locator ONE EAST FIRST ST RENO WASHINGTON COUNTY  
Address NEVADA 89501

*[Signature]*

BOOK 298 PAGE 044  
OFFICIAL RECORDS  
RECORDED AT THE REQUEST OF  
CUN MINERALS  
Recorder's Stamp  
96 JUL 17 PM 3:47  
EUREKA COUNTY NEVADA  
M. N. BEAL EATL, RECORDER  
FEE \$ 9.50

163489

BOOK 298 PAGE 044

Location Certificate - - Lode Claim

The undersigned citizen of the United States, hereby declare that on the 3<sup>rd</sup> day of May, 1996, He discovered and located lode bearing gold, silver, or other valuable deposits and on the same day posted the notice of location at the place of discovery and named the lode the WIN #78.

The claim is situated in the UNKNOWN Mining District, Eureka County, Nevada being situated in Section 24, 25, 26, 35 Township 24 N Range 49 E.

The general course of the vein or lode is N 56 E and S 56 W and locator claim 10 feet in a S 56 W direction and 1490 feet in a N 56 E direction from discovery monument, together with 300 feet on each side of the center of the vein.

The discovery work consists of maps as required in NRS 517.040.

Each of the four corners are marked by Taped 2x2 wood Posts with an inscription specifying the name and corner of the claim.

Dated this 3<sup>rd</sup> day of May, 1996

Steve Toller Agent for: 922-510 W HASTINGS ST VANCOUVER BC Address V6B 1L8

CUM MINERALS Locator ONE EAST FIRST ST RENO WASHOE COUNTY NEVADA 89501 Address

BOOK 298 PAGE 045

OFFICIAL RECORDS RECORDED AT THE REQUEST OF Recorder's Stamp

EUREKA COUNTY NEVADA M.N. REBAL EATI, RECORDER FILE NO. FEES 2.50

Location Certificate - - Lode Claim

The undersigned citizen of the United States, hereby declare that on the 3<sup>rd</sup> day of May, 1976. He discovered and located lode bearing gold, silver, or other valuable deposits and on the same day posted the notice of location at the place of discovery and named the lode the WIN #79.

The claim is situated in the UNKNOWAN Mining District, Eureka County, Nevada being situated in Section 24, 25, 26, 35 Township 24N Range 49E.

The general course of the vein or lode is N 56 E and 56W and locator claim 10 feet in a S 56 W direction and 1490 feet in a N 56 E direction from discovery monument, together with 300 feet on each side of the center of the vein.

The discovery work consists of maps as required in NRS 517.040. Each of the four corners are marked by TAGED 2 X 2 WOOD POSTS with an inscription specifying the name and corner of the claim.

Dated this 3<sup>rd</sup> day of May, 1976.

STEVE TOLLER  
Agent for: 922-510 W HASTINGS ST VANCOUVER BC  
Address V6B 1L8

CUN MINERALS  
Locator ONE EAST FIRST ST RENO WASHINGTON COUNTY  
Address NEVADA 89501

BOOK 298 PAGE 046  
OFFICIAL RECORDS  
RECORDED AT THE REQUEST OF Recorder's Stamp  
CUN MINERALS  
96 JUL 17 PM 3:47  
EUREKA COUNTY NEVADA  
M.N. REBALANCE RECORDER  
FILE NO. FEES \$9.50

Location Certificate - - Lode Claim

The undersigned citizen of the United States, hereby declare that on the 3<sup>rd</sup> day of May, 1996. He discovered and located lode bearing gold, silver, or other valuable deposits and on the same day posted the notice of location at the place of discovery and named the lode the WIN #80.

The claim is situated in the UNKNOWN Mining District, Eureka County, Nevada being situated in Section 24, 25, 26, 35 Township 24 N Range 49 E.

The general course of the vein or lode is N 56 E and 556 W and locator claim 10 feet in a S 56 W direction and 1490 feet in a N 56 E direction from discovery monument, together with 300 feet on each side of the center of the vein.

The discovery work consists of maps as required in NRS 517.040. Each of the four corners are marked by TRIPED 2 X 2 WOOD POSTS with an inscription specifying the name and corner of the claim. Dated this 3<sup>RD</sup> day of MAY, 1996.

Agent for: STEVE LOCATER  
Address 922-510 W HASTINGS ST VANCOUVER BC  
Address 922-510 W HASTINGS ST VANCOUVER BC  
Locator: CUN MINERALS  
Address ONE EAST FIRST ST RENO WASHOE COUNTY NEVADA 89501

BOOK 298 PAGE 047  
OFFICIAL RECORDS  
RECORDED AT THE REQUEST OF  
CUN MINERALS  
96 JUL 17 PM 3:47  
EUREKA COUNTY NEVADA  
M.N. REBAL EATI, RECORDER  
FILE NO. 163492  
FEES \$ 9.50

Recorder's Stamp

Location Certificate - - Lode Claim

The undersigned citizen of the United States, hereby declare that on the 3<sup>rd</sup> day of May, 1996. He discovered and located lode bearing gold, silver, or other valuable deposits and on the same day posted the notice of location at the place of discovery and named the lode the WIN # 81.

The claim is situated in the UNKNOWN Mining District, Eureka County, Nevada being situated in Section 24, 25, 26, 35 Township 24 N Range 49 E.

The general course of the vein or lode is N 56 E and

S 56 W and locator claim 10 feet in a S 56 W direction and 1490

feet in a N 56 E direction from discovery monument, together with 300 feet on each side of the center of the vein.

The discovery work consists of maps as required in NRS 517.040.

Each of the four corners are marked by TAGED 2 X 2 WOOD POSTS with an

inscription specifying the name and corner of the claim.

Dated this 3<sup>rd</sup> day of May, 1996.

STEVE TORRER 922-510 W HASTINGS ST VANCOUVER BC  
Agent for: Address V6B 1L8

CUN MINERALS ONE EAST FIRST ST RENO WASHOE COUNTY  
Locator Address NEVADA 89501

BOOK 298 PAGE 048

OFFICIAL RECORDS RECORDED AT THE REQUEST OF Recorder's Stamp  
CUN Minerals  
96 JUL 17 PM 3:47

EUREKA COUNTY NEVADA  
M.N. REBAL EATL. RECORDER  
FILE NO. FEES 9.50



Location Certificate - - Lode Claim

The undersigned citizen of the United States, hereby declare that on the

3<sup>rd</sup> day of May, 1996. He discovered and located lode bearing gold,

silver, or other valuable deposits and on the same day posted the notice of location

at the place of discovery and named the lode the WIN#57.

The claim is situated in the UNKNOWN Mining District, Eureka

County, Nevada being situated in Section 24, 25, 26, 35 Township

24 N Range 49 E.

The general course of the vein or lode is N 56 E and

S 56 W and locator claim 10 feet in a S 56 W direction and 1490

feet in a N 56 E direction from discovery monument, together with 300 feet on

each side of the center of the vein.

The discovery work consists of maps as required in NRS 517.040.

Each of the four corners are marked by TAGED 2 X 2 WOOD POSTS with an

inscription specifying the name and corner of the claim.

Dated this 3<sup>rd</sup> day of May, 1996.

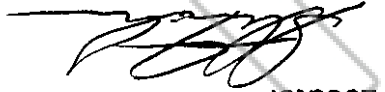
Agent for: STEVE TORNER 922-510 W HASTINGS ST VANCOUVER BC

Address UGB 128

CUN MINERALS ONE EAST FIRST ST RENO WASHORE COUNTY

Address NEVADA 89501

Locator



BOOK 298 PAGE 049

OFFICIAL RECORDS

RECORDED AT THE REQUEST Recorder's Stamp

CUN MINERALS

96 JUL 17 PM 3:47

EUREKA COUNTY NEVADA  
M.N. REBAL EATL. RECORDER  
FILE NO. 250

163495

Location Certificate - - Lode Claim

The undersigned citizen of the United States, hereby declare that on the 3<sup>rd</sup> day of May, 1996, He discovered and located lode bearing gold, silver, or other valuable deposits and on the same day posted the notice of location at the place of discovery and named the lode the WIN #58.

The claim is situated in the UNKNOWN Mining District, Eureka County, Nevada being situated in Section 24, 25, 26, 35 Township 24 N Range 49 E.

The general course of the vein or lode is N 56 E and S 56 W and locator claim 10 feet in a S 56 W direction and 1490 feet in a N 56 E direction from discovery monument, together with 300 feet on each side of the center of the vein.

The discovery work consists of maps as required in NRS 517.040. Each of the four corners are marked by TRIPED 2 X 2 WOOD POSTS with an inscription specifying the name and corner of the claim.

Dated this 3<sup>rd</sup> day of May, 1996.

Agent for: STEVE TOURER 922-510 W HASTINGS ST VANCOUVER BC  
Address V 6 B 1 L 8

Locator CUN MINERALS ONE EAST FIRST ST RENO WASHORE COUNTY  
Address NEVADA 89501

BOOK 298 PAGE 050  
OFFICIAL RECORDS  
RECORDED AT THE REQUEST  
Recorder's Stamp  
CUN MINERALS  
96 JUL 17 PM 3:47  
EUREKA COUNTY NEVADA  
M.N. REBAL EATI, RECORDER  
FILE NO. 9.50

163495

BOOK 298 PAGE 050

Location Certificate - - Lode Claim

The undersigned citizen of the United States, hereby declare that on the

3<sup>rd</sup> day of May, 1996. He discovered and located lode bearing gold,

silver, or other valuable deposits and on the same day posted the notice of location

at the place of discovery and named the lode the WIN # 59.

The claim is situated in the UNKNOWN Mining District, Eureka

County, Nevada being situated in Section 24, 25, 26, 35 Township

24 N Range 49 E.

The general course of the vein or lode is N 56 E and

S 56 W and locator claim 10 feet in a S 56 W direction and 1490

feet in a N 56 E direction from discovery monument, together with 300 feet on

each side of the center of the vein.

The discovery work consists of maps as required in NRS 517.040.

Each of the four corners are marked by TRIPED 2 X 2 WOOD POSTS with an

inscription specifying the name and corner of the claim.

Dated this 3<sup>rd</sup> day of May, 1996.

STEVE TOURER Agent for: 922-510 W HASTINGS ST VANCOUVER BC

Address UGB 128

CUN MINERALS Locator ONE EAST FIRST ST RENO WASHOE COUNTY

Address NEVADA 89501

*[Signature]*

BOOK 298 PAGE 051

OFFICIAL RECORDS RECORDED AT THE REQUEST Recorder's Stamp

Can Minerals

96 JUL 17 PM 3:47

EUREKA COUNTY NEVADA M.N. REBALANCE RECORDER FEES \$ 9.50

163496

BOOK 298 PAGE 051

Location Certificate - - Lode Claim

The undersigned citizen of the United States, hereby declare that on the

3<sup>rd</sup> day of May, 1996. He discovered and located lode bearing gold,

silver, or other valuable deposits and on the same day posted the notice of location

at the place of discovery and named the lode the WIN #60.

The claim is situated in the UNKNOWN Mining District, Eureka

County, Nevada being situated in Section 24, 25, 26, 35 Township

24 N Range 49 E.

The general course of the vein or lode is N 56 E and

S 56 W and locator claim 10 feet in a S 56 W direction and 1490

feet in a N 56 E direction from discovery monument, together with 300 feet on

each side of the center of the vein.

The discovery work consists of maps as required in NRS 517.040.

Each of the four corners are marked by TAGED 2 X 2 WOOD POSTS with an

inscription specifying the name and corner of the claim.

Dated this 3<sup>rd</sup> day of May, 1996.

Agent for: STEVE TOURER 922-510 W HASTINGS ST VANCOUVER BC  
Address V6B 1L8

Locator CUN MINERALS ONE EAST FIRST ST RENO WASSER COUNTY  
Address NEVADA 89501

BOOK 298 PAGE 052  
OFFICIAL RECORDS  
RECORDED AT THE RECORDER'S Stamp  
Cun Minerals  
96 JUL 17 PM 3:48  
EUREKA COUNTY NEVADA  
M.N. REBAL EATL. RECORDER  
FILE NO. 163497  
FEES \$ 9.50

Location Certificate - - Lode Claim

The undersigned citizen of the United States, hereby declare that on the 3<sup>rd</sup> day of May, 1996. He discovered and located lode bearing gold, silver, or other valuable deposits and on the same day posted the notice of location at the place of discovery and named the lode the WIN # 61.

The claim is situated in the UNKNOWN Mining District, Eureka County, Nevada being situated in Section 24, 25, 26, 35 Township 24 N Range 49 E.

The general course of the vein or lode is N 56 E and S 56 W and locator claim 10 feet in a S 56 W direction and 1490 feet in a N 56 E direction from discovery monument, together with 300 feet on each side of the center of the vein.

The discovery work consists of maps as required in NRS 517.040. Each of the four corners are marked by TAGED 2 X 2 WOOD POSTS with an inscription specifying the name and corner of the claim.

Dated this 3<sup>rd</sup> day of May, 1996.

Agent for: STEVE TOULIER 922-510 W HASTINGS ST VANCOUVER BC Address V6B 1L8

Locator: CUN MINERALS ONE EAST FIRST ST RENO WASHINGTON COUNTY Address NUNDA 89501

BOOK 298 PAGE 053  
OFFICIAL RECORDS  
RECORDED AT THE REQUEST OF  
CUN Minerals  
Recorder's Stamp  
96 JUL 17 PM 3:48  
EUREKA COUNTY NEVADA  
M.N. REBAL EATI, RECORDER  
FILE NO.  
FEES \$9.50  
163498

BOOK 298 PAGE 053

Location Certificate - - Lode Claim

The undersigned citizen of the United States, hereby declare that on the

3<sup>rd</sup> day of May, 1996. He discovered and located lode bearing gold,

silver, or other valuable deposits and on the same day posted the notice of location

at the place of discovery and named the lode the WIN # 62.

The claim is situated in the UNKNOWN Mining District, Eureka

County, Nevada being situated in Section 24, 25, 26, 35 Township

24 N Range 49 E.

The general course of the vein or lode is N 56 E and

S 56 W and locator claim 10 feet in a S 56 W direction and 1490

feet in a N 56 E direction from discovery monument, together with 300 feet on

each side of the center of the vein.

The discovery work consists of maps as required in NRS 517.040.

Each of the four corners are marked by TAGED 2 X 2 WOOD POSTS with an

inscription specifying the name and corner of the claim.

Dated this 3<sup>rd</sup> day of May, 1996.

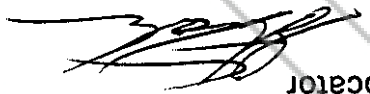
STEVE TOLLER

Address 922-510 W HASTINGS ST VANCOUVER BC  
Address UGB 178

Agent for:

CUN MINERALS  
ONE EAST FIRST ST RENO WASHORE COUNTY  
Address NEVADA 89501

Locator



BOOK 298 PAGE 054

OFFICIAL RECORDS RECORDED AT THE REQUEST OF Recorder's Stamp

Cun Minerals  
96 JUL 17 PM 3:48

EUREKA COUNTY NEVADA  
M.N. REBAL EATI. RECORDER  
FILE NO.

163499

FEES \$9.50

BOOK 298 PAGE 054

Location Certificate - - Lode Claim

The undersigned citizen of the United States, hereby declare that on the

3<sup>rd</sup> day of May, 1996. He discovered and located lode bearing gold,

silver, or other valuable deposits and on the same day posted the notice of location

at the place of discovery and named the lode the WIN # 63.

The claim is situated in the UNKNOWN Mining District, Eureka

County, Nevada being situated in Section 24, 25, 26, 35 Township

24 N Range 49 E.

The general course of the vein or lode is N 56 E and

S 56 W and locator claim 10 feet in a S 56 W direction and 1490

feet in a N 56 E direction from discovery monument, together with 300 feet on

each side of the center of the vein.

The discovery work consists of maps as required in NRS 517.040.

Each of the four corners are marked by TAGED 2 X 2 WOOD POSTS with an

inscription specifying the name and corner of the claim.

Dated this 3<sup>rd</sup> day of May, 1996.

Agent for: STEVE TOURER

922-510 W HASTINGS ST VANCOUVER BC  
Address UGB 178

Locator CUN MINERALS  
ONE EAST FIRST ST RENO WASHORE COUNTY  
Address NEVADA 89501

BOOK 298 PAGE 55

OFFICIAL RECORDS  
RECORDED AT THE REQUEST OF  
Recorder's Stamp

Can Minerals  
96 JUL 17 PM 3:48

EUREKA COUNTY NEVADA  
M.N. REBAL EATL. RECORDER  
FILE NO.

163500  
BOOK 298 PAGE 55

Location Certificate - - Lode Claim

The undersigned citizen of the United States, hereby declare that on the

3<sup>rd</sup> day of May, 1996. He discovered and located lode bearing gold,

silver, or other valuable deposits and on the same day posted the notice of location

at the place of discovery and named the lode the WIN # 64.

The claim is situated in the UNKNOWN Mining District, Eureka

County, Nevada being situated in Section 24, 25, 26, 35 Township

24 N Range 49 E.

The general course of the vein or lode is N 56 E and

S 56 W and locator claim 10 feet in a S 56 W direction and 1490

feet in a N 56 E direction from discovery monument, together with 300 feet on

each side of the center of the vein.

The discovery work consists of maps as required in NRS 517.040.

Each of the four corners are marked by TAGED 2 X 2 WORD POSTS with an

inscription specifying the name and corner of the claim.

Dated this 3<sup>rd</sup> day of May, 1996.

Agent for: STEVE TOURER 922-510 W HASTINGS ST VANCOUVER BC  
Address UGB 178

Locator CUN MINERALS ONE EAST FIRST ST RENO WASHINGTON COUNTY  
Address NEVADA 89501

BOOK 298 PAGE 056  
OFFICIAL RECORDS  
RECORDED AT THE RECORDER'S STAMP  
CUN MINERALS  
96 JUL 17 PM 3:48

EUREKA COUNTY NEVADA  
M.N. REBAL EATI. RECORDER  
FILE NO. 163501  
FEES 9.50  
BOOK 298 PAGE 056



Location Certificate - - Lode Claim

The undersigned citizen of the United States, hereby declare that on the

3<sup>rd</sup> day of May, 1996. He discovered and located lode bearing gold,

silver, or other valuable deposits and on the same day posted the notice of location

at the place of discovery and named the lode the WIN#65.

The claim is situated in the UNKNOWN Mining District, Eureka

County, Nevada being situated in Section 24, 25, 26, 35 Township

24 N Range 49 E.

The general course of the vein or lode is N 56 E and

S 56 W and locator claim 10 feet in a S 56 W direction and 1490

feet in a N 56 E direction from discovery monument, together with 300 feet on

each side of the center of the vein.

The discovery work consists of maps as required in NRS 517.040.

Each of the four corners are marked by TAGED 2 X 2 WOOD POSTS with an

inscription specifying the name and corner of the claim.

Dated this 3<sup>rd</sup> day of May, 1996.

STEVE LOCATER Agent for: 922-510 W HASTINGS ST VANCOUVER BC

Address UGB 178

CUN MINERALS Locator ONE EAST FIRST ST RENO WASHOE COUNTY

Address NEVADA 89501

BOOK 298 PAGE 057  
OFFICIAL RECORDS  
RECORDED AT THE REQUEST OF  
Jan Munsala  
Recorder's Stamp  
96 JUL 17 PM 3:48  
EUREKA COUNTY NEVADA  
M.N. REBAL EATL. RECORDER  
FILE NO. 163502  
FEES \$ 9.50

Location Certificate - - Lode Claim

The undersigned citizen of the United States, hereby declare that on the 3<sup>rd</sup> day of May, 1996, He discovered and located lode bearing gold, silver, or other valuable deposits and on the same day posted the notice of location at the place of discovery and named the lode the WIN # 66.

The claim is situated in the UNKNOWN Mining District, Eureka County, Nevada being situated in Section 24, 25, 26, 35 Township \_\_\_\_\_ Range 49E.

The general course of the vein or lode is N 56 E and \_\_\_\_\_

S 56 W and locator claim 10 feet in a S 56 W direction and 1490 feet in a N 56 E direction from discovery monument, together with 300 feet on each side of the center of the vein.

The discovery work consists of maps as required in NRS 517.040.

Each of the four corners are marked by TAGED 2 X 2 WORD POSTS with an inscription specifying the name and corner of the claim.

Dated this 3<sup>rd</sup> day of May, 1996.

Agent for: STEVE TOCHER 922-510 W HASTINGS ST VANCOUVER BC  
Address UGB 178

Locator Gun Minerals ONE EAST FIRST ST RENO WASHOE COUNTY  
Address NEVADA 89501

BOOK 298 PAGE 058  
OFFICIAL RECORDS Recorder's Stamp  
Gun Minerals  
RECORDED AT THE REQUEST OF  
96 JUL 17 PM 3:48  
EUREKA COUNTY NEVADA  
M.N. REBAL EAT, RECORDER  
FILE NO. 2.50

163503

BOOK 298 PAGE 058

Location Certificate - - Lode Claim

The undersigned citizen of the United States, hereby declare that on the

3<sup>rd</sup> day of May, 1996. He discovered and located lode bearing gold,

silver, or other valuable deposits and on the same day posted the notice of location

at the place of discovery and named the lode the WIN #67.

The claim is situated in the UNKNOWN Mining District, Eureka

County, Nevada being situated in Section 24, 25, 26, 35 Township

24 N Range 49 E.

The general course of the vein or lode is N 56 E and

S 56 W and locator claim 10 feet in a S 56 W direction and 1490

feet in a N 56 E direction from discovery monument, together with 300 feet on

each side of the center of the vein.

The discovery work consists of maps as required in NRS 517.040.

Each of the four corners are marked by TAGGED 2 X 2 WOOD POSTS with an

inscription specifying the name and corner of the claim.

Dated this 3<sup>rd</sup> day of May, 1996.

STEVE TOLLER Agent for: 922-510 W HASTINGS ST VANCOUVER BC  
Address V6B 1L8

CUN MINERALS Locator ONE EAST FIRST ST RENO WASHOE COUNTY  
Address NEVADA 89501

BOOK 298 PAGE 059

OFFICIAL RECORDS RECORDED AT THE RECORDER'S Stamp

96 JUL 17 PM 3:48

EUREKA COUNTY NEVADA  
M.N. REBAL EATL. RECORDER  
FILE NO. 163504  
FEES 9.50

Location Certificate - - Lode Claim

163505

The undersigned citizen of the United States, hereby declare that on the 3<sup>rd</sup> day of May, 1996. He discovered and located lode bearing gold, silver, or other valuable deposits and on the same day posted the notice of location at the place of discovery and named the lode the WIN #68.

The claim is situated in the UNKNOWN Mining District, Eureka County, Nevada being situated in Section 24, 25, 26, 35 Township 24 N Range 49 E.

The general course of the vein or lode is N 56 E and S 56 W and locator claim 10 feet in a S 56 W direction and 1490 feet in a N 56 E direction from discovery monument, together with 300 feet on each side of the center of the vein.

The discovery work consists of maps as required in NRS 517.040. Each of the four corners are marked by TAGED 2 X 2 WOOD POSTS with an inscription specifying the name and corner of the claim.

Dated this 3<sup>rd</sup> day of May, 1996.

Agent for: STEVE TOLLER Address 922-510 W HASTINGS ST VANCOUVER BC

Locator: CUN MINERALS Address ONE EAST FIRST ST RENO WASHOE COUNTY NEVADA 89501

BOOK 298 PAGE 060

OFFICIAL RECORDS RECORDED AT THE REQUEST OF Recorder's Stamp

CUN Minerals

96 JUL 17 PM 3:48

EUREKA COUNTY NEVADA M.N. REBAL EATL. RECORDER FILE NO. FEES \$2.50

163505

BOOK 298 PAGE 060

Location Certificate - - Lode Claim

The undersigned citizen of the United States, hereby declare that on the 3<sup>rd</sup> day of May, 1996, He discovered and located lode bearing gold, silver, or other valuable deposits and on the same day posted the notice of location at the place of discovery and named the lode the WIN #69.

The claim is situated in the UNKNOWN Mining District, Eureka County, Nevada being situated in Section 24, 25, 26, 35 Township \_\_\_\_\_ Range 49E.

The general course of the vein or lode is N 56 E and \_\_\_\_\_ and locator claim 10 feet in a S 56 W direction and 1490 feet in a N 56 E direction from discovery monument, together with 300 feet on each side of the center of the vein.

The discovery work consists of maps as required in NRS 517.040. Each of the four corners are marked by TAGGED 2 X 2 WOOD POSTS with an inscription specifying the name and corner of the claim.

Dated this 3<sup>rd</sup> day of May, 1996.

Agent for: STEVE TORNER 922-510 W HASTINGS ST VANCOUVER BC Address V 6 B 1 L 8

Locator CUN MINERALS - DAVE EAST FIRST ST RENO WASHOE COUNTY Address NEVADA 89501

BOOK 298 PAGE 061  
OFFICIAL RECORDS  
RECORDED AT THE REQUEST OF  
CUN Minerals  
96 JUL 17 PM 3:49  
EUREKA COUNTY NEVADA  
M.N. REBAL/ATTI, RECORDER  
FILE NO. \_\_\_\_\_  
FEES \$2.50

Recorder's Stamp

Location Certificate - - Lode Claim

The undersigned citizen of the United States, hereby declare that on the

3<sup>rd</sup> day of May, 1996. He discovered and located lode bearing gold,

silver, or other valuable deposits and on the same day posted the notice of location

at the place of discovery and named the lode the WIN #70.

The claim is situated in the UNKNOWN Mining District, Eureka

County, Nevada being situated in Section 24, 25, 26, 35 Township

24 N Range 49 E.

The general course of the vein or lode is N 56 E and

S 56 W and locator claim 10 feet in a S 56 W direction and 1490

feet in a N 56 E direction from discovery monument, together with 300 feet on

each side of the center of the vein.

The discovery work consists of maps as required in NRS 517.040.

Each of the four corners are marked by TAGGED 2 X 2 WORD POSTS with an

inscription specifying the name and corner of the claim.

Dated this 3<sup>rd</sup> day of May, 1996.

Agent for: Steve Tozier 922-510 W HASTINGS ST VANCOUVER BC  
Address VGB 1L8

Locator CUN MINERALS ONE EAST FIRST ST RENO WASHORE COUNTY  
Address NEVADA 89501

Recorder's Stamp

BOOK 298 PAGE 062

OFFICIAL RECORDS

RECORDED AT THE REQUEST OF

CUN MINERALS

96 JUL 17 PM 3:49

EUREKA COUNTY NEVADA  
M.N. REBALCATION RECORDER  
FILE NO. FEES 9.50

Location Certificate - - Lode Claim

The undersigned citizen of the United States, hereby declare that on the

3<sup>rd</sup> day of May, 1996. He discovered and located lode bearing gold,

silver, or other valuable deposits and on the same day posted the notice of location

at the place of discovery and named the lode the WIN #1.

The claim is situated in the UNKNOWN Mining District, Eureka

County, Nevada being situated in Section 24, 25, 26, 35 Township

24N Range 49E.

The general course of the vein or lode is N 56 E and

S 56 W and locator claim 1490 feet in a S 56 W direction and 10

feet in a N 56 E direction from discovery monument, together with 300 feet on

each side of the center of the vein.

The discovery work consists of maps as required in NRS 517.040.

Each of the four corners are marked by TAGGED 2X2 WOOD POSTS with an

inscription specifying the name and corner of the claim.

Dated this 3<sup>rd</sup> day of May, 1996.

Agent for: STEVE TECHER

922-510 W HASTINGS ST WILKINSON BC

Address UGB 128

Locator CUV MINERALS ONE EAST FIRST ST RENO WASHOE COUNTY

Address NEVADA 89501

BOOK 298 PAGE 063

OFFICIAL RECORDS RECORDED AT THE REQUEST OF

Gene M. M... 96 JUL 17 PM 3:49

EUREKA COUNTY NEVADA M.N. REBAL EATI, RECORDER

FILE NO. 163508 FEES 9.50

BOOK 298 PAGE 063

RECORDER'S STAMP

163508

BOOK 298 PAGE 063

163508

Location Certificate - - Lode Claim

The undersigned citizen of the United States, hereby declare that on the 3<sup>RD</sup> day of MAY, 1996. He discovered and located lode bearing gold, silver, or other valuable deposits and on the same day posted the notice of location at the place of discovery and named the lode the WIN #2.

The claim is situated in the UNKNOWN Mining District, Eureka County, Nevada being situated in Section 24, 25, 26, 35 Township \_\_\_\_\_ Range 49E.

The general course of the vein or lode is N 56 E and 10 feet in a N 56 E direction from discovery monument, together with 300 feet on each side of the center of the vein.

The discovery work consists of maps as required in NRS 517.040. Each of the four corners are marked by Tagged 2x2 Wood Posts with an inscription specifying the name and corner of the claim.

Dated this 3<sup>RD</sup> day of MAY, 1996.

Agent for: STUE TOLCHER 922-510 W HASTINGS ST WACOVER BC Address U G B 128

Locator CUI MINERALS ONE EAST FIRST ST RENO WASHOE COUNTY Address NEVADA 89501

BOOK 298 PAGE 064  
OFFICIAL RECORDS  
RECORDED AT THE REQUEST OF Recorder's Stamp  
CUI Minerals  
96 JUL 17 PM 3:49  
EUREKA COUNTY NEVADA  
M. N. REBALCATTI, RECORDER  
FILE NO. 163509  
FEES 9.50



Location Certificate - - Lode Claim

The undersigned citizen of the United States, hereby declare that on the 3<sup>RD</sup> day of May, 1996. He discovered and located lode bearing gold, silver, or other valuable deposits and on the same day posted the notice of location at the place of discovery and named the lode the WIN #3.

The claim is situated in the CAN KNOWN Mining District, Eureka County, Nevada being situated in Section 24, 25, 26, 35 Township \_\_\_\_\_ Range 49E.

The general course of the vein or lode is N 56 E and S 56 W and locator claim 1490 feet in a S 56 W direction and 10 feet in a N 56 E direction from discovery monument, together with 300 feet on each side of the center of the vein.

The discovery work consists of maps as required in NRS 517.040. Each of the four corners are marked by TAGGED 2X2 WOOD POSTS with an inscription specifying the name and corner of the claim.

Dated this 3<sup>RD</sup> day of May, 1996.

STEVE TOCHER  
Agent for: 922-510 W HASTINGS ST MANCOVER BC  
Address U 6 B 128

CUM MINERALS  
Locator ONE EAST FIRST ST RENO WASHOE COUNTY  
Address NEVADA 89501

BOOK 298 PAGE 065  
OFFICIAL RECORDS  
RECORDED AT THE REQUEST OF  
Cum Minerals  
Recorder's Stamp  
96 JUL 17 PM 3:49  
EUREKA COUNTY NEVADA  
M.H. REBALZATI, RECORDER  
FILE NO. \_\_\_\_\_  
FEES \$ 50

Location Certificate - - Lode Claim

The undersigned citizen of the United States, hereby declare that on the 3<sup>RD</sup> day of May, 1996. He discovered and located lode bearing gold, silver, or other valuable deposits and on the same day posted the notice of location at the place of discovery and named the lode the WIN #4.

The claim is situated in the UNKNOWN Mining District, Eureka County, Nevada being situated in Section 24, 25, 26, 35 Township 24N Range 49E.

The general course of the vein or lode is N56E and 56W and locator claim 1490 feet in a S56W direction and 10 feet in a N56E direction from discovery monument, together with 300 feet on each side of the center of the vein.

The discovery work consists of maps as required in NRS 517.040. Each of the four corners are marked by TAGED 2X2 WOOD POSTS with an inscription specifying the name and corner of the claim.

Dated this 3<sup>RD</sup> day of May, 1996.

Agent for: STEVE TOCHER 922-510 W HASTINGS ST WILKOVIC BC Address U G B 128

Locator: CUI MINERALS OAK EAST FIRST ST RENO WASHOE COUNTY Address NEVADA 89501

BOOK 298 PAGE 066

OFFICIAL RECORDS RECORDED AT THE REQUEST OF

96 JUL 17 PM 3:49 Recorder's Stamp

EUREKA COUNTY NEVADA M.N. REBAL EATI. RECORDER FILE NO. FEES 9.50

163511

BOOK 298 PAGE 066

163511

Location Certificate - - Lode Claim

The undersigned citizen of the United States, hereby declare that on the 3<sup>RD</sup> day of May, 1996. He discovered and located lode bearing gold, silver, or other valuable deposits and on the same day posted the notice of location at the place of discovery and named the lode the WINDS.

The claim is situated in the UNKNOWN Mining District, Eureka County, Nevada being situated in Section 24, 25, 26, 35 Township 24N Range 49E.

The general course of the vein or lode is N 56 E and S 56 W and locator claim 1490 feet in a S 56 W direction and 10 feet in a N 56 E direction from discovery monument, together with 300 feet on each side of the center of the vein.

The discovery work consists of maps as required in NRS 517.040. Each of the four corners are marked by TAPE 2 X 2 WOOD POSTS with an inscription specifying the name and corner of the claim.

Dated this 3<sup>RD</sup> day of May, 1996.

Agent for: STEVE TOCHER 922-510 W HASTINGS ST WACOVER BC  
Address U 6 B 128

Locator CUY MINERALS - ONE EAST FIRST ST RENO WASHOE COUNTY  
Address NEVADA 89501

Recorder's Stamp

BOOK 298 PAGE 067  
OFFICIAL RECORDS  
RECORDED AT THE REQUEST OF  
Cuy Minerals  
96 JUL 17 PM 3:49  
EUREKA COUNTY NEVADA  
M.N. REBAL EATL. RECORDER  
FILE NO. 163512  
FEES \$9.50

Location Certificate - - Lode Claim

The undersigned citizen of the United States, hereby declare that on the 3<sup>rd</sup> day of May, 1996. He discovered and located lode bearing gold, silver, or other valuable deposits and on the same day posted the notice of location at the place of discovery and named the lode the WIN #6.

The claim is situated in the UNKNOWN Mining District, Eureka County, Nevada being situated in Section 24, 25, 26, 35 Township \_\_\_\_\_ Range 49E and \_\_\_\_\_

The general course of the vein or lode is N 56 E and \_\_\_\_\_ feet in a N 56 E direction from discovery monument, together with 300 feet on each side of the center of the vein.

The discovery work consists of maps as required in NRS 517.040. Each of the four corners are marked by TAGED 2X2 WOOD POSTS with an inscription specifying the name and corner of the claim.

Dated this 3<sup>rd</sup> day of May, 1996.

Agent for: STEVE TOCHER 922-510 W HASTINGS ST WACOVER BC  
Address U6B 128

Locator: LUK MINERALS ONE EAST FIRST ST RENO WASHOE COUNTY  
Address NEVADA 89501

BOOK 298 PAGE 068  
OFFICIAL RECORDS  
RECORDED AT THE REQUEST OF  
CUN MINERALS  
96 JUL 17 PM 3:50  
EUREKA COUNTY NEVADA  
M.N. REBALANCE RECORDER  
FILE NO. \_\_\_\_\_  
FEES \$ 50

Recorder's Stamp

Location Certificate - - Lode Claim

The undersigned citizen of the United States, hereby declare that on the

3<sup>RD</sup> day of MAY, 1996. He discovered and located lode bearing gold,

silver, or other valuable deposits and on the same day posted the notice of location

at the place of discovery and named the lode the WIN #7.

The claim is situated in the UNKNOWN Mining District, Eureka

County, Nevada being situated in Section 24, 25, 26, 35 Township

24N Range 49E.

The general course of the vein or lode is N 56 E and

S 56 W and locator claim 1490 feet in a S 56 W direction and 10

feet in a N 56 E direction from discovery monument, together with 300 feet on

each side of the center of the vein.

The discovery work consists of maps as required in NRS 517.040.

Each of the four corners are marked by TAGGED 2X2 WOOD POSTS with an

inscription specifying the name and corner of the claim.

Dated this 3<sup>RD</sup> day of MAY, 1996.

STEVE TOCHER 922-510 W HASTINGS ST MANICOVER BC  
Agent for: Address U 6 B 128

CUN MINERALS ONE EAST FIRST ST RENO WASHOE COUNTY  
Locator Address NEVADA 89501

BOOK 298 PAGE 069

OFFICIAL RECORDS RECORDED AT THE REQUEST OF

CUN MINERALS Recorder's Stamp

EUREKA COUNTY NEVADA M.H. REBALANTI, RECORDER FILE NO. FEES \$9.50

163514

Location Certificate - - Lode Claim

The undersigned citizen of the United States, hereby declare that on the 3<sup>rd</sup> day of May, 1996. He discovered and located lode bearing gold, silver, or other valuable deposits and on the same day posted the notice of location at the place of discovery and named the lode the WINN #8.  
The claim is situated in the UNKNOWN Mining District, Eureka County, Nevada being situated in Section 24, 25, 26, 35 Township \_\_\_\_\_ Range 49E.

The general course of the vein or lode is N56E and \_\_\_\_\_ and S56W and locator claim 1490 feet in a S56W direction and 10 feet in a N56E direction from discovery monument, together with 300 feet on each side of the center of the vein.  
The discovery work consists of maps as required in NRS 517.040. Each of the four corners are marked by TAGED 2X2 WOOD POSTS with an inscription specifying the name and corner of the claim.

Dated this 3<sup>rd</sup> day of May, 1996.  
Agent for: STEVE TOCHER 922-510 W HASTINGS ST MANICOVER BC Address UGB 128  
CUM MINERALS ONE EAST FIRST ST RENO WASHOE COUNTY Address NEVADA 89501 Locator \_\_\_\_\_

BOOK 298 PAGE 070  
OFFICIAL RECORDS  
RECORDED AT THE REQUEST OF  
CUM MINERALS  
96 JUL 17 PM 3:50  
EUREKA COUNTY NEVADA  
M.N. REBAL. RECORDED  
FILE NO. \_\_\_\_\_  
FEE \$ 9.50  
163515

Location Certificate - - Lode Claim

The undersigned citizen of the United States, hereby declare that on the 3<sup>rd</sup> day of MAY, 1996. He discovered and located lode bearing gold, silver, or other valuable deposits and on the same day posted the notice of location at the place of discovery and named the lode the WIN #9.

The claim is situated in the UNKNOWN Mining District, Eureka County, Nevada being situated in Section 24, 25, 26, 35 Township \_\_\_\_\_ Range 49E and \_\_\_\_\_

The general course of the vein or lode is N 56E and \_\_\_\_\_ feet in a N 56E direction from discovery monument, together with 300 feet on each side of the center of the vein.

The discovery work consists of maps as required in NRS 517.040. Each of the four corners are marked by TAGGED 2X2 WOOD POSTS with an inscription specifying the name and corner of the claim.

Dated this 3<sup>rd</sup> day of MAY, 1996

Agent for: STEVE TOCHER 922-510 W HASTINGS ST VANCOUVER BC  
Address U G B 128

Locator: CUN MINERALS ONE EAST FIRST ST RENO WASHOE COUNTY  
Address NEVADA 89501

BOOK 298 PAGE 071

OFFICIAL RECORDS  
RECORDED AT THE REQUEST OF Recorder's Stamp  
CUN MINERALS  
96 JUL 17 PM 3: 50

EUREKA COUNTY NEVADA  
M. M. REBALCATTI, RECORDER  
FILE NO. \_\_\_\_\_  
FEES \$ 9.50

163517

Location Certificate - - Lode Claim

The undersigned citizen of the United States, hereby declare that on the 3<sup>rd</sup> day of May, 1996. He discovered and located lode bearing gold, silver, or other valuable deposits and on the same day posted the notice of location at the place of discovery and named the lode the WIN #10.

The claim is situated in the UNKNOWN Mining District, Eureka County, Nevada being situated in Section 24, 25, 26, 35 Township \_\_\_\_\_ Range 49E \_\_\_\_\_.

The general course of the vein or lode is N 56 E and \_\_\_\_\_ and S 56 W and locator claim 1490 feet in a S 56 W direction and 10 feet in a N 56 E direction from discovery monument, together with 300 feet on each side of the center of the vein.

The discovery work consists of maps as required in NRS 517.040. Each of the four corners are marked by TAGGED 2X2 WOOD POSTS with an inscription specifying the name and corner of the claim.

Dated this 3<sup>rd</sup> day of May, 1996.

STUEFTECHER 922-510 W HASTINGS ST WACOVER BC  
Agent for: Address U G B 128

CUN MINERALS ONE FIRST ST RENO WASHOE COUNTY  
Locator Address NEVADA 89501

BOOK 298 PAGE 072

OFFICIAL RECORDS  
RECORDED AT THE REQUEST OF Recorder's Stamp  
Cun Minerals

96 JUL 17 PM 3:50

EUREKA COUNTY NEVADA  
M.N. REBAL EATL. RECORDER  
FILE NO. FEES \$9.50

163517

BOOK 298 PAGE 072



Location Certificate - - Lode Claim

The undersigned citizen of the United States, hereby declare that on the 3<sup>rd</sup> day of May, 1996, He discovered and located lode bearing gold, silver, or other valuable deposits and on the same day posted the notice of location at the place of discovery and named the lode the WIN #11.

The claim is situated in the UNKNOWN Mining District, Eureka County, Nevada being situated in Section 24, 25, 26, 35 Township \_\_\_\_\_ Range 49E.

The general course of the vein or lode is N 56E and \_\_\_\_\_ and locator claim 1490 feet in a S 56W direction and 10 feet in a N 56E direction from discovery monument, together with 300 feet on each side of the center of the vein.

The discovery work consists of maps as required in NRS 517.040. Each of the four corners are marked by TAGED 2X2 WOOD POSTS with an inscription specifying the name and corner of the claim.

Dated this 3<sup>rd</sup> day of May, 1996.

Agent for: STEVE TOCHER 922-510 W HASTINGS ST VANCOUVER BC  
Address U 6 B 1 L 8

Locator CUM MINERALS ONE FIRST ST RENO WASHOE COUNTY  
Address NEVADA 89501

BOOK 298 PAGE 073

OFFICIAL RECORDS

RECORDED AT THE REQUEST Recorder's Stamp

96 JUL 17 PM 3: 50

Cum Minerals

EUREKA COUNTY NEVADA

M.M. REBAL EATL. RECORDER

FEES \$2.50

163518

FILE NO.

BOOK 298 PAGE 073

Location Certificate - - Lode Claim

The undersigned citizen of the United States, hereby declare that on the 3<sup>rd</sup> day of May, 1996, He discovered and located lode bearing gold, silver, or other valuable deposits and on the same day posted the notice of location at the place of discovery and named the lode the WINT<sup>#</sup>12.

The claim is situated in the UNKNOWN Mining District, Eureka County, Nevada being situated in Section 24, 25, 26, 35 Township \_\_\_\_\_ Range 49E \_\_\_\_\_

The general course of the vein or lode is N 56E \_\_\_\_\_ and S 56W and locator claim 1490 feet in a S 56W direction and 10 feet in a N 56E direction from discovery monument, together with 300 feet on each side of the center of the vein.

The discovery work consists of maps as required in NRS 517.040. Each of the four corners are marked by TAGED 2X2 WOOD POSTS with an inscription specifying the name and corner of the claim.

Dated this 3<sup>rd</sup> day of May, 1996

Agent for: STEVE TOCHER 922-510 W HASTINGS ST WACOVER BC Address V 6 B 128

Locator: CUI MINERALS ONE FIRST ST RENO WASHOE COUNTY Address NEVADA 89501

BOOK 298 PAGE 074  
OFFICIAL RECORDS  
RECORDED AT THE REQUEST OF  
CUI MINERALS  
96 JUL 17 PM 3:50  
EUREKA COUNTY NEVADA  
FILE NO. 163519  
REBAL EATL. RECORDER  
FEES 9.50

Location Certificate - - Lode Claim

The undersigned citizen of the United States, hereby declare that on the 3<sup>RD</sup> day of May, 1996. He discovered and located lode bearing gold, silver, or other valuable deposits and on the same day posted the notice of location at the place of discovery and named the lode the WIN #13.

The claim is situated in the UNKNOWN Mining District, Eureka County, Nevada being situated in Section 24, 25, 26, 35 Township \_\_\_\_\_ Range 49E and \_\_\_\_\_

The general course of the vein or lode is N 56E and \_\_\_\_\_ feet in a N 56E direction from discovery monument, together with 300 feet on each side of the center of the vein.

The discovery work consists of maps as required in NRS 517.040. Each of the four corners are marked by TAGS 2X2 WOOD POSTS with an inscription specifying the name and corner of the claim.

Dated this 3<sup>RD</sup> day of May, 1996

Agent for: STEVE TOCHER 922-510 W HASTINGS ST WILMINGTON BC  
Address U 6 B 1 C 8

Locator CUI MINERALS ONE EAST FIRST ST RENO WASHOE COUNTY  
Address NEVADA 89501

BOOK 298 PAGE 075  
OFFICIAL RECORDS  
RECORDED AT THE REQUEST OF  
DAVID MUMFORD  
Recorder's Stamp  
96 JUL 17 PM 3:51

EUREKA COUNTY NEVADA  
M.N. REBALANCE RECORDER  
FILE NO. \_\_\_\_\_  
FEES \$9.50

163520

300K 298 PAGE 075

163520

Location Certificate - - Lode Claim

The undersigned citizen of the United States, hereby declare that on the

3<sup>rd</sup> day of May, 1996, He discovered and located lode bearing gold,

silver, or other valuable deposits and on the same day posted the notice of location

at the place of discovery and named the lode the WIN #14.

The claim is situated in the UNKNOWN Mining District, Eureka

County, Nevada being situated in Section 24, 25, 26, 35 Township

24N Range 49E.

The general course of the vein or lode is N 56 E and

56W and locator claim 1490 feet in a S 56 W direction and 10

feet in a N 56 E direction from discovery monument, together with 300 feet on

each side of the center of the vein.

The discovery work consists of maps as required in NRS 517.040.

Each of the four corners are marked by TAGED 2x2 WOOD POSTS with an

inscription specifying the name and corner of the claim.

Dated this 3<sup>rd</sup> day of May, 1996

Agent for: STEVE TOCHER

922-510 W HASTINGS ST VANCOUVER BC

Address U 6 B 1 L 8

Locator LUN MINERALS ONE FIRST ST RENO WASHOE COUNTY

Address NEVADA 89501

*[Signature]*

BOOK 298 PAGE 116  
OFFICIAL RECORDS  
RECORDED AT THE REQUEST OF Recorder's Stamp

96 JUL 17 PM 3:51  
DUN MINERALS

EUREKA COUNTY NEVADA  
M.N. REBAL EATL. RECORDER  
FILE NO. FEES \$ 50