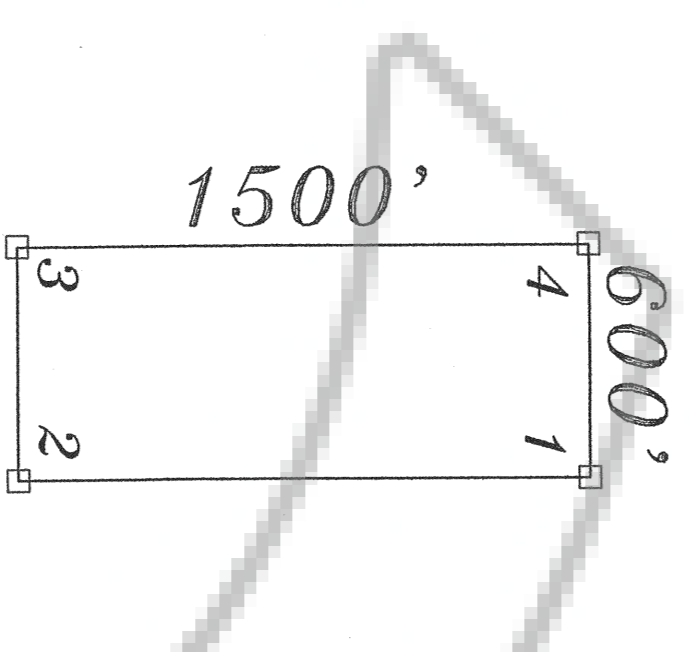


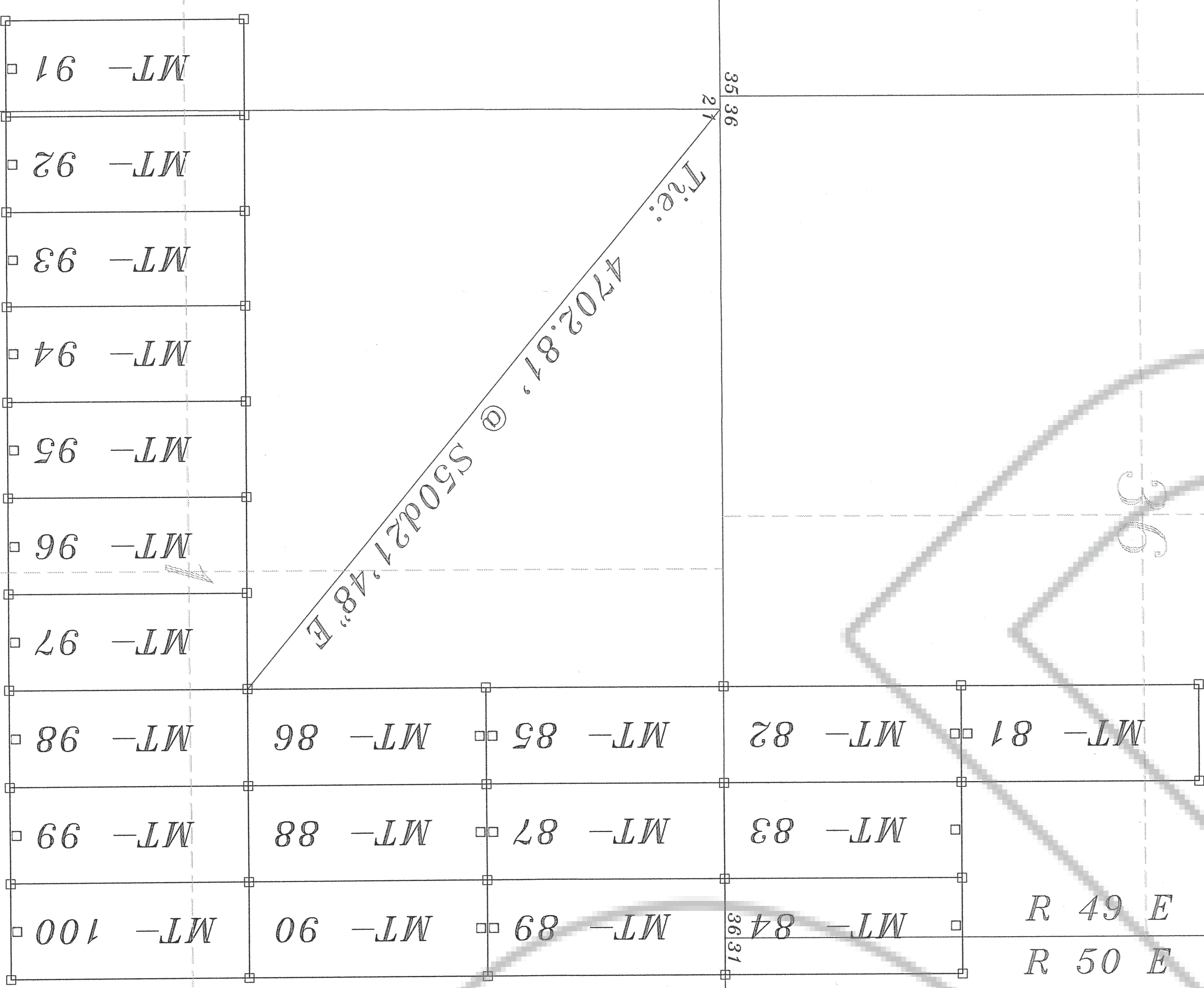
NOTES:  
ALL CLAIMS ARE 600' X 1500'  
LOCATION MONUMENTS ARE SET IN 5 FEET FROM END LINES  
ALL MONUMENTS AND CORNERS ARE 2" X 2" X 4' WOOD POSTS

LOCATION DATE:  
10/19/96: MT81 - MT100

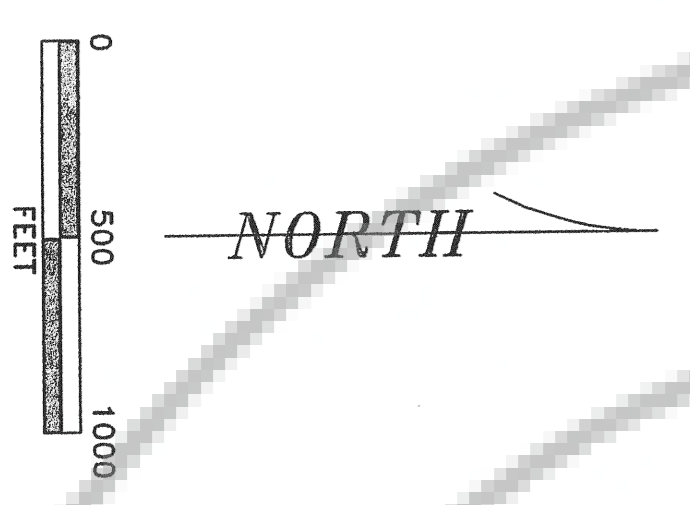
T 19 N  
T 18 N  
M.D.B.&M.



TYPICAL CLAIM



R 49 E  
R 50 E



LOCATOR:  
KENNECOTT EXPLORATION  
961 MATLEY LANE, SUITE 120  
RENO, NEVADA 89502

**Kennecott**  
Reno Exploration Office  
1" = 500'  
File: CMMT  
Data By: BJK  
Drafted By: BJK  
Date: 10/23/96  
Revised:  
MT LODGE CLAIMS  
EUREKA COUNTY,  
NEVADA

FILED AT THE REQUEST OF **Kennecott Exploration**  
ON RECORDS 1655807  
RECORDS 1655807  
FILE NO. 1655807  
U.S. 1872  
PLAT NO. 1655807  
RECORDS 1655807  
FILE NO. 1655807

351 36  
21  
1112  
16  
127