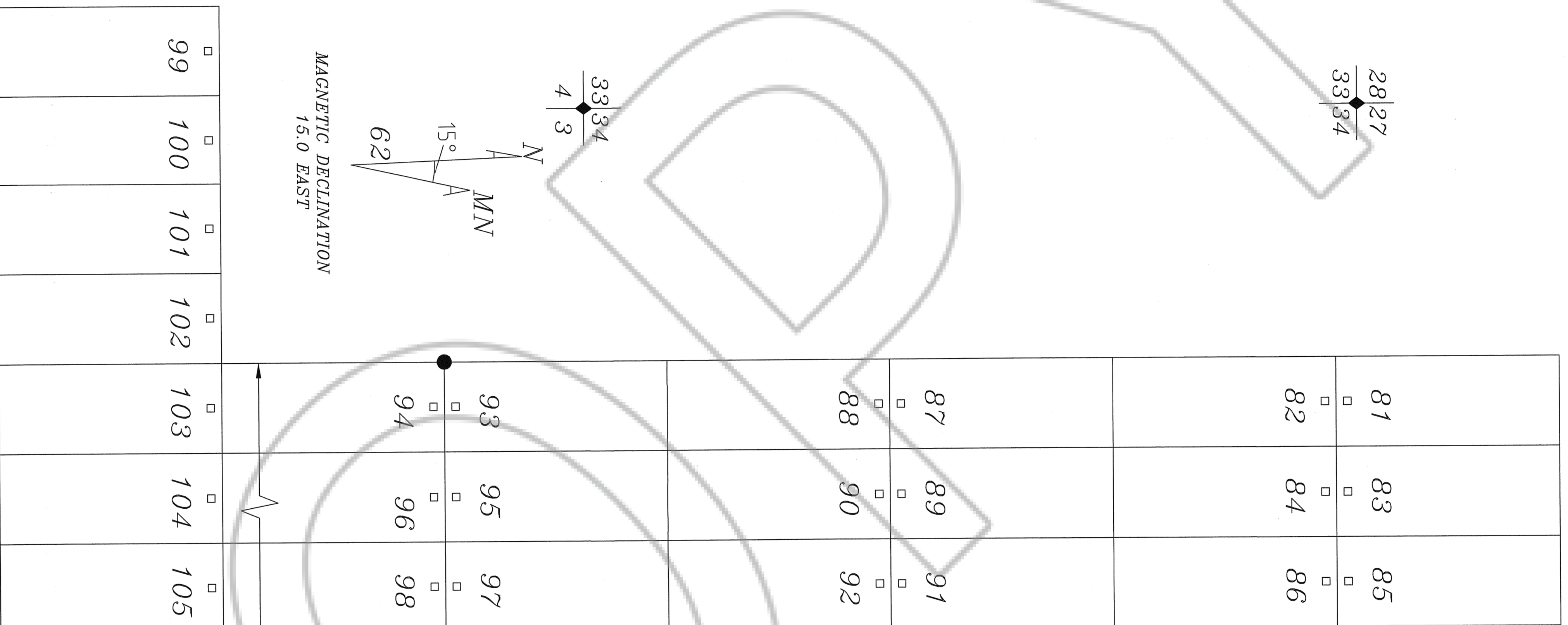


R. 52 E.



T. 19 N.

T. 18 N.

MAGNETIC DECLINATION
15.0 EAST

LOCATOR:

WHITE KNIGHT GOLD US INC
922-510 WEST HASTINGS STREET
VANCOUVER BC V6B 1L8

LOCATION:

SECTION 27 AND 34 T19N R52E M.D.M.B.
SECTION 3 AND 4 T18N R52E M.D.M.B.
EUREKA COUNTY NEVADA

TIE POINT:

THE SW CORNER OF ACE 89 IS LOCATED
APPROXIMATELY 4,400' N AND 14,050'
W OF THE SE CORNER OF SEC 17 T18N R52E

LOCATION DATES:

12/04/96 ACE 81-86
12/06/96 ACE 87-105

NOTE:

ALL CLAIMS ARE 1500' X 600' WITH
LOCATION MONUMENTS LOCATED 20' IN
FROM END LINES, UNLESS OTHERWISE
NOTED. ALL MONUMENTS ARE 2" X 2" X 4"
WOODEN POSTS.

WHITE KNIGHT GOLD (U.S.) INC.

AMENDED

LODE MINING CLAIMS

ACE 81-105

EUREKA COUNTY, NEVADA

DATE: 31 MARCH 1997 SCALE: 1" = 500'
DRAWN: TerraCAD 97021-A DWG.#

FILED AT THE REQUEST OF *White Knight Resources*
ON *March 13* 1997 AT *4:49* P.M.
RECORDS OF EUREKA COUNTY, NEVADA
FILE NO. **166313** Fee \$ **2.00**