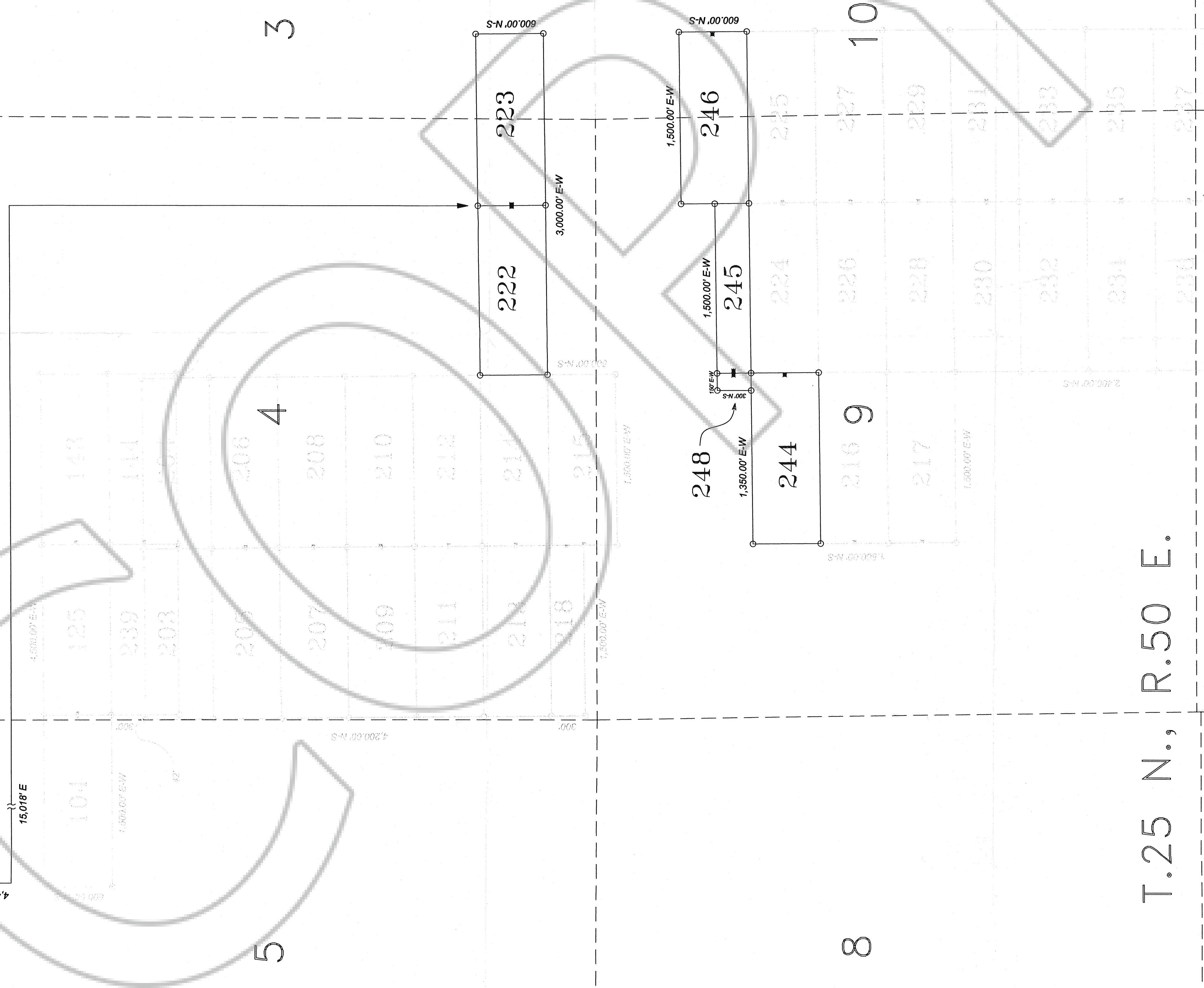


To NW Cor. Section 6  
T.25N., R.50E.

Note: the NE corner of RP 222 is approximately 4437 feet south and  
15018 feet east from the NW corner of Section 6, Township 25 North,  
Range 50 East, MDB & M.



# CLAIM MAP

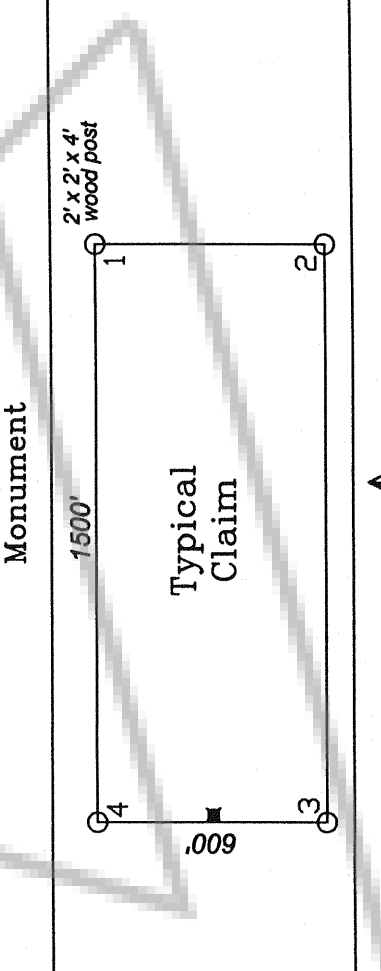
EXPLANATION	
○	CLAIM CORNER 2x2 WOOD POST w/ METAL TAG
▪	LOCATION MONUMENT 2x2 WOOD POST w/ METAL TAG & LOCATION NOTICE

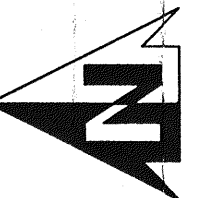
RP Nos. 222, 223  
Both claims are located  
Location Monuments are Located  
10' off End-Lines

Location Monument  
End-Line 10.0' Typ.  
Location Monument 10.0' Typ.

RP Nos. 244, 245, 246, 248  
All claims are 1500' except  
RP-248 which is 150' x 300'.  
Location Monuments are Located  
20' off End-Lines

Location Monument  
End-Line 20.0' Typ.  
Location Monument 20.0' Typ.





0 500 1000 1500  
SCALE  
U.S. Survey Foot

ROMARCO NEVADA Inc.

## CLAIM MAP

RP CLAIMS  
222, 223, 244,  
245, 246, 248

Located in Sections 3, 4, 9, & 10  
T.25 N., R.50 E. Mt. Diablo B&M  
Eureka County, Nevada

Located By:  
Romarco Nevada Inc.  
5450 Riggins Court #2  
Reno, Nevada 89502

Drawn By: JDW Date: 10/2/98  
Revised: \_\_\_\_\_