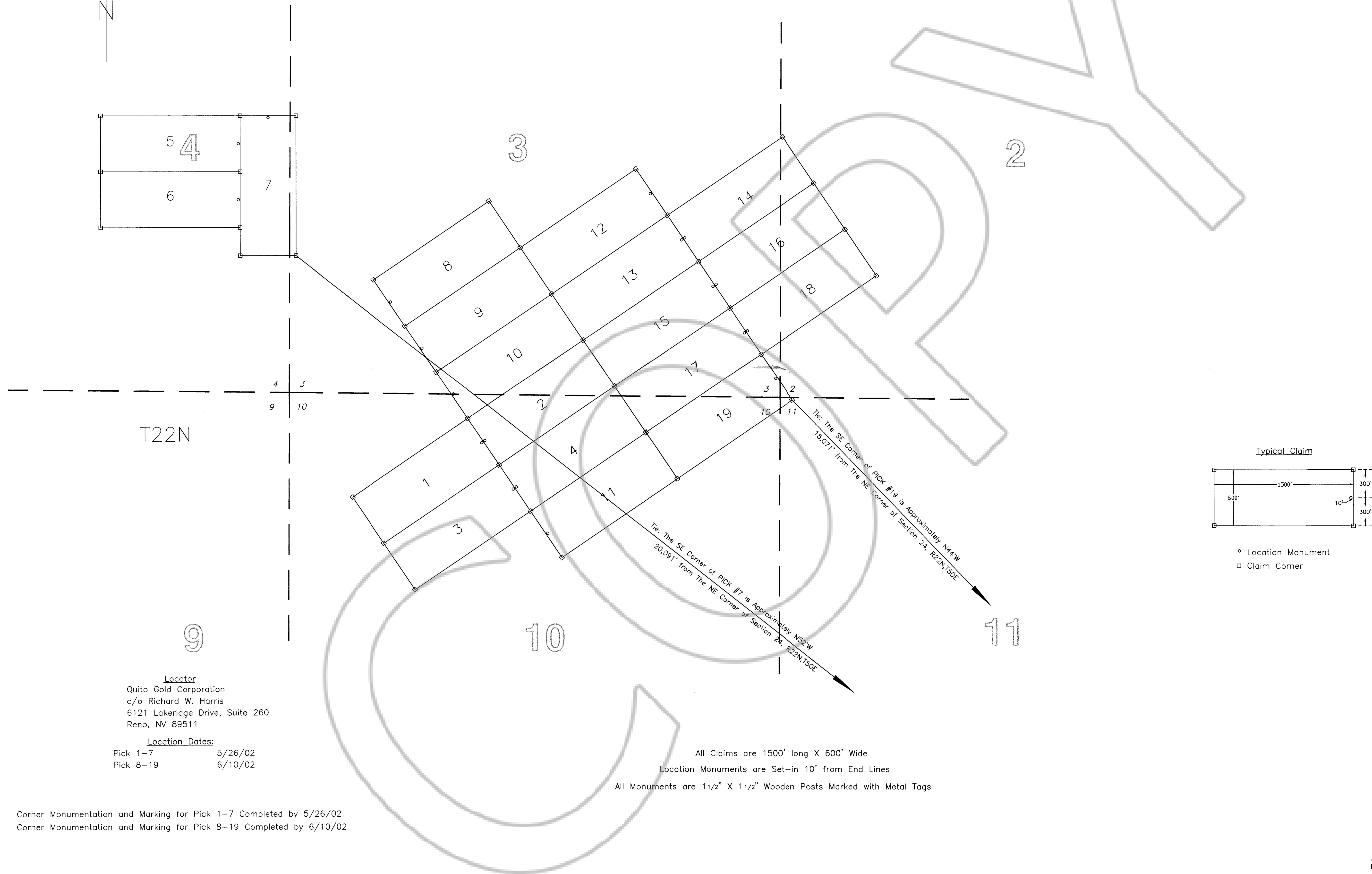


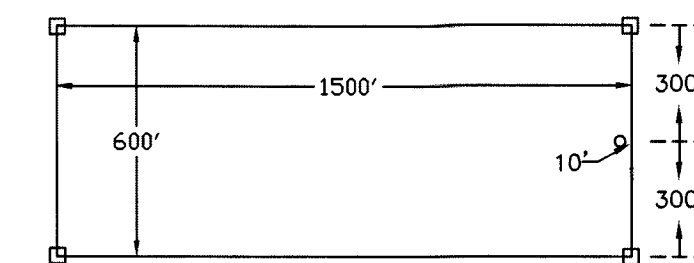
MAP OF THE PICK 1-19 LODE CLAIMS

Located in Unsurveyed Sections 2,3,4,10 & 11 of T22N, R50E
Unknown Mining District, Eureka County, Nevada

R50E



Typical Claim



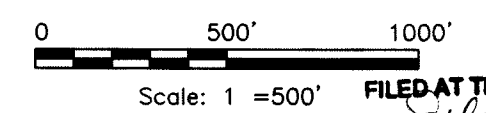
◦ Location Monument
◻ Claim Corner

Locator
Quito Gold Corporation
c/o Richard W. Harris
6121 Lakeridge Drive, Suite 260
Reno, NV 89511

Location Dates:
Pick 1-7 5/26/02
Pick 8-19 6/10/02

All Claims are 1500' long X 600' Wide
Location Monuments are Set-in 10' from End Lines
All Monuments are 1 1/2" X 1 1/2" Wooden Posts Marked with Metal Tags

Corner Monumentation and Marking for Pick 1-7 Completed by 5/26/02
Corner Monumentation and Marking for Pick 8-19 Completed by 6/10/02



Scale: 1" = 500'
FILED AT THE REQUEST OF Quito Gold Corp
on July 19, 02, at 1:30 p.m. per 219
RECORDS OF EUREKA COUNTY, NEVADA M. N. FIDALBERTI, Recorder
File No. 178351 Fee \$ 189.00