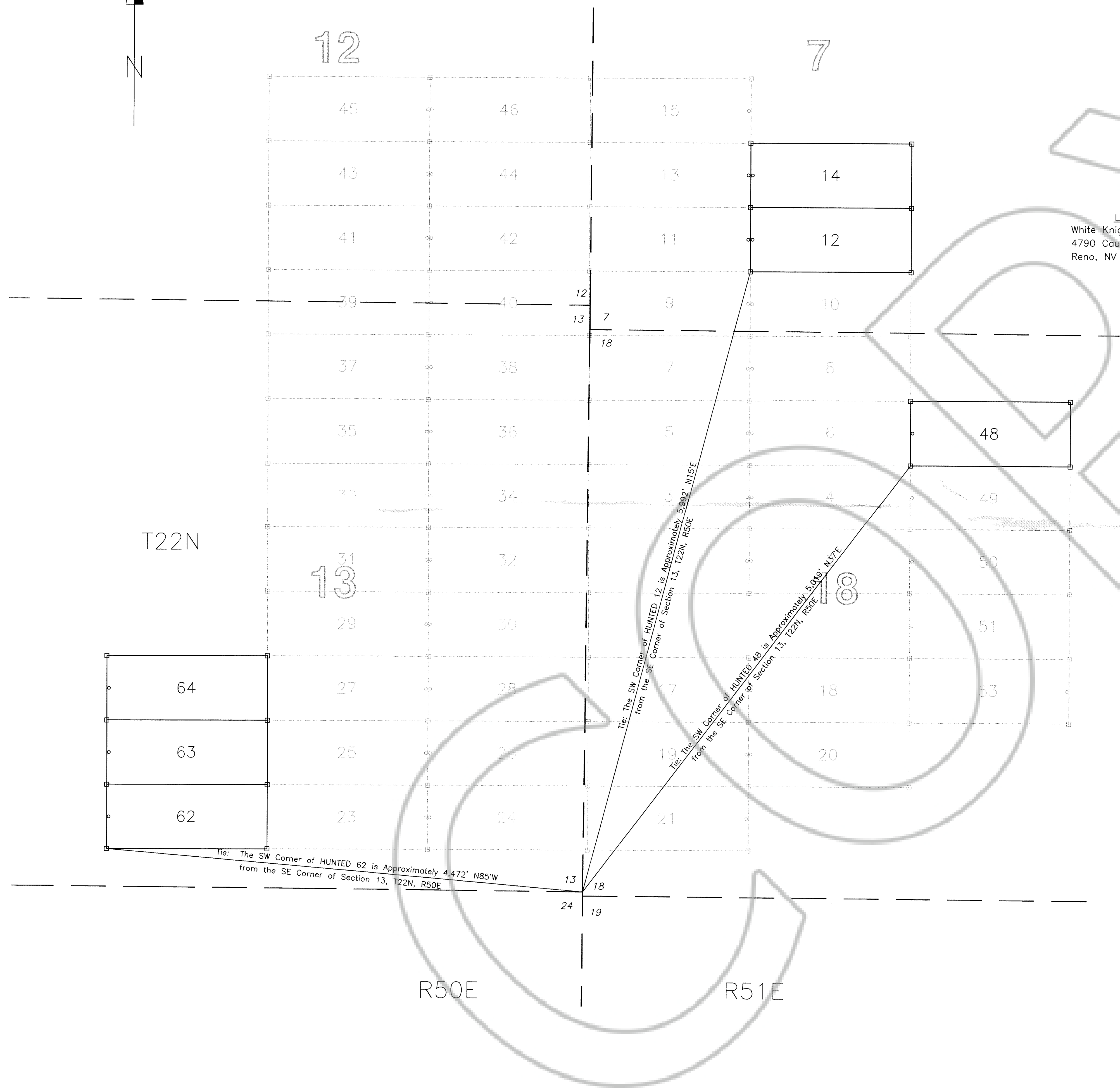
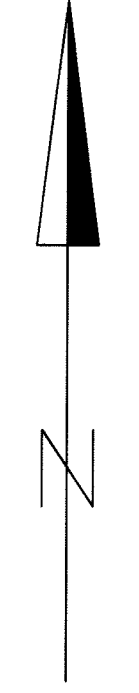


# MAP OF THE HUNTED 12, 14, 48 & 62 - 64 LODE CLAIMS

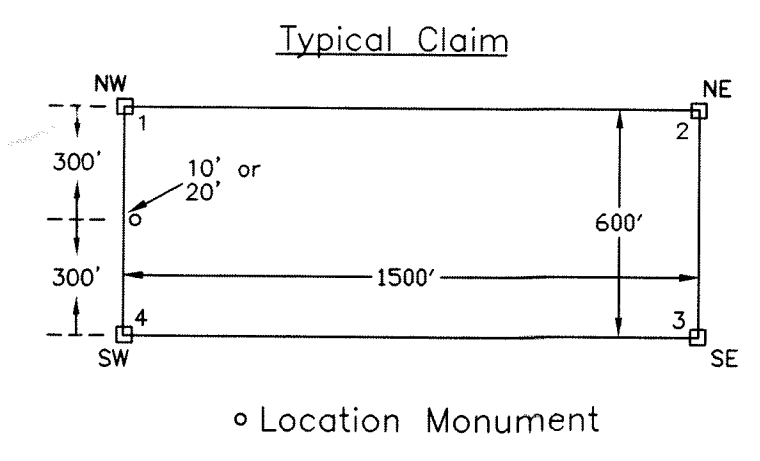
Located in Unsurveyed Sections 12 & 13 of T22N, R50E  
 And Unsurveyed Sections 7 & 18 of T22N, R51E  
 Unknown Mining District, Eureka County, Nevada



**Locator**  
 White Knight Gold (U.S.), Inc.  
 4790 Caughlin Parkway #137  
 Reno, NV 89509-0907

**Location Date:**  
 HUNTED 62 - 64 4/24/02  
 Corner Monumentation and Marking Completed by 4/24/02

**Location Date:**  
 HUNTED 12, 14 & 48 4/25/02  
 Corner Monumentation and Marking Completed by 4/25/02



All Claims are 1500' long X 600' Wide  
 Location Monuments for Claims 12,14 & 48 are Set-in 20' from End Lines  
 Location Monuments for Claims 62-64 are Set-in 10' from End Lines  
 All Monuments are 1 1/2" X 1 1/2" Wooden Posts Marked with Metal Tags

