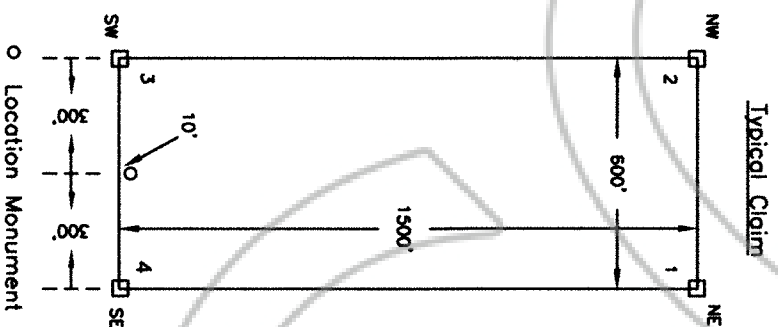
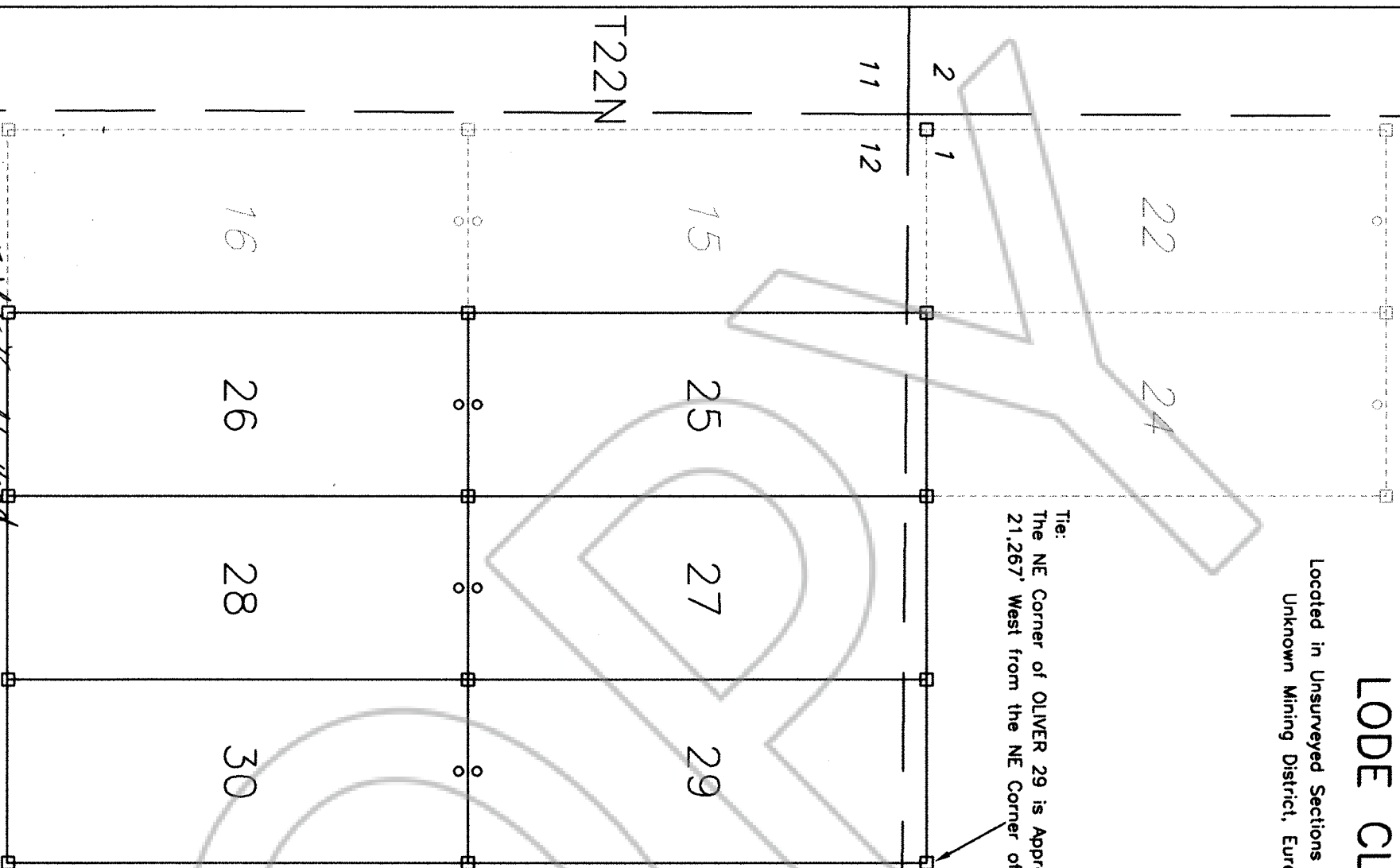


MAP OF THE OLIVER 25-30 LODE CLAIMS

Located in Unsurveyed Sections 1 & 12 of T22N, R50E
Unknown Mining District, Eureka County, Nevada

Tie:
The NE Corner of OLIVER 29 is Approximately 16,248' North and
21,267' West from the NE Corner of Section 30, T22N, R51E



FILED AT THE REQUEST OF White Knight Gold
OR July 19 20 02 at 4 mins past 3:30 P.M.
RECORDS OF EUREKA COUNTY, NEVADA M. N. REBALDANT, Recorder
File No 178371 Fee \$ 44.00

Locator
White Knight Gold (U.S.), Inc.
4790 Caughlin Parkway #137
Reno, NV 89509-0907

Location Date: 4/24/02
OLIVER 25-30
Corner Monumentation and Marking
Completed by 4/24/02

All Claims are 1500' long X 600' Wide
Location Monuments are Set-in 10' from End Lines
All Monuments are 1 1/2" X 1 1/2" Wooden Posts Marked with Metal Togs

