

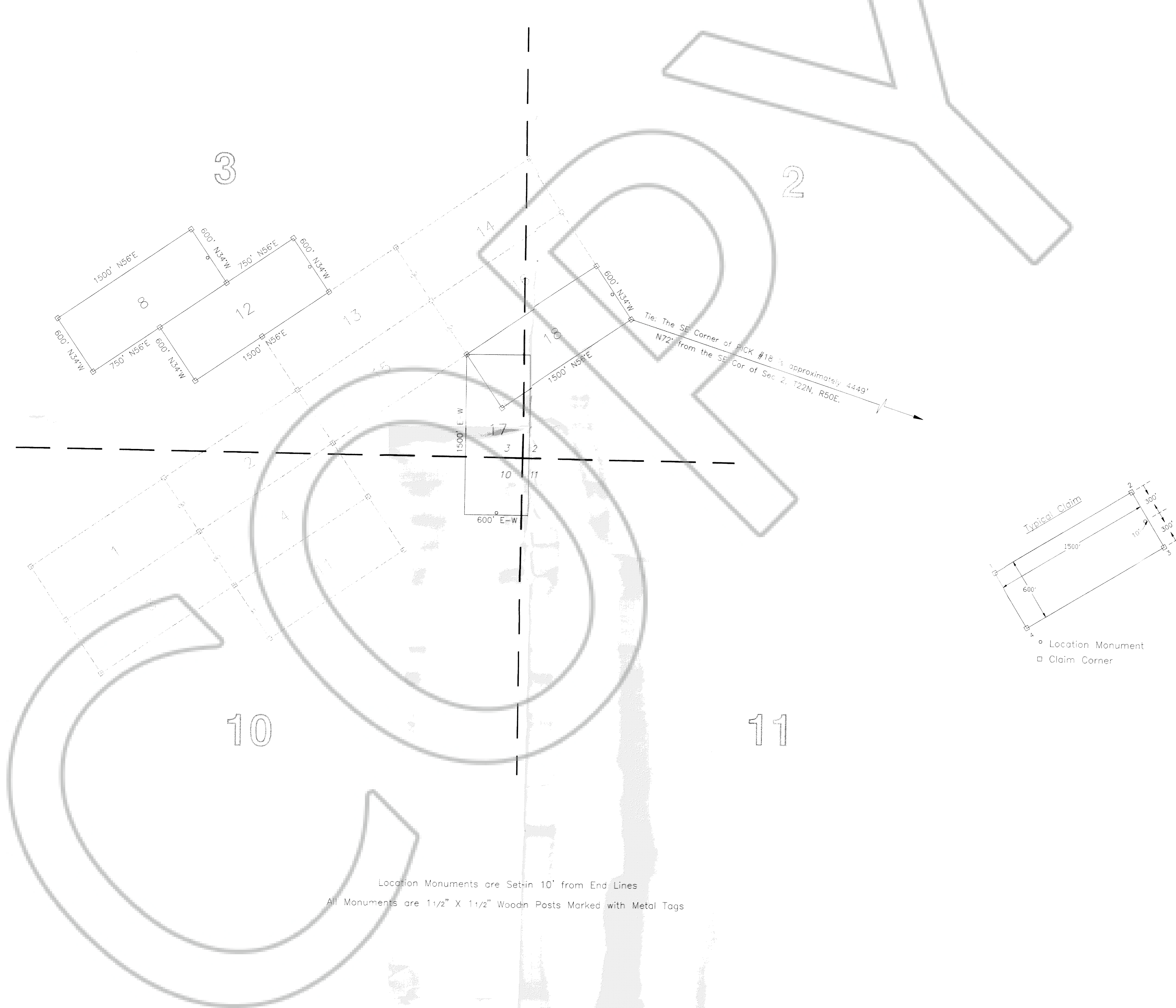
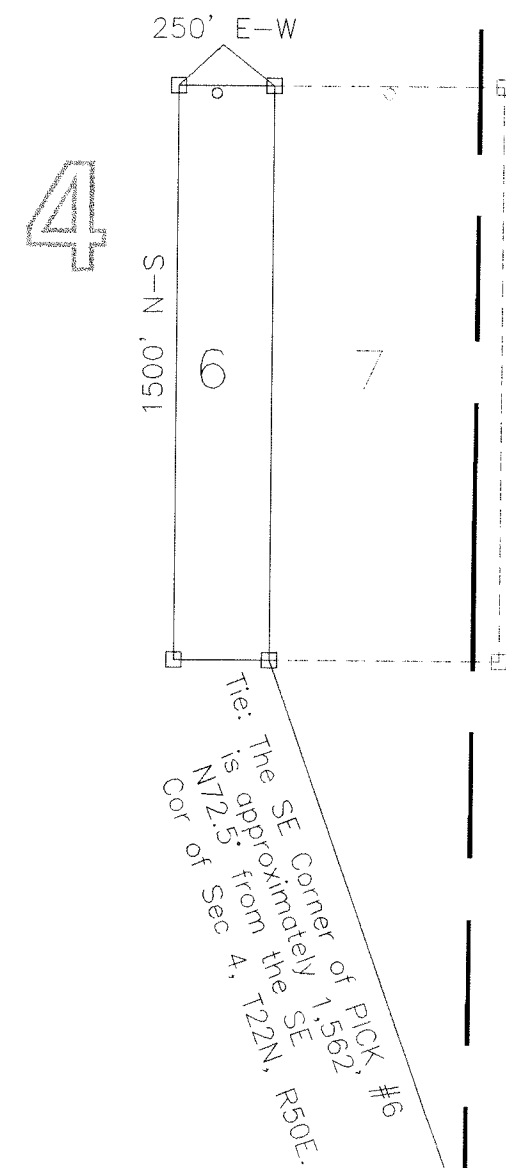
MAP OF THE PICK 6,8,12,17&18 LODE CLAIMS

Located in Unsurveyed Sections 2,3,4,10 & 11 of T22N, R50E
Unknown Mining District, Eureka County, Nevada



R50E

T22N



Locator
Quito Gold Corporation
c/o Richard W. Harris
6121 Lakeridge Drive, Suite 260
Reno, NV 89511

Location Dates:
Pick 6,8,17&18, 12 9/2/03

Location Monuments are Set in 10' from End Lines
All Monuments are 1 1/2" X 1 1/2" Wooden Posts Marked with Metal Tags

FILED AT THE REQUEST OF Quito Gold Corp
on Oct 8 2003 at 12 mins past 9 A.M.
RECORDS OF EUREKA COUNTY, NEVADA M. N. REBALEATI, Recorder
File No. 182849 Fee \$ 24.00

