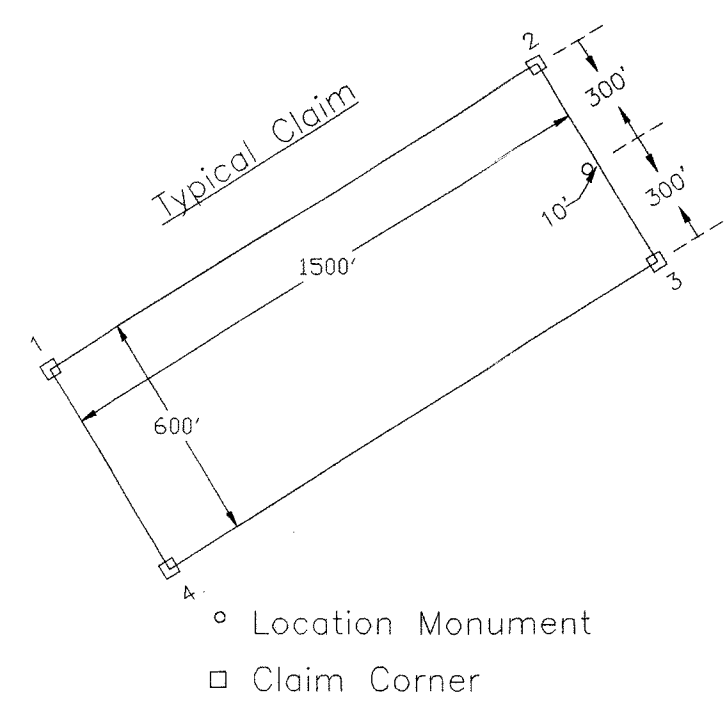
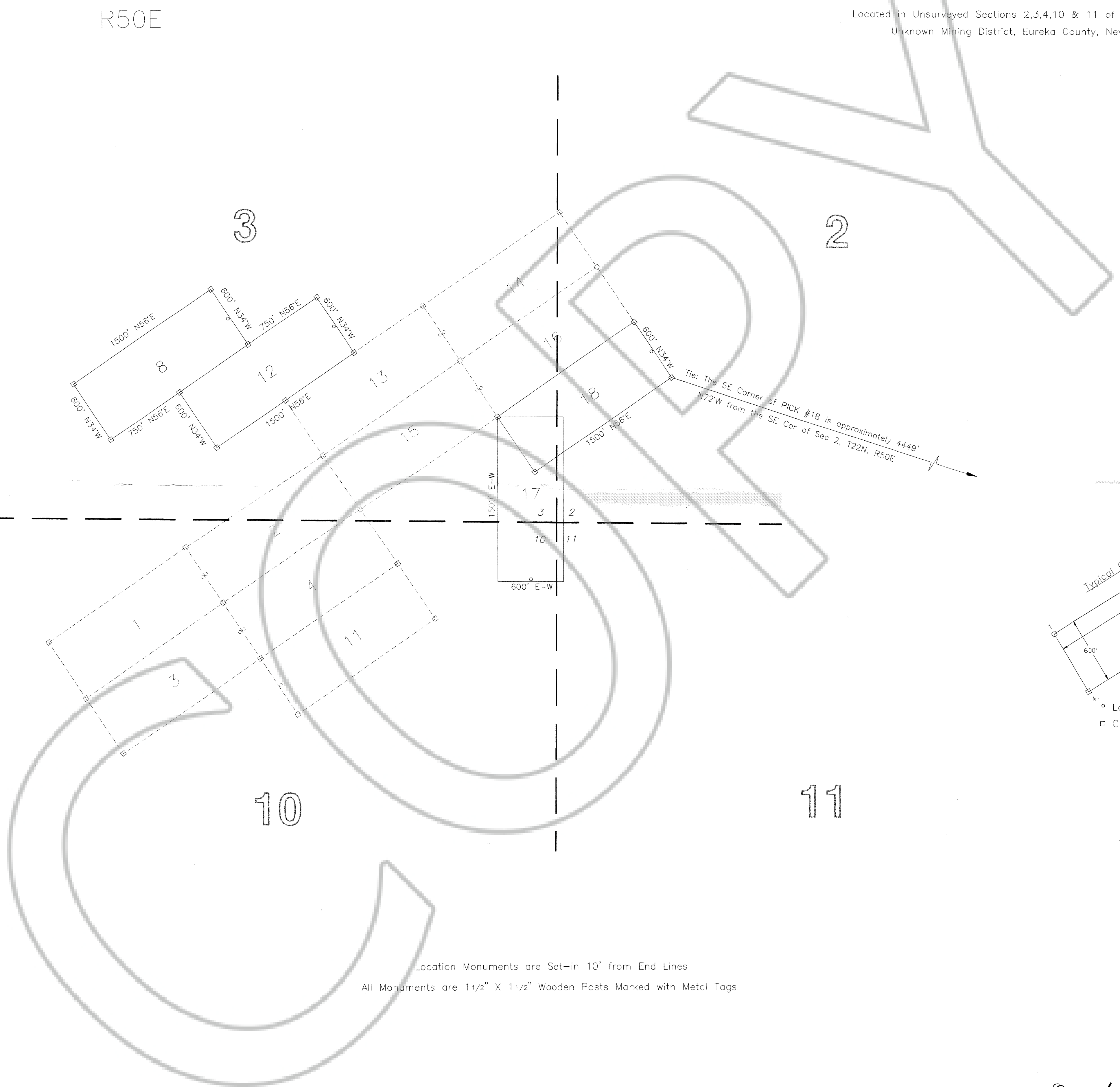
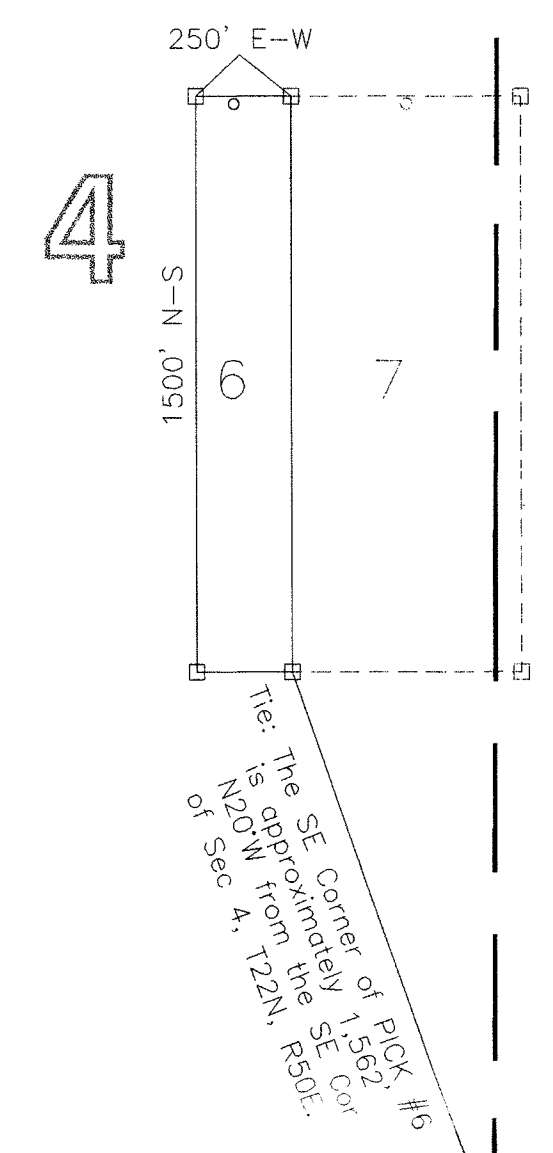


AMENDED MAP OF THE PICK 6,8,12,17&18 LODE CLAIMS

Located in Unsurveyed Sections 2,3,4,10 & 11 of T22N, R50E
Unknown Mining District, Eureka County, Nevada



T22N

R50E

Locator
Quito Gold Corporation
c/o Richard W. Harris
6121 Lakewood Drive, Suite 260
Reno, NV 89511

Location Dates:
Pick 6, 17&18 9/2/03

Location Monuments are Set-in 10' from End Lines
All Monuments are 1 1/2" X 1 1/2" Wooden Posts Marked with Metal Tags

Jan 15 04
38
RECORDS OF EUREKA COUNTY, NEVADA M. N. REBALEATI, Recorder
File No. 184932 Fee \$ 14.00

