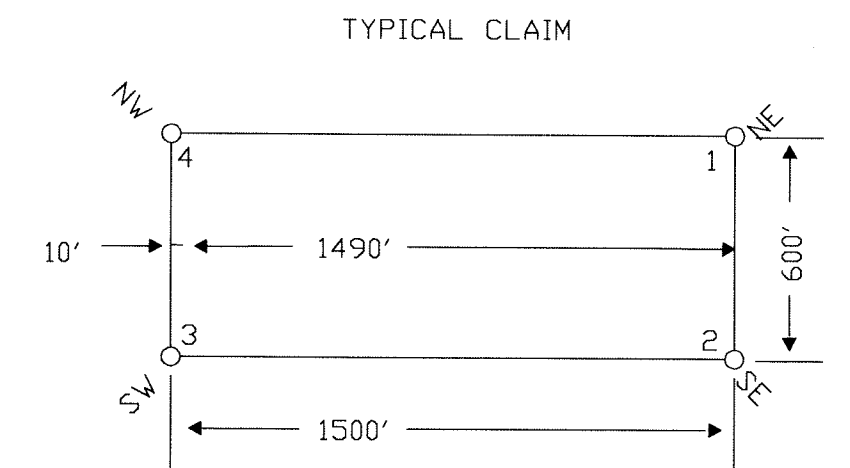
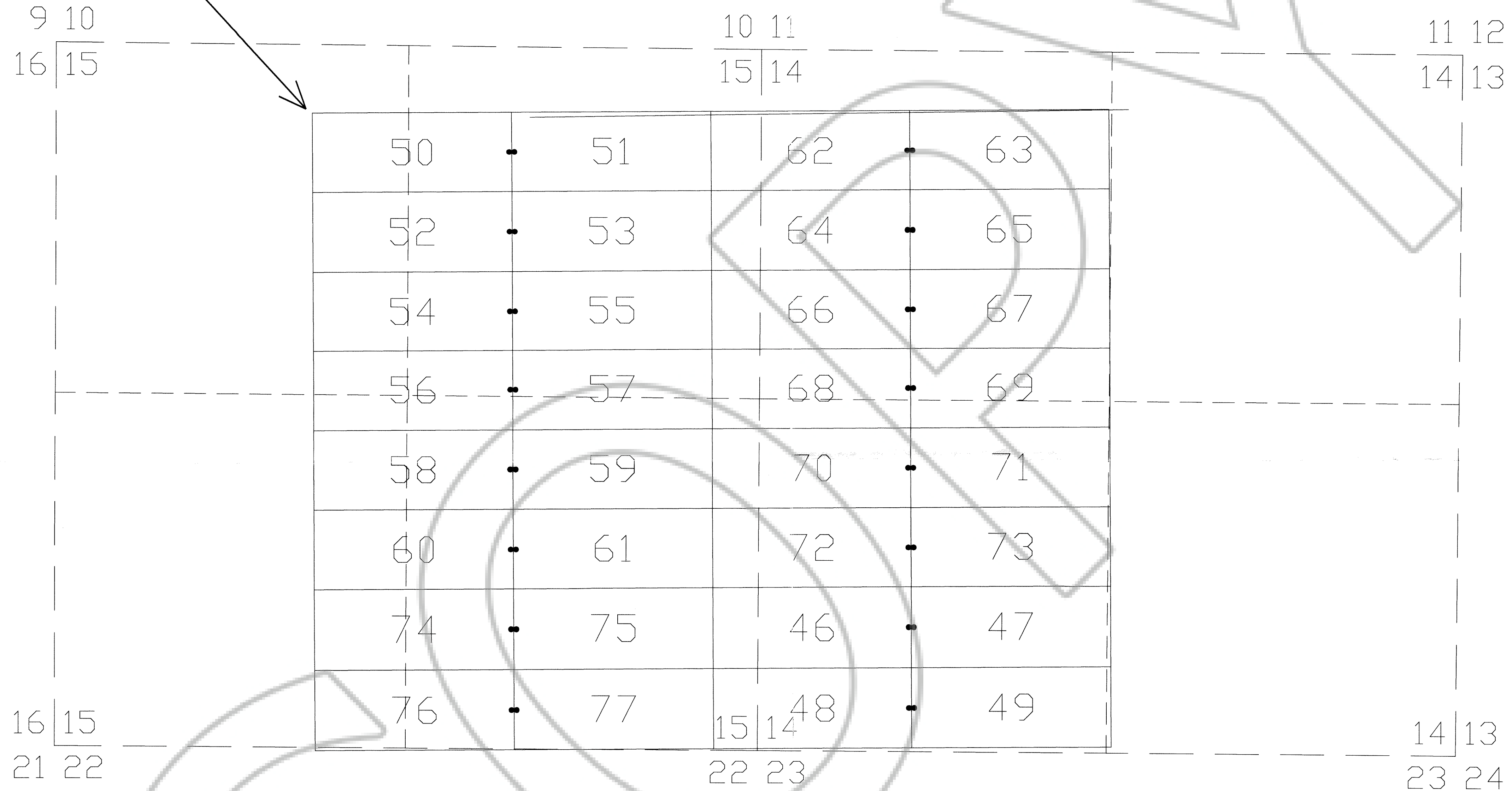
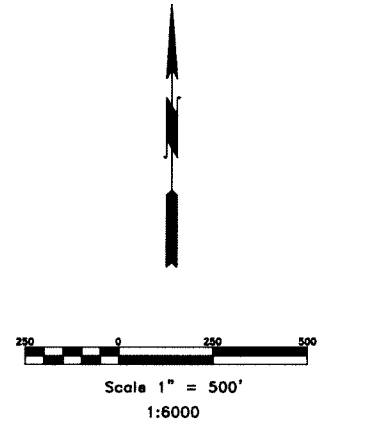


TIE POINT DATA:
 THE NORTHWEST CORNER OF JDS 50 LIES APPROXIMATELY
 1,928 FEET EAST AND 528 FEET SOUTH OF THE NORTHWEST
 CORNER OF SECTION 15, T.25N., R.50E., M.D.B.M.



LOCATION DATES:
 12/21/03 - JDS 50-63
 12/23/03 - JDS 64-73
 01/15/04 - JDS 46-49
 01/16/04 - JDS 74-77
 (32 Total Claims)

NOTES:
 LOCATION MONUMENTS SET 10' FROM CLAIM END
 CENTERLINES. ALL LOCATION MONUMENTS AND CLAIM
 POSTS ARE 2"x2"x4' WOODEN STAKES.

DASHED SECTION LINES INDICATE PROJECTED SECTIONS.

FILED AT THE REQUEST OF *Lincoln Gold Corp*
 on *Feb 20 2004* at *21* mins past *4:00* P.M.
 RECORDS OF EUREKA COUNTY, NEVADA M. N. REBALEATI, Recorder
 File No. **185495** Fee \$ *487.00*

	Locater: Lincoln Gold Corp. 101 Convention Center Dr., 7th Floor, Las Vegas, NV 89109 JDS Lode Claims T.25N., R.50E.; Eureka County, Nevada	
	DATE: February 2004 PLOT SCALE: 1" = 500'	DRAWN BY: <i>pm</i>

369 - 5th STREET
 PH: (775) 778-0668 ELKO, NV 89801 FAX: (775) 778-0667