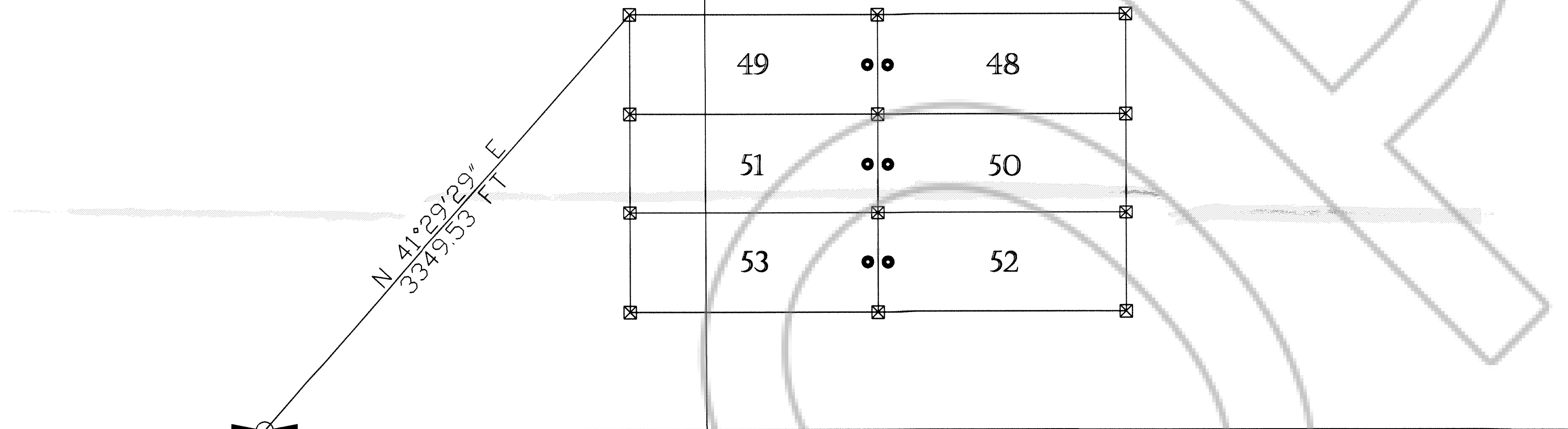
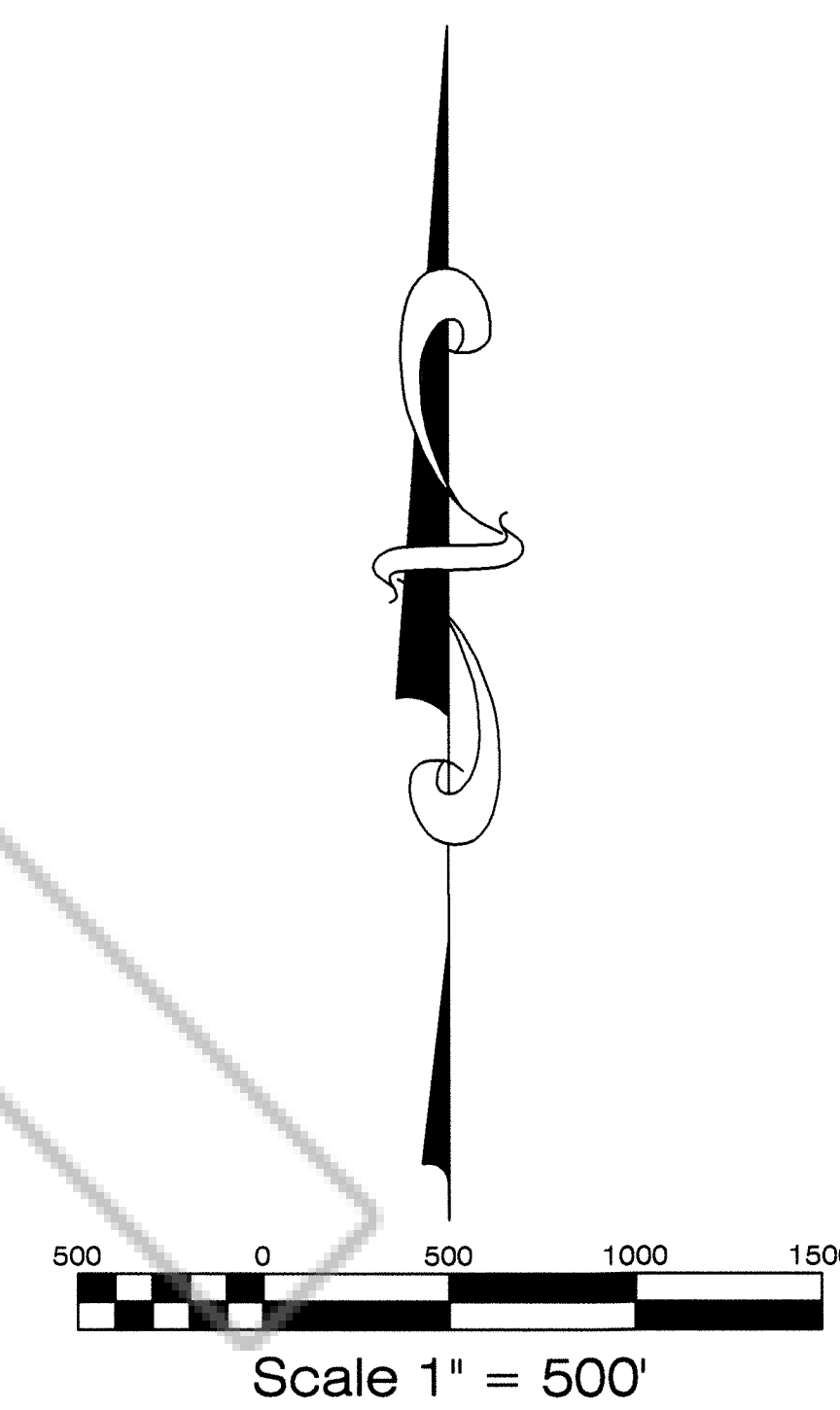


SECTION 28

SECTION 27



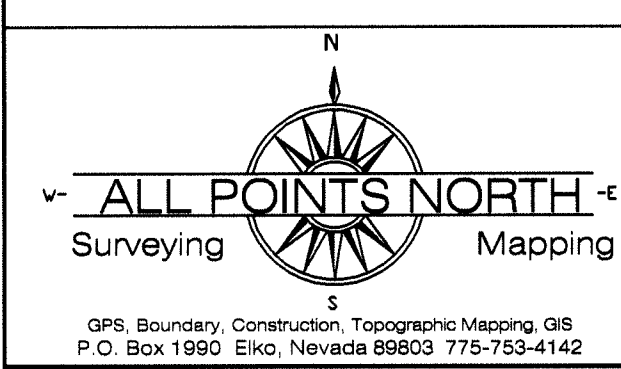
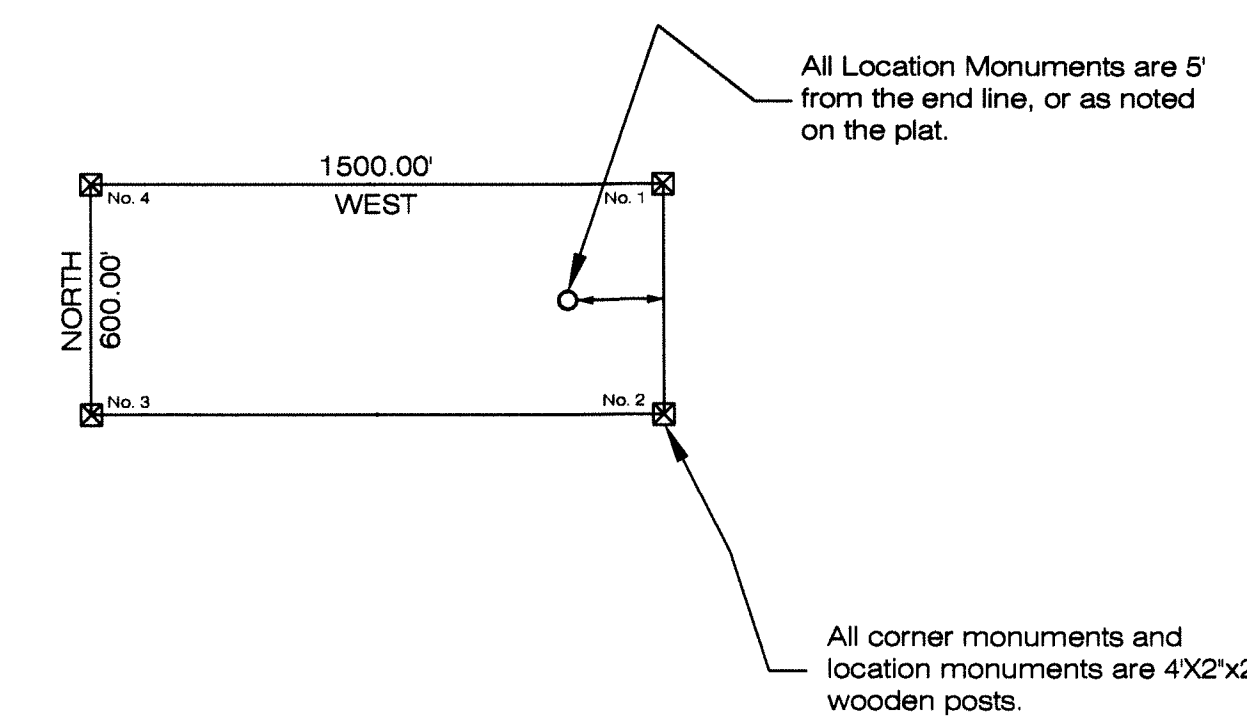
Found GLO Brass Cap, 1915,
for the One Quarter Corner common
to Sections 28, 33, T24N, R48E, MDM.



SURVEYOR'S CERTIFICATE

I, John D. Harmening, A Professional Land Surveyor (PLS 12082) Licensed in The State Of Nevada, certify that:

- 1) This plat represents the results of a survey conducted under my direct supervision at the instance of NEVADA PACIFIC GOLD (U.S.), INC., a Nevada Corporation (owner).
- 2) The mining claims surveyed lie within T24N, R48E, MDM, Sections 27, 28; and the survey was completed on March 20, 2004.
- 3) This plat complies with applicable statutes of this state and any local ordinances in effect on the date that the survey was completed, and the survey was conducted in accordance with Chapter 625 of the Nevada Administrative Code.
- 4) The monuments depicted on the plat are of the character shown, occupy the positions indicated and are of sufficient number and durability.



ALL POINTS NORTH
P.O. BOX 1990
ELKO, NEVADA 89803

Claims in T24N, R48E, MDM, sec 27, 28
Claims Located 01-15-03

Map Of:
CHS Lode Claims #48 - 53
Eureka County, Nevada

Located For:
Nevada Pacific Gold (US), Inc a Nevada Corp.
P.O. Box 548
Elko, Nevada 89803

FILED AT THE REQUEST OF Nevada Pacific Gold
ON April 9 2004 at 5:50 mins past 27 M.
RECORDS OF EUREKA COUNTY, NEVADA M. N. REBELEATI, Recorder
File No. 186307 Fee \$14.00