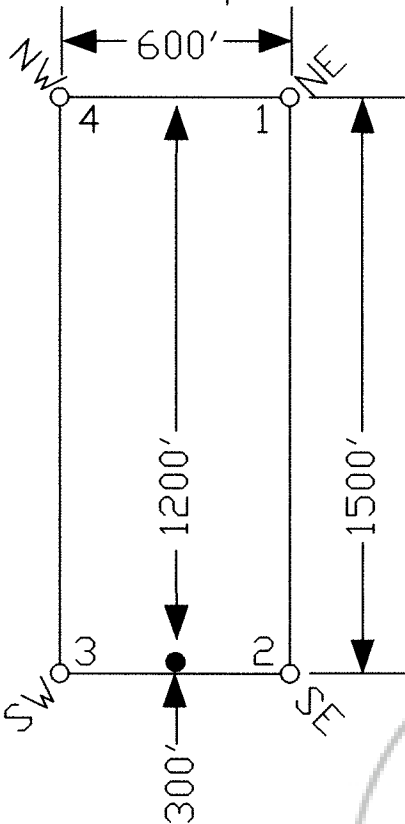
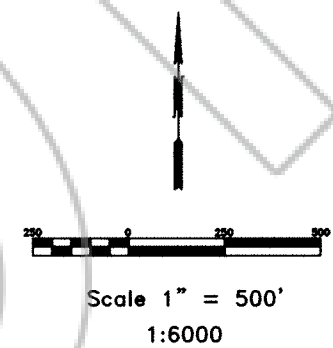


TIE POINT DATA:
 THE SOUTHEAST CORNER OF BG 18 LIES APPROXIMATELY
 141 FEET EAST AND 256 SOUTH OF THE SOUTHEAST
 CORNER OF SECTION 14, T.29N., R.48E., M.D.B.M.



TYPICAL CLAIM




Scale 1" = 500'
 1:6000

LOCATION DATES:
 August 14, 2004 - BG 10-18

NOTES:
 LOCATION MONUMENTS SET 300' FROM CLAIM END
 CENTERLINES. ALL LOCATION MONUMENTS AND CLAIM
 POSTS ARE 2"x2"x4' WOODEN STAKES.

FILED AT THE REQUEST OF *Montezuma Mines*
 on *Aug 25 20 04*, at *26* mins. past *3 P.M.*
 RECORDS OF EUREKA COUNTY, NEVADA M. N. REBALEATI, Recorder
 File No. **191695** Fee \$ *139.00*

 Eureka County <small>NEVADA</small>	Location: Montezuma Mines Inc. 559 W. Silver Street, Ste. 301, Elko, NV 89801 BG 10-18 Lode Claims T.29N., R.48E.; Eureka County, Nevada
	DATE: August 2004
<small>369 - 5th STREET ELKO, NV 89801 PH: (775) 778-0668 FAX: (775) 778-0607</small>	<small>RECORDS & PERMITS DIVISION 500 N. MAIN STREET ELKO, NV 89801 PH: (775) 778-0607 FAX: (775) 778-0607</small>