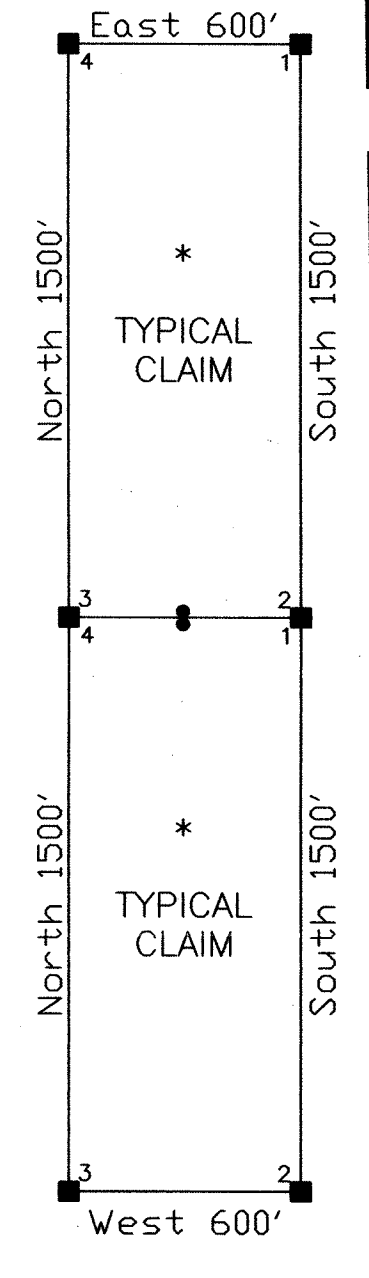


ALL CLAIMS ARE 1500 FEET LONG BY 600 FEET WIDE UNLESS NOTED OTHERWISE

LOCATION MONUMENTS ARE SET ON THE CENTERLINE OF EACH CLAIM, 10 FEET FROM THE NEAR ENDLINE, AND 1490 FEET FROM THE OPPOSITE ENDLINE, UNLESS NOTED OTHERWISE

ALL MONUMENTS ARE 2"x2"x4' WOODEN POSTS



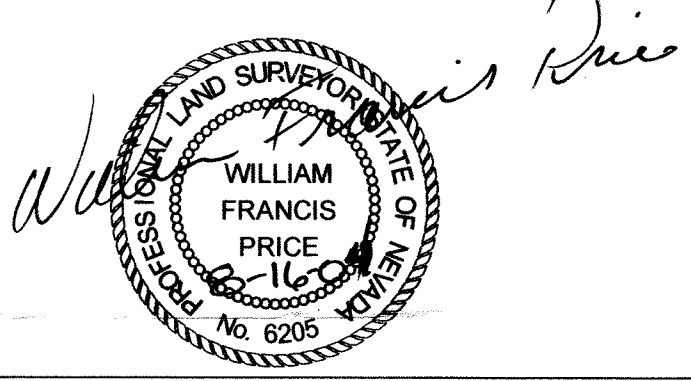
SURVEYOR'S STATEMENT:

I, WILLIAM FRANCIS PRICE, NEVADA PROFESSIONAL LAND SURVEYOR NO. 6205, HEREBY STATE:

1) THAT THIS MAP, CONSISTING OF TWO SHEETS, CORRECTLY REPRESENTS A SURVEY MADE BY ME BETWEEN JULY 27, 2004 AND AUGUST 7, 2004 AT THE REQUEST OF NEVADA SUPERIOR INC.;

2) THAT THE MONUMENTS ARE OF A CHARACTER AND OCCUPY THE POSITIONS INDICATED; AND

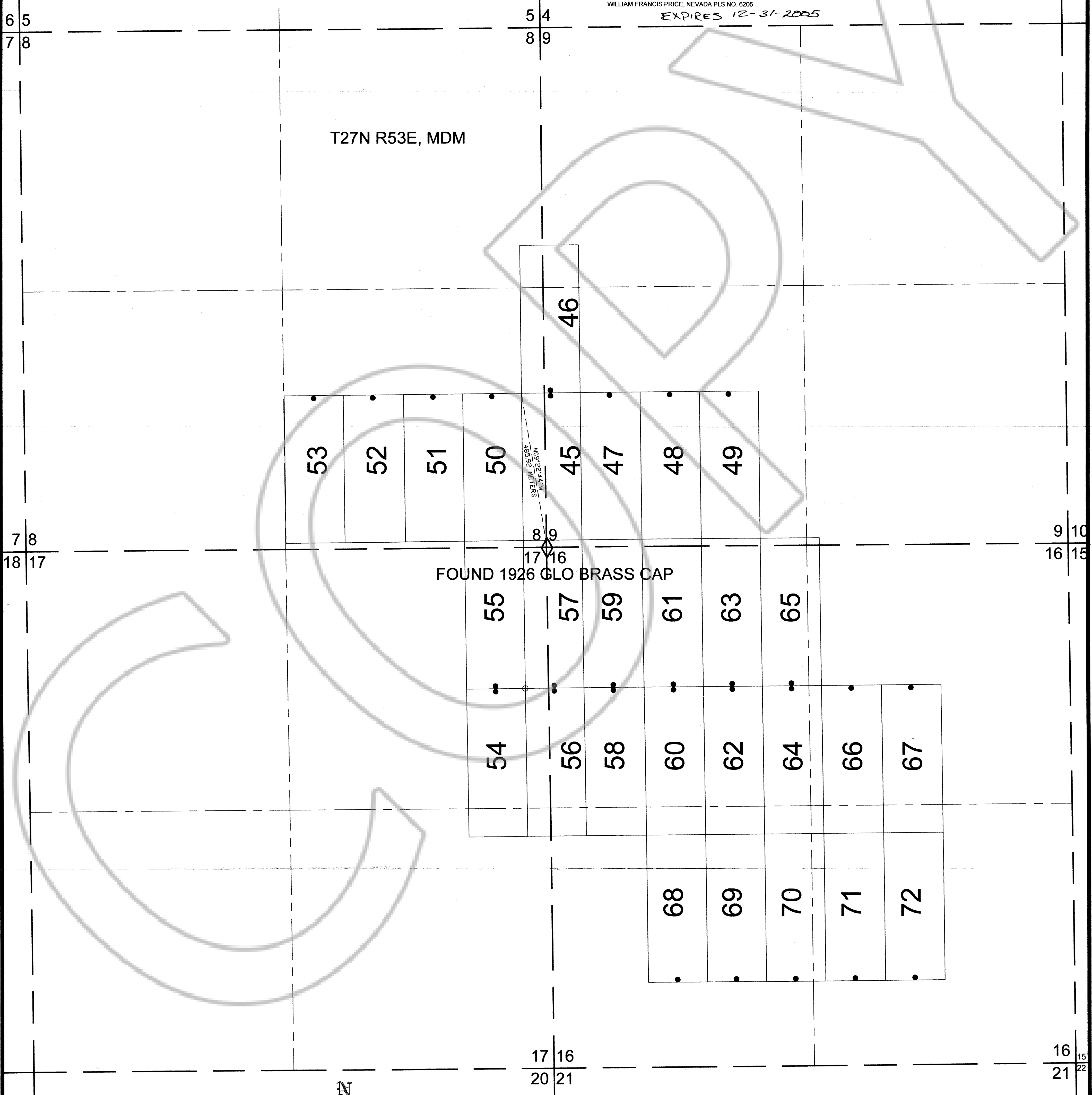
3) THAT THE SECTION LINES AND QUARTER SECTION LINES ON THIS MAP WERE PROJECTED USING U.S. DEPARTMENT OF INTERIOR'S GEOGRAPHIC COORDINATE DATA BASE (GCODB).



SURVEYOR: WILLIAM FRANCIS PRICE, NEVADA PLS NO. 6205
EXPIRES 12-31-2005

MATCH TO OTHER SHEET

T27N R53E, MDM



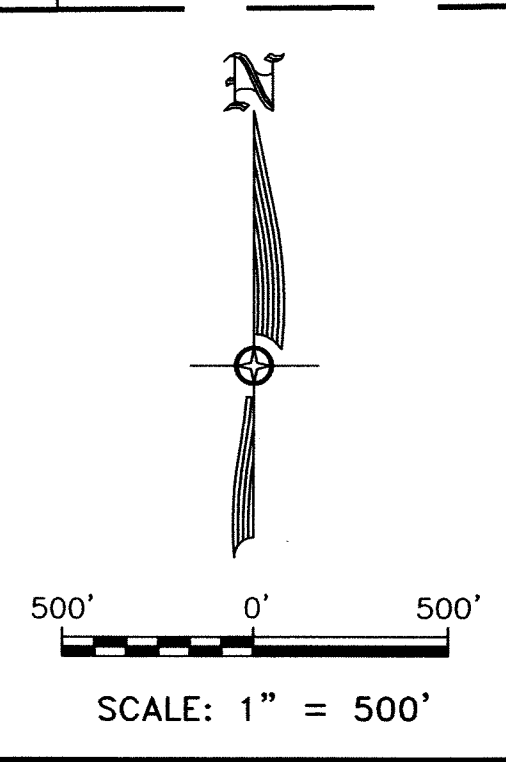
FOUND 1926 GLO BRASS CAP

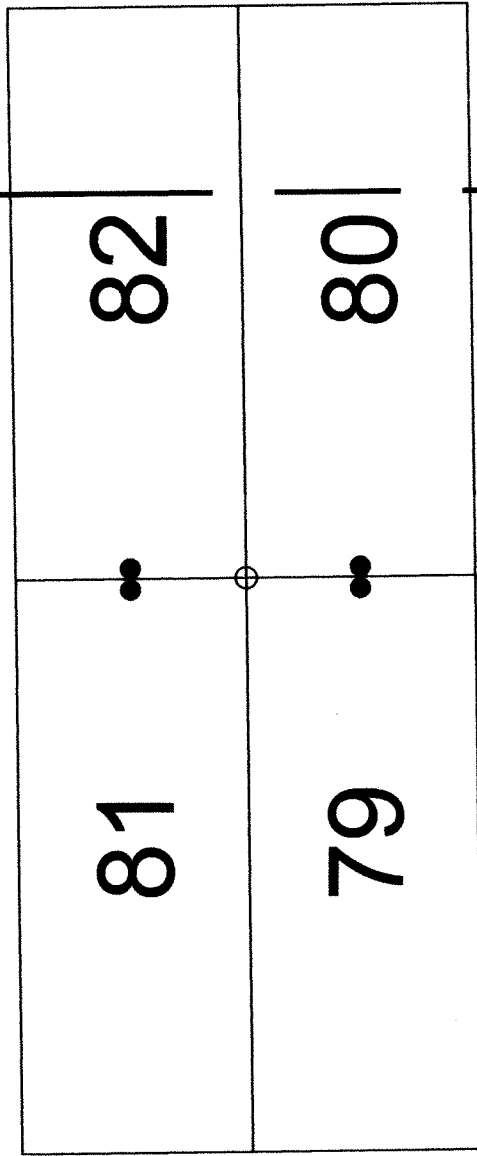
RECORDER'S STAMP

Map
L 45 - 86
LODE MINING CLAIMS
SECTIONS 5, 8, 9, 16 & 17, T27N R53E, MDM
SECTIONS 30, 31, & 32, T28N, R53E, MDM
EUREKA COUNTY, NEVADA
By NEVADA SUPERIOR INC.

FILED AT THE REQUEST OF Nevada Superior Inc. on Aug 27, 2004 at 5:55 mins. past 2 P.M. RECORDS OF EUREKA COUNTY, NEVADA M. N. REBALEATI, Recorder File No. 191741 Fee \$ 634.00

SHEET 1 OF 2 SHEETS





30 29
31 32

N85°19'34"N
1592.12 METERS

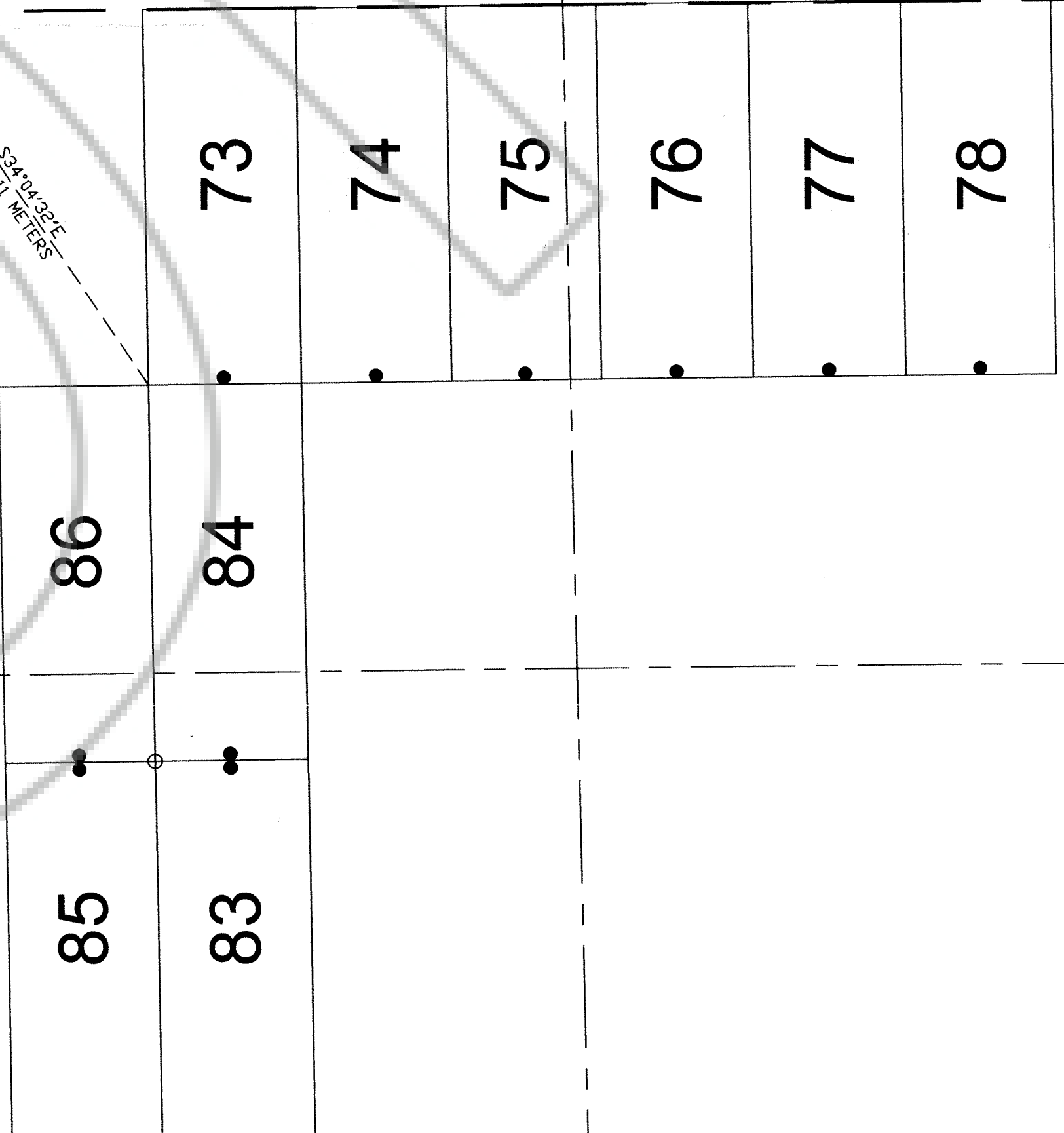
T28N R53E, MDM
T27N R53E, MDM

31 32
6 5

32 33
5 4

FOUND 1926 GLO BRASS CAP

S31°04'32"E
546.67 METERS

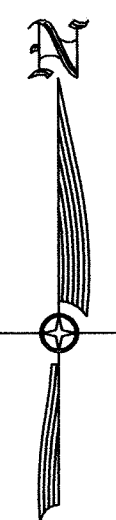


MATCH TO OTHER SHEET

6 5
7 8

5 4
8 9

T27N R53E, MDM



500' 0' 500'
SCALE: 1" = 500'

RECORDER'S STAMP

Map
L 45 - 86
LODE MINING CLAIMS
SECTIONS 5, 8, 9, 16 & 17, T27N R53E, MDM
SECTIONS 30, 31, & 32, T28N, R53E, MDM
EUREKA COUNTY, NEVADA
By **NEVADA SUPERIOR INC.**

SHEET 2 OF 2 SHEETS

191741 20,2