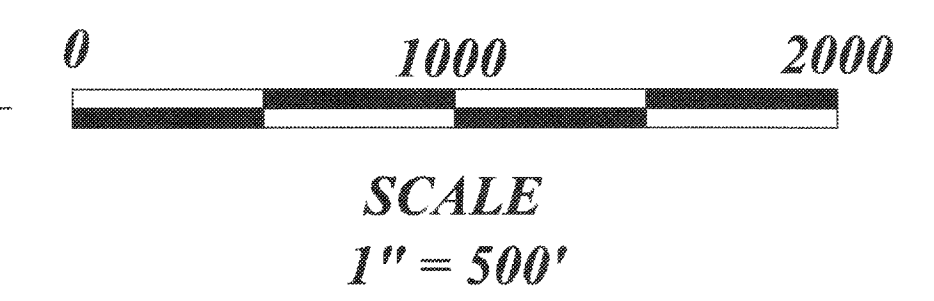
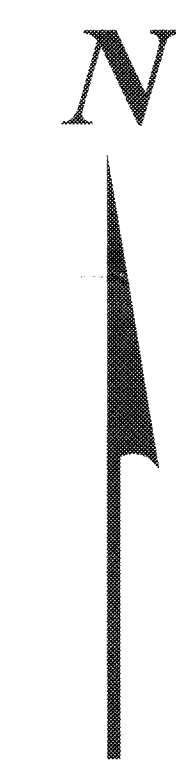
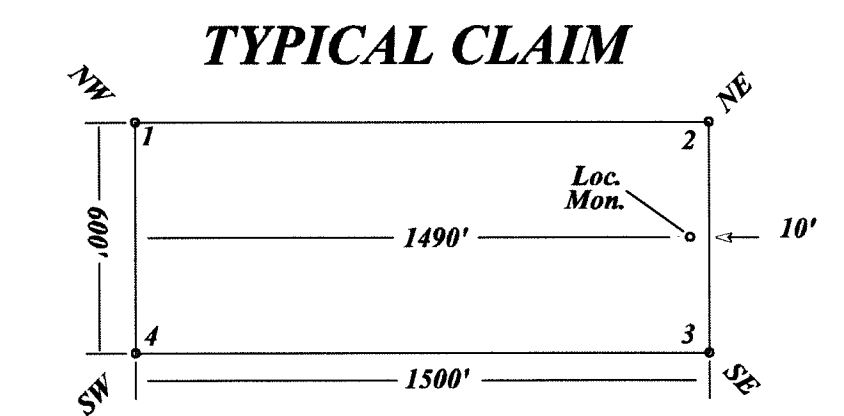
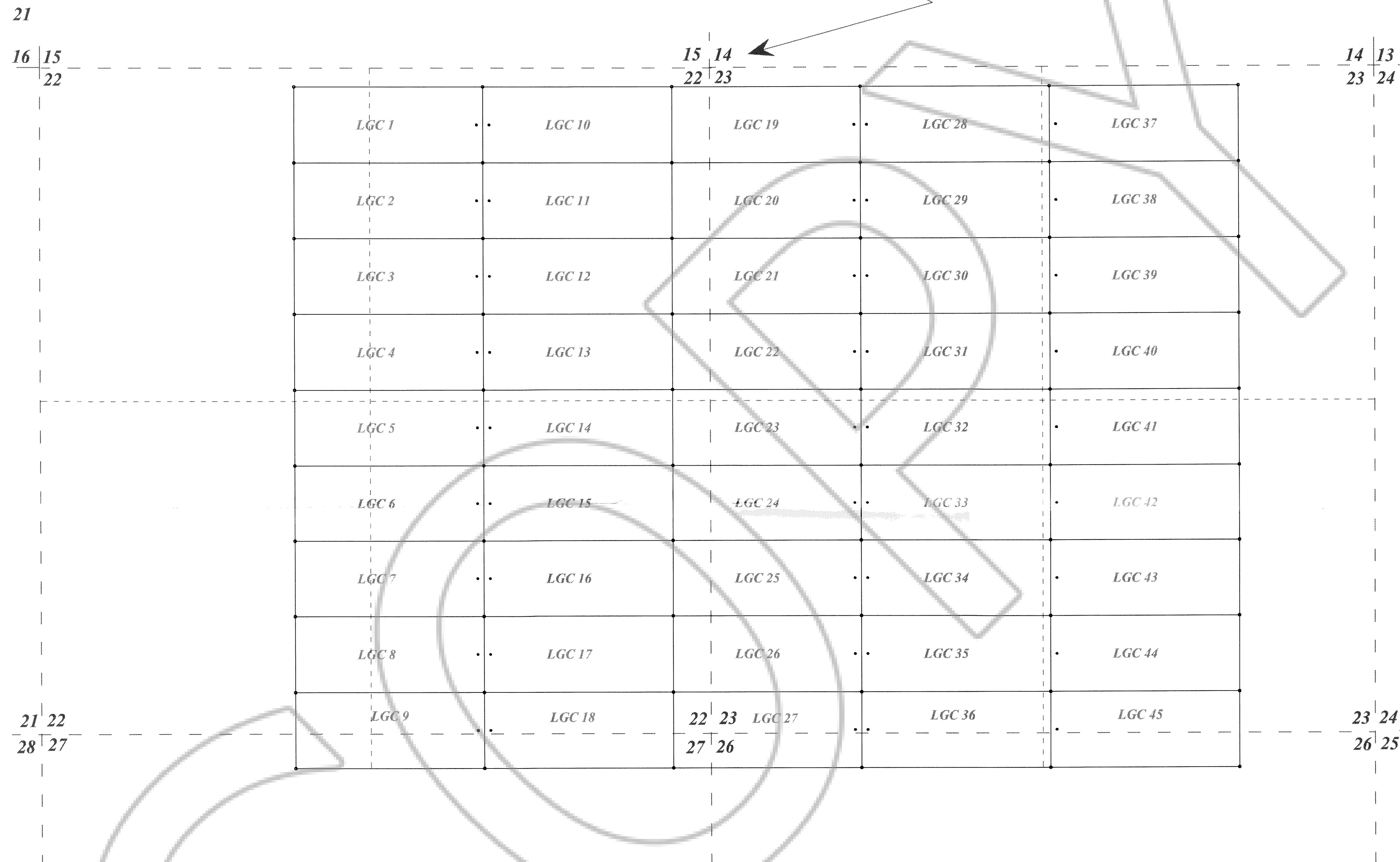


TIE POINT DATA:

The NW Corner of LGC 19 lies approximately
335 feet West and 150 feet South of the SE Corner
of Section 15, T.25N, R.50E., MDBM



NOTES:
Location Monuments are set in ten (10) feet from edge of claim along centerline.
All Location Monuments and Claim Corners are 2" X 2" X 4" wooden stakes marked with aluminum tags.
Projected Section lines and quarter-section lines are dashed.

Location Dates
September 3, 2004 - LGC 1 - 45

Locator: Lincoln Gold Corp. 325 Tahoe Dr., Carson City, NV 89701	
LGC Lode Claims	
T. 25 N., R. 50 E. MDBM - Eureka Co., Nevada	
<small>File: NEVADA\Lincoln Gold\JDSLMC Claims.dwg</small>	<small>Plot Scale: 1" = 500'</small>
<small>Drawn By: DR Wood</small>	<small>Date: September 8, 2004</small>

FILED AT THE REQUEST OF Lincoln Gold Corp
on Oct 29 2004 at 3:02 mins past 8 P.M.
RECORDS OF EUREKA COUNTY, NEVADA M. N. REBALEATI, Recorder
File No. 194050 Fee \$ 679.00