

10 11
15 14

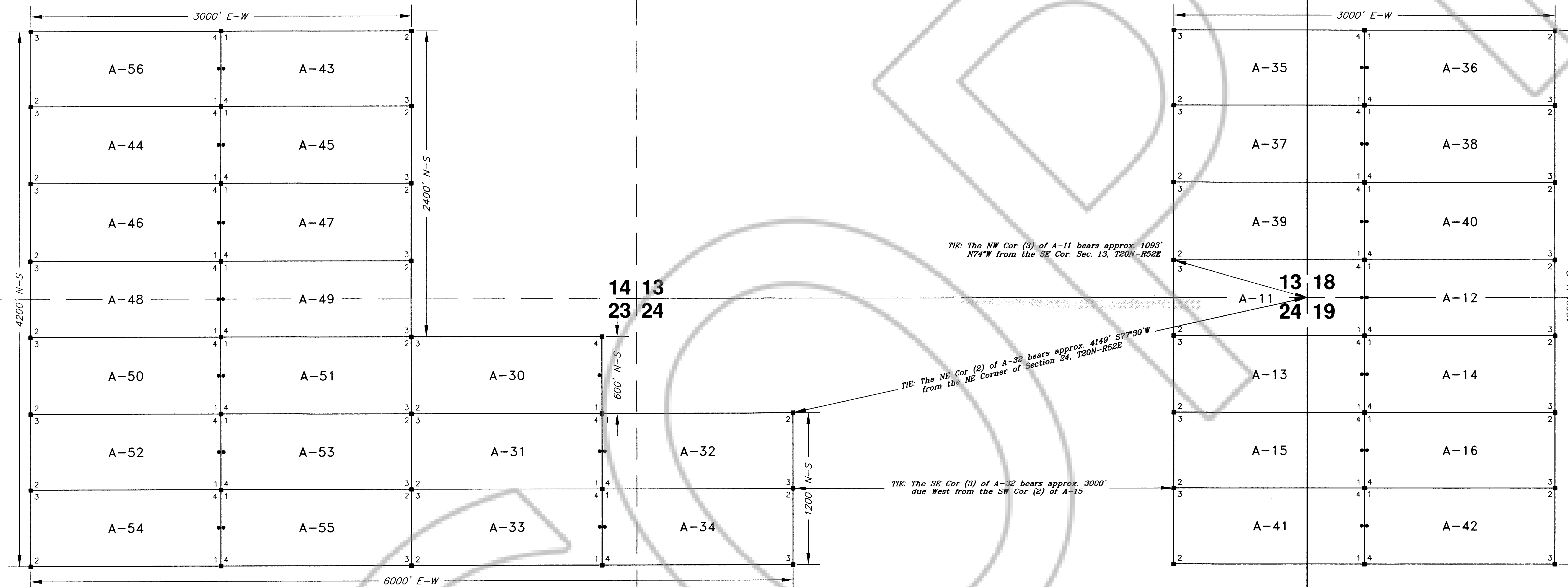
11 12
14 13

12 7
13 18

15 14
22 23

14 13
23 24

13 18
24 19



EXPLANATION

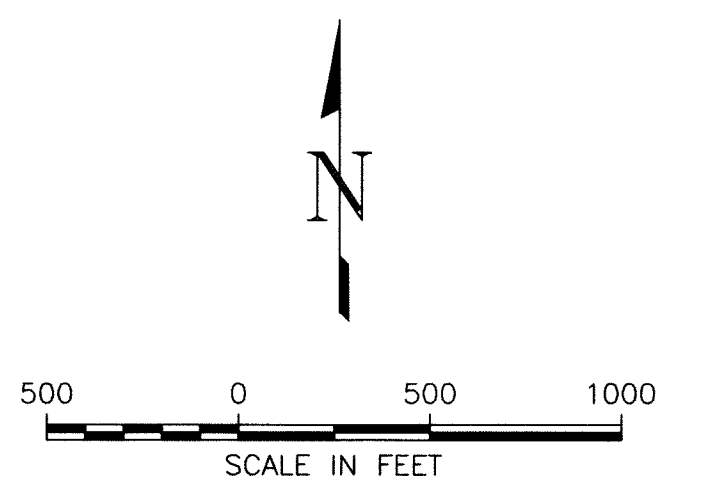
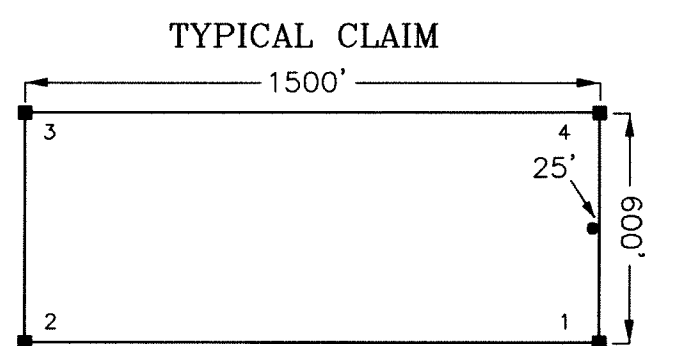
- Monuments of Location are set with 2"x2"x4' wood posts.
 - Claim corners are set with 2"x2"x4' wood posts.
- All claims measure 600' x 1500'.
- Monuments of Location are set 25' into claim.
- LOCATION DATES:
- | | |
|-------------------|--------------------|
| A-11 through A-16 | September 29, 2005 |
| A-30 through A-45 | September 29, 2005 |
| A-56 | September 29, 2005 |
| A-46 through A-55 | September 30, 2005 |
- LOCATOR:
- Nevada Eagle Resources, LLC
P. O. Box 18127
Reno, NV 89511

TIES:

The NW Corner (3) of A-11 bears approximately 1093' N74°W from the SE Corner of Section 13, T20N-R52E,

The SE Corner (3) of A-32 bears approximately 3000' due West from the SW Corner (2) of A-15

The NE Corner (2) of A-32 bears approximately 4149' S77°30'W from the NE Corner of Section 24, T20N-R52E



R 52 E
R 53 E

FILED AT THE REQUEST OF *Nevada Eagle Resources*
11/21/2005 at 3:17 pm, page 8 of 11
BOOKS OF EUREKA COUNTY, NEVADA
11N RECORDED
FILE NO. 201650 Fee \$ 499.00

A-11 through A-16 and A-30 through A-56 Lode Mining Claims

Secs. 13, 14, 23 and 24, T20N-R52E and Secs. 18 and 19, T20N-R53E, M.D.B.&M. Eureka County, Nevada

Drawn By: JAT
Drawing: A11-A56Clms.DWG
Layout: 500plot

Date: October 13, 2005