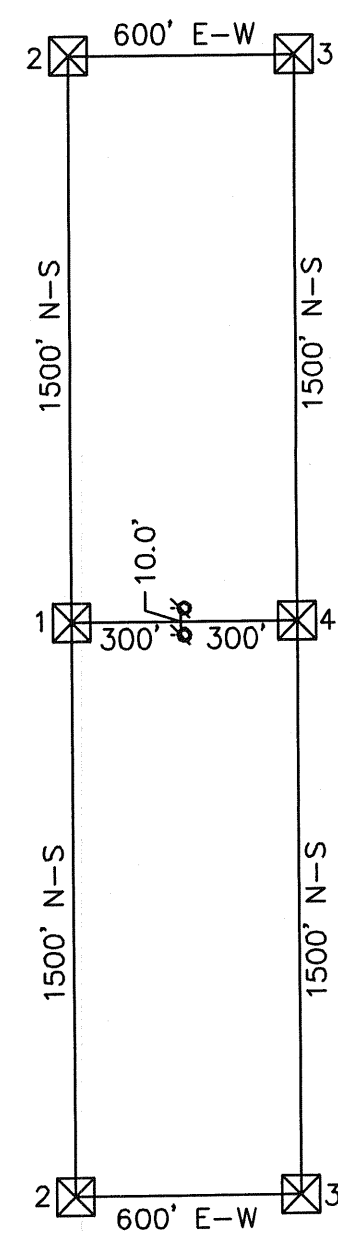


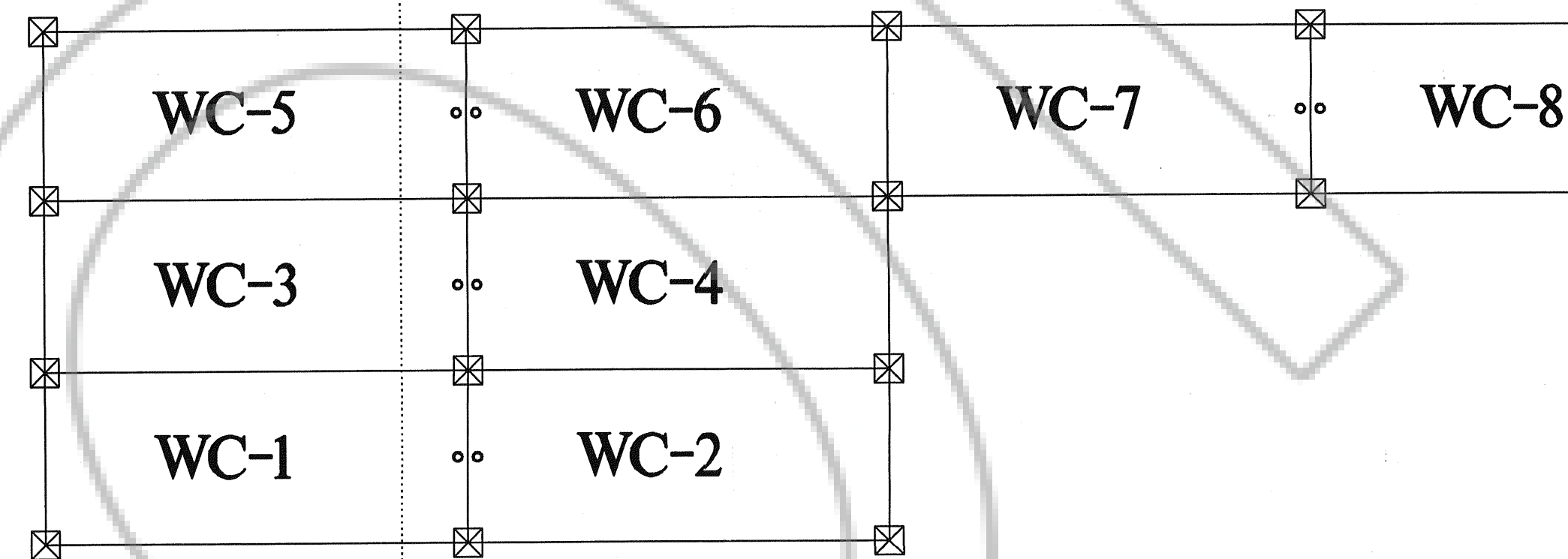
**WC CLAIMS 1-14
EUREKA COUNTY,
NEVADA
SECTIONS 15, 22, 27
T17N, R48E
(UNSURVEYED SECTIONS)**

TYPICAL CLAIM



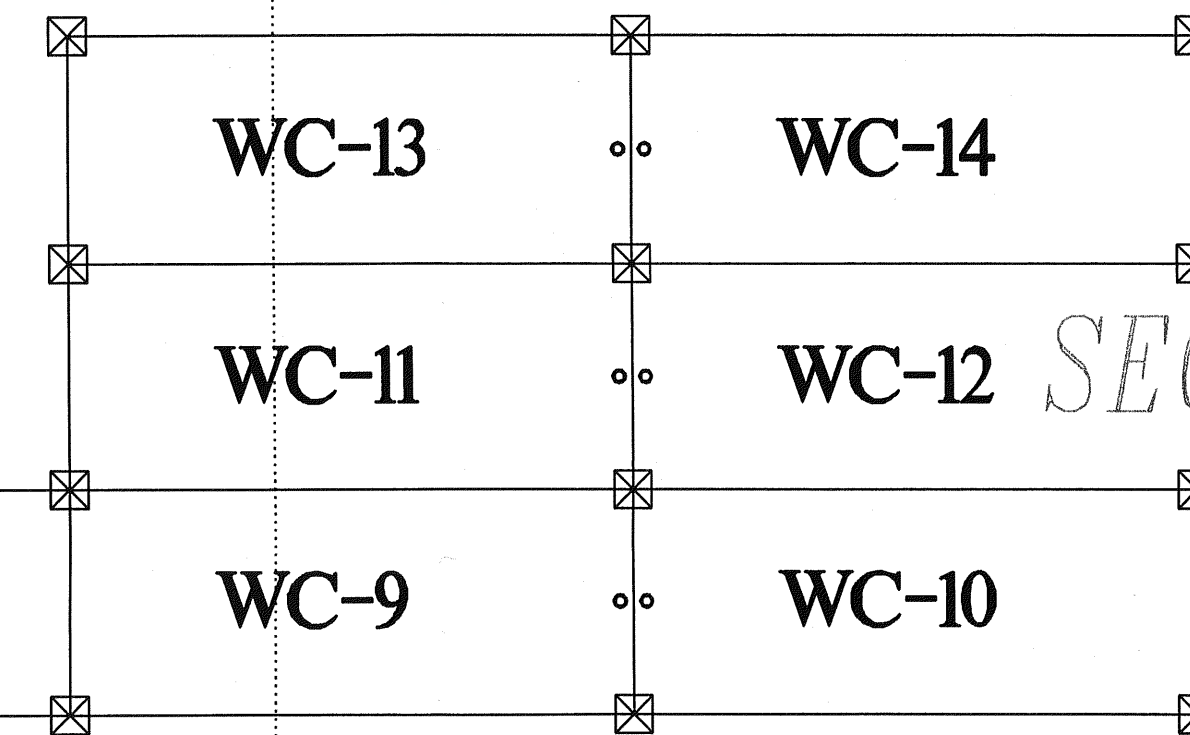
SECTION 15

SECTION 22



SECTION 26

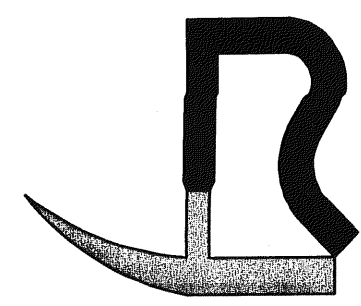
SECTION 27



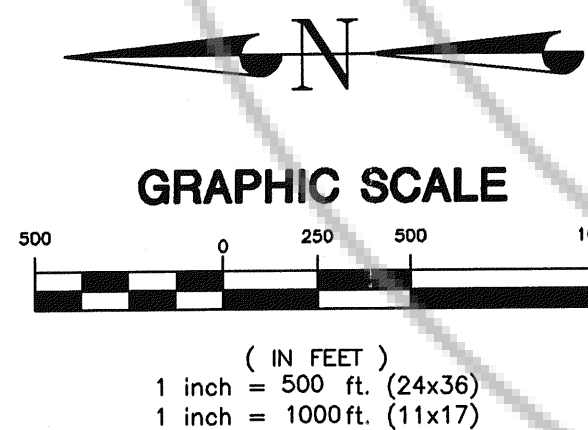
TIE POINT DATA:
THE SOUTHWEST CORNER OF CLAIM
WC-10 IS NORTH 14°28'38" EAST
8373 FEET FROM THE NORTHWEST
CORNER OF SECTION 3, T16N, R48E.
FOUND NORTHWEST CORNER
OF SECTION 3, TOWNSHIP 16
NORTH, RANGE 48 EAST.

NOTES:
ALL CLAIMS ARE 1500' X 600'.
ALL CLAIMS WERE LOCATED ON SEPTEMBER 3, 2007.
LOCATION MONUMENTS SET 5' FROM CLAIM END CENTERLINES.
ALL MONUMENTS ARE 2" X 2" X 4' WOODEN POSTS WITH METAL TAGS.
SECTION LINES ARE APPROXIMATE. THEY ARE DERIVED FROM THE U.S.G.S.
7.5 MINUTE SERIES TOPOGRAPHIC MAPS.

PREPARED BY:



J.R. EXPLORATION
9078 JORDAN OAKS DRIVE
SANDY, UT 84070



DOC # 0211278

11/29/2007 10:59 AM
Official Record
Recording requested by
JR EXPLORATION LLC
Eureka County - NV
Mike Rebeleati - Recorder
Fee: \$214.00 Page 1 of
SPT# Recorded By: FES
Book- Page- 0000



SECTION 16

SECTION 21

SECTION 28