

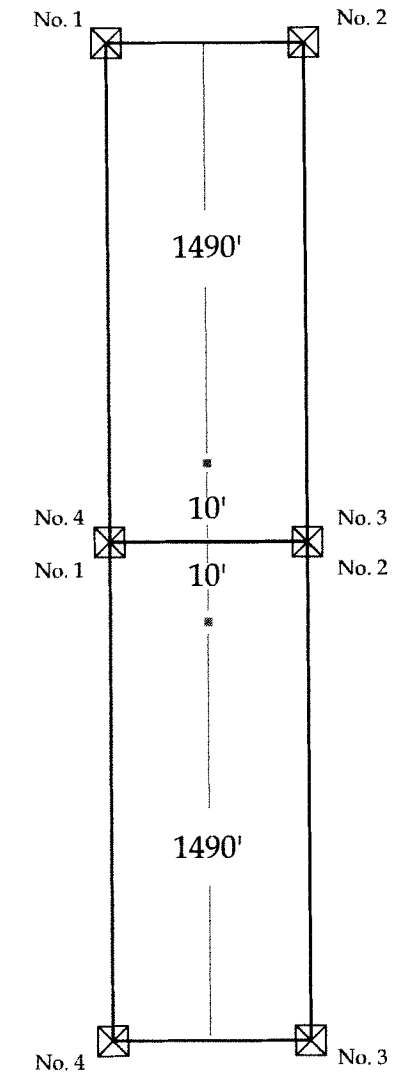
CLAIM MAP
TAZ Claims

- ☒ Claim corner: 2X2 wood post with metal tag
- Location Monument: 2X2 wood post with metal tag and location notice

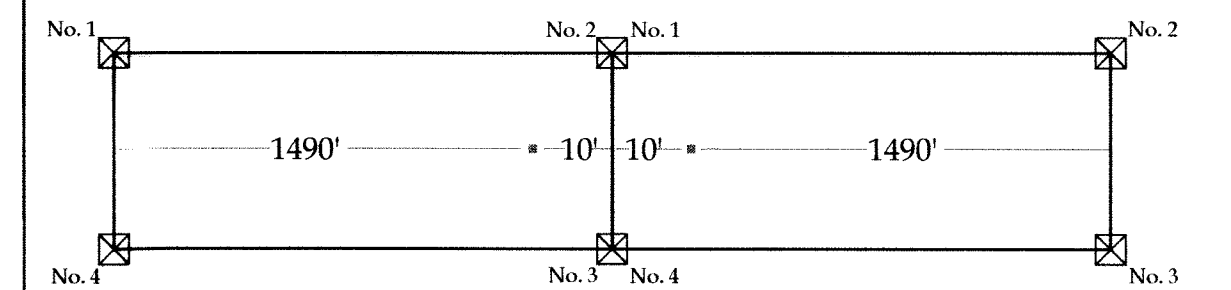
All claims are 1500' x 600'

Discovery Monuments for the TAZ claims are located at 10' off the end of the line, unless otherwise shown.

- No. 1: Northwest Corner
- No. 2: Northeast Corner
- No. 3: Southeast Corner
- No. 4: Southwest Corner



- No. 1: Northwest Corner
- No. 2: Northeast Corner
- No. 3: Southeast Corner
- No. 4: Southwest Corner

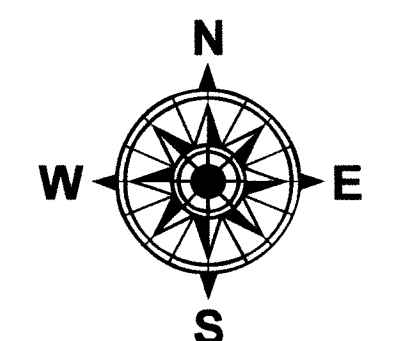


Miranda U.S.A., Inc.
Claim Map
TAZ Claims

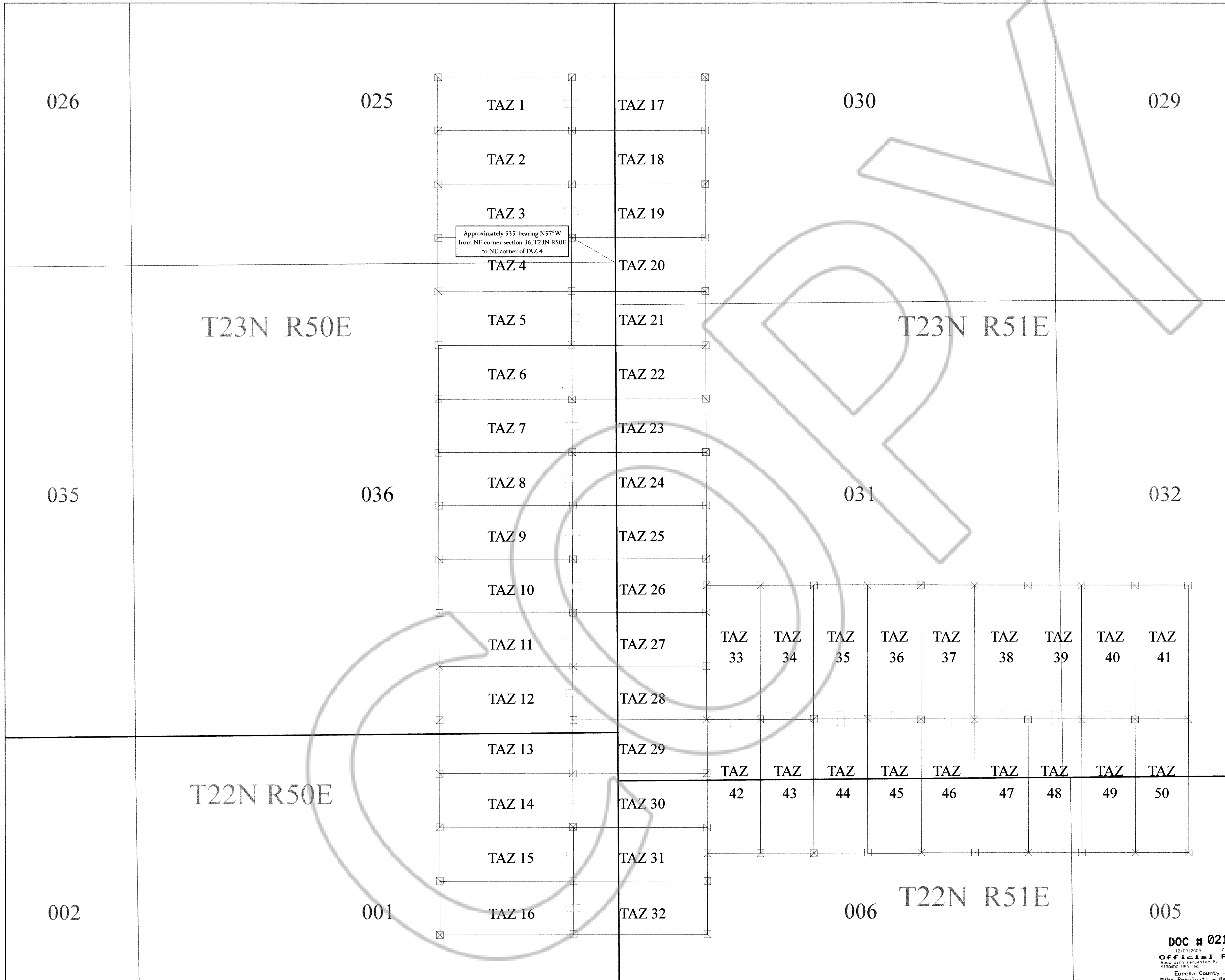
Nos. 1-50

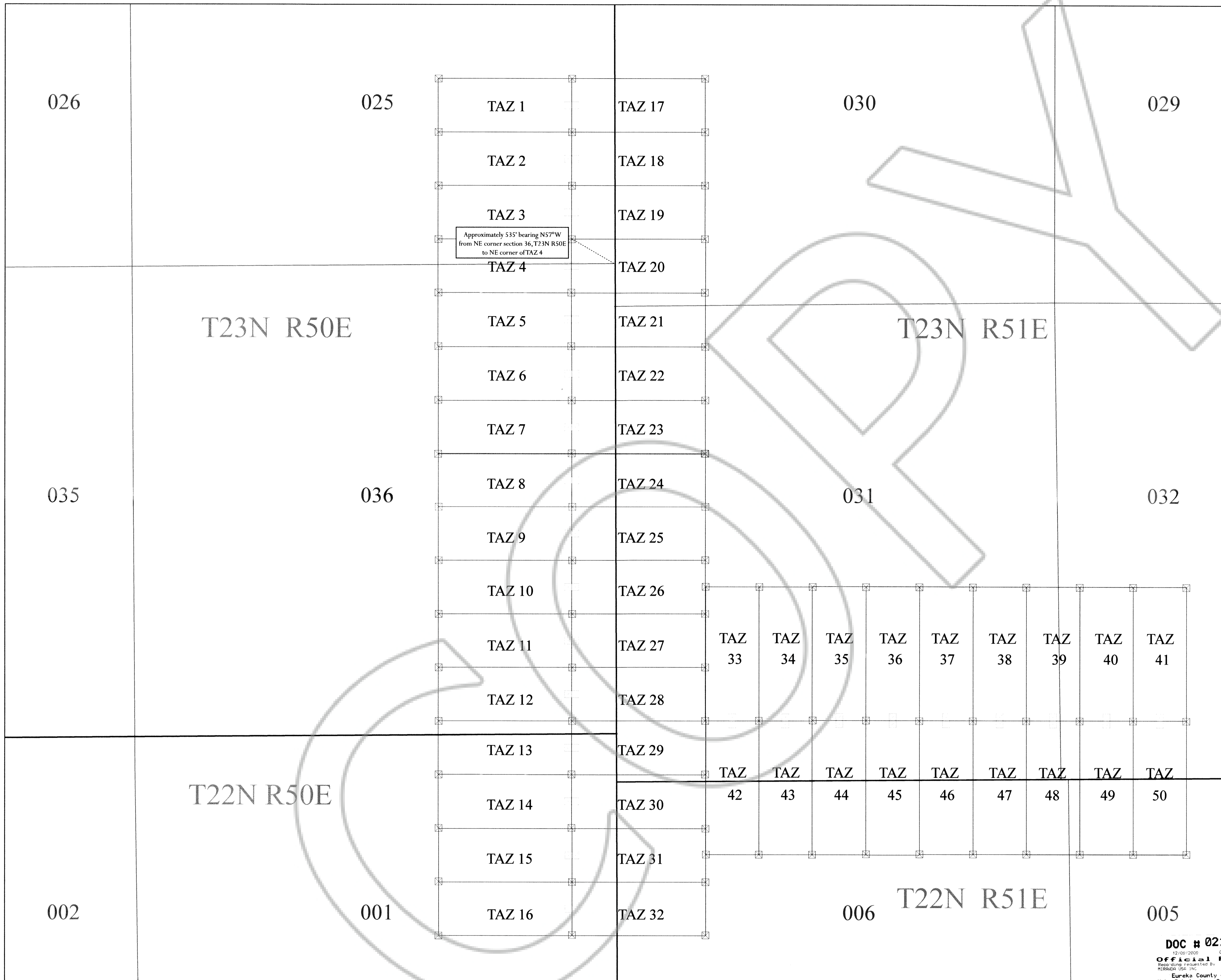
TAZ Nos. 1-50 located on Sep. 23, 2009
Located in sections 25 and 36
Township 23 North, Range 50 East M.D.M.,
and sections 30, 31 and 32
Township 23 North, Range 51 East M.D.M.,
and section 1
Township 22 North, Range 50 East M.D.M.,
and sections 5 and 6
Township 22 North, Range 51 East M.D.M.,
Eureka County, Nevada

Located By:
Miranda U.S.A., Inc.
310 Silver Street
Elko, Nevada 89801



DOC # 0214355
12/06/2009 05:30 PM
Official Record
Recorded by: FFS
Miranda U.S.A., Inc.
Eureka County - NV
Mike Rebest - Recorder
Fee: \$754.80 Page: 1 of 1
RPT: Recorded by: FFS
Doc# - Page - 0000





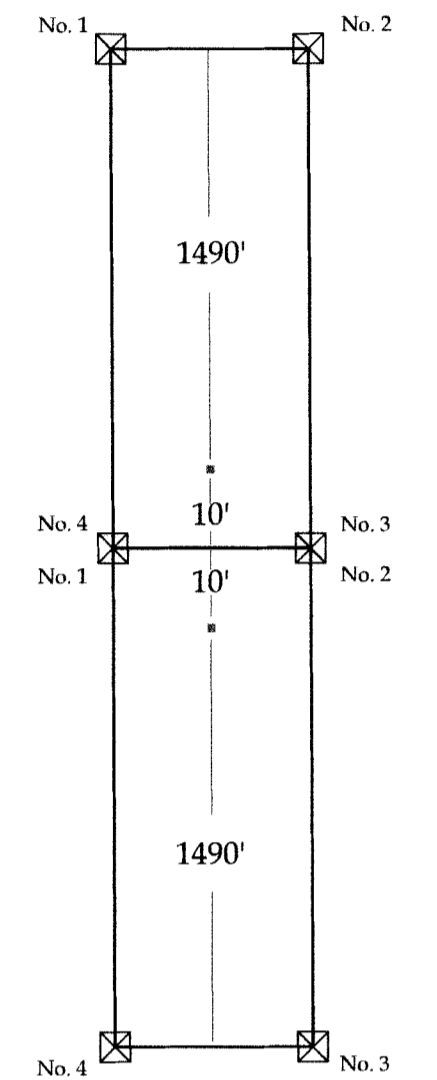
CLAIM MAP
TAZ Claims

- ☒ Claim corner: 2X2 wood post with metal tag
- Location Monument: 2X2 wood post with metal tag and location notice

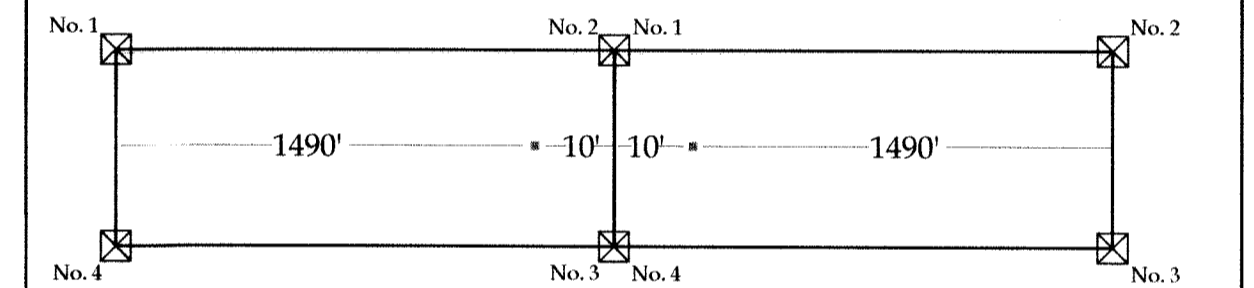
All claims are 1500' x 600'

Discovery Monuments for the TAZ claims are located at 10' off the end of the line, unless otherwise shown.

- No. 1: Northwest Corner
- No. 2: Northeast Corner
- No. 3: Southeast Corner
- No. 4: Southwest Corner



- No. 1: Northwest Corner
- No. 2: Northeast Corner
- No. 3: Southeast Corner
- No. 4: Southwest Corner



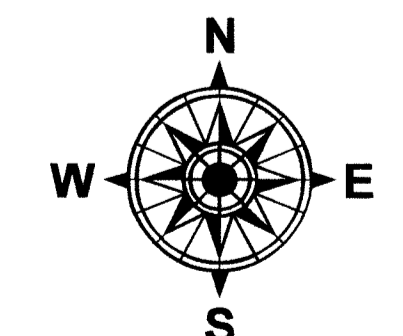
Miranda U.S.A., Inc.
Claim Map
TAZ Claims

Nos. 1-50

TAZ Nos. 1-50 located on Sep. 23, 2009

Located in sections 25 and 36
Township 23 North, Range 50 East M.D.M.,
and sections 30, 31 and 32
Township 23 North, Range 51 East M.D.M.,
and section 1
Township 22 North, Range 50 East M.D.M.,
and sections 5 and 6
Township 22 North, Range 51 East M.D.M.,
Eureka County, Nevada

Located By:
Miranda U.S.A., Inc.
310 Silver Street
Elko, Nevada 89801



DOC # 0214355
12/09/2009 03:30 PM
Official Record
Recording requested by:
Miranda U.S.A., Inc.
Eureka County - NV
Mike Rebaletti - Recorder
Fee: \$754.00 Page: 1 of 1
SPTT: Recorded By: FES
Book- Page- 0000

