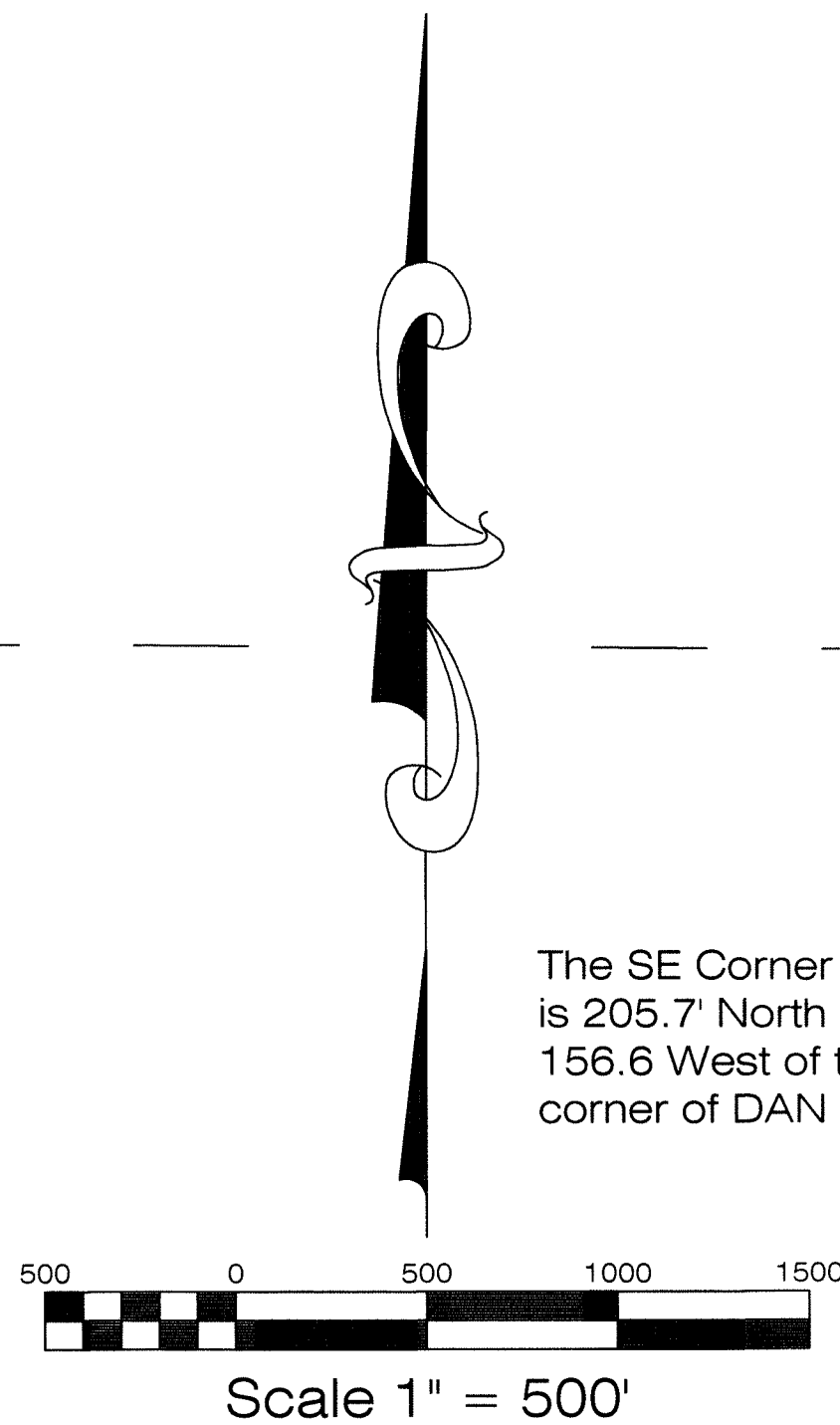
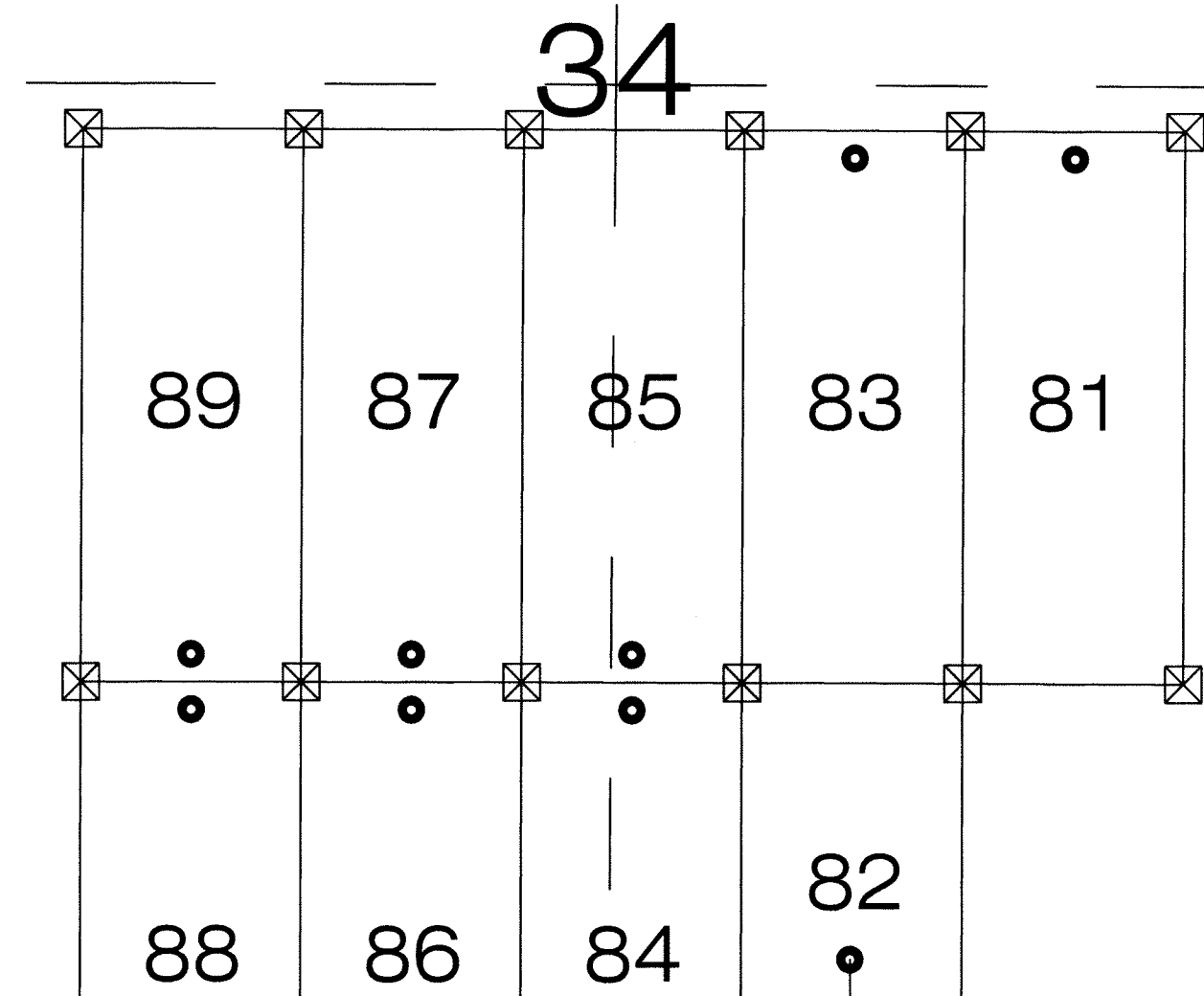
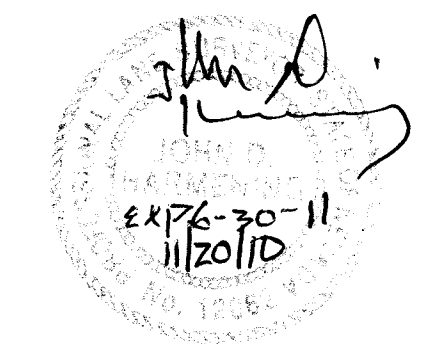


Claims 62 - 63 & 78 - 80 are on Map 2 of 2

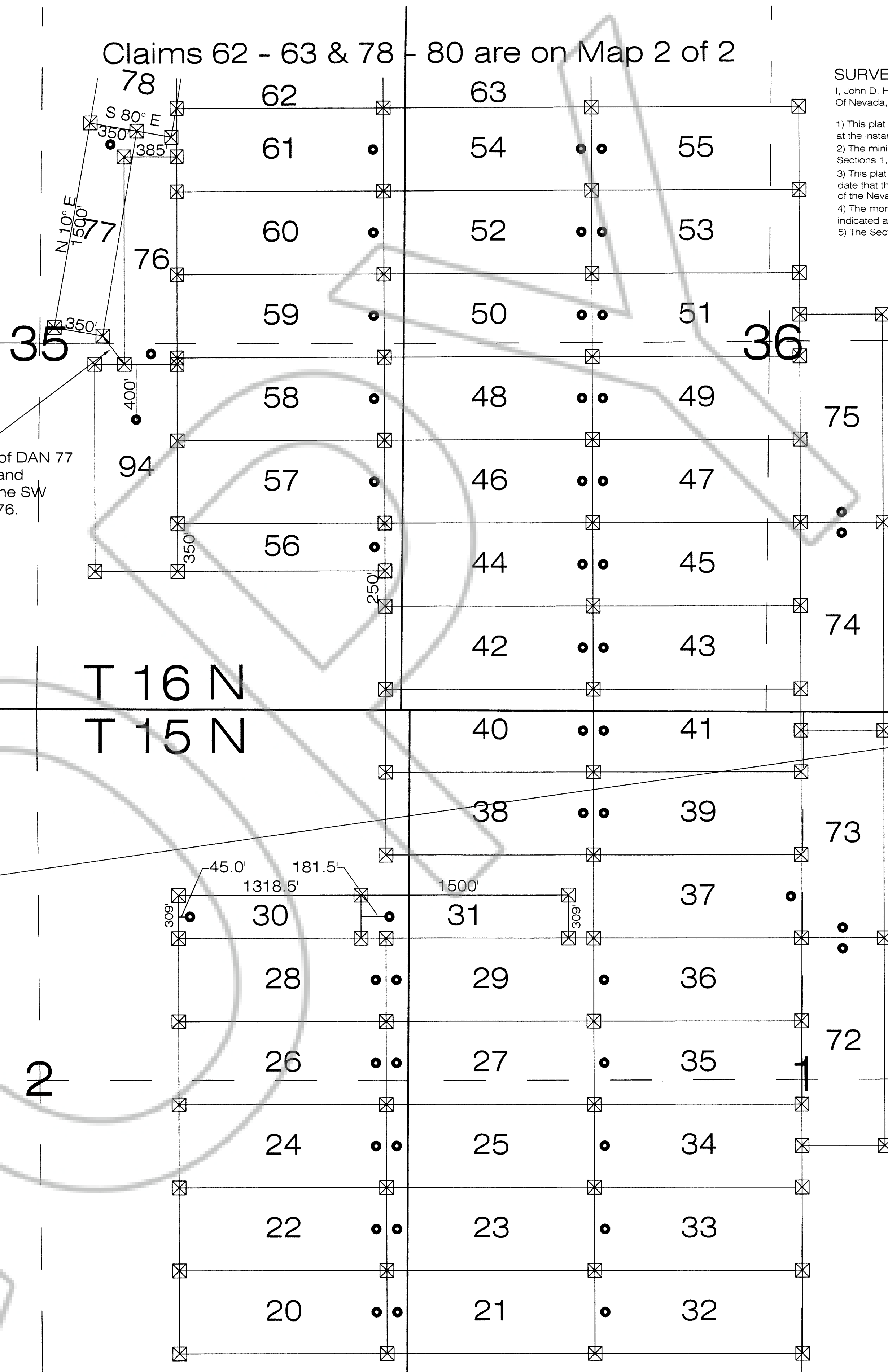
**SURVEYOR'S CERTIFICATE**

I, John D. Harmening, A Professional Land Surveyor (PLS 12062) Licensed in The State Of Nevada, certify that:

- 1) This plat represents the results of a survey conducted under my direct supervision at the instance of RMP Resources Corp., a Nevada corporation, (owner).
- 2) The mining claims surveyed lie within T 16 N, R 52 E, MDM, Sections 34, 35, 36 and T 15 N, R 52 E, MDM, Sections 1, 2, & 3; and the survey was completed on September 4, 2010.
- 3) This plat complies with applicable statutes of this state and any local ordinances in effect on the date that the survey was completed, and the survey was conducted in accordance with Chapter 625 of the Nevada Administrative Code.
- 4) The monuments depicted on the plat are of the character shown, occupy the positions indicated and are of sufficient number and durability.
- 5) The Section lines protracted on this map are from the BLM GCDB.



The SE Corner of DAN 77 is 205.7' North and 156.6 West of the SW corner of DAN 76.

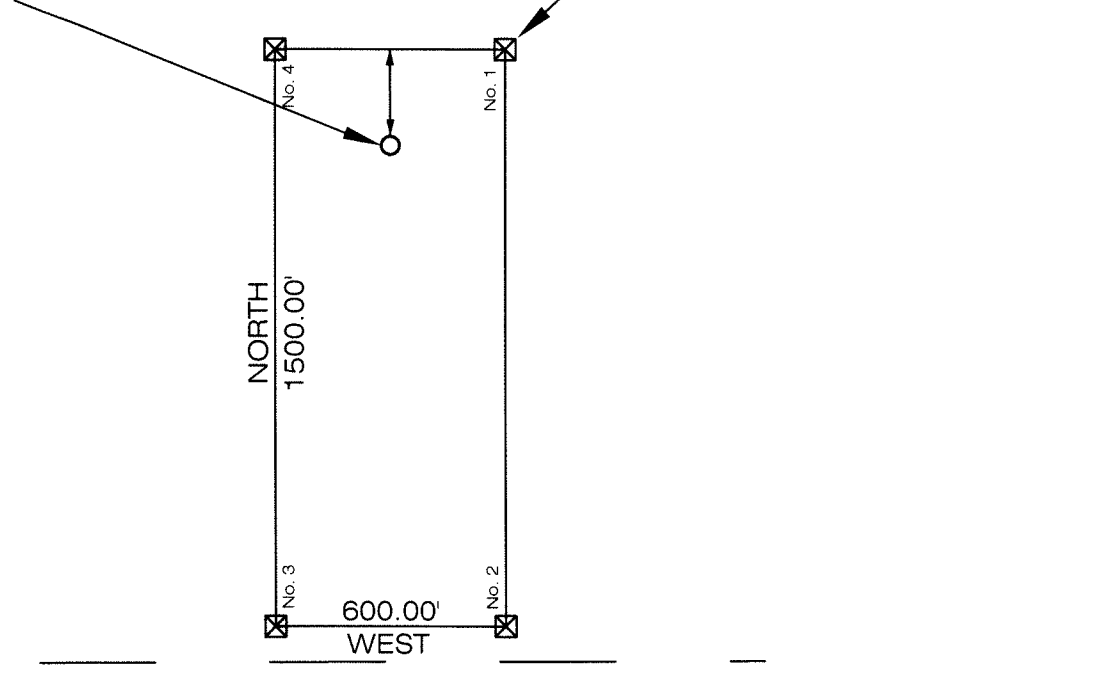


The SE Corner of Section 36, T16N, R52E is 1,377.4' South and 1,784.2' East of the NE corner of DAN 74.

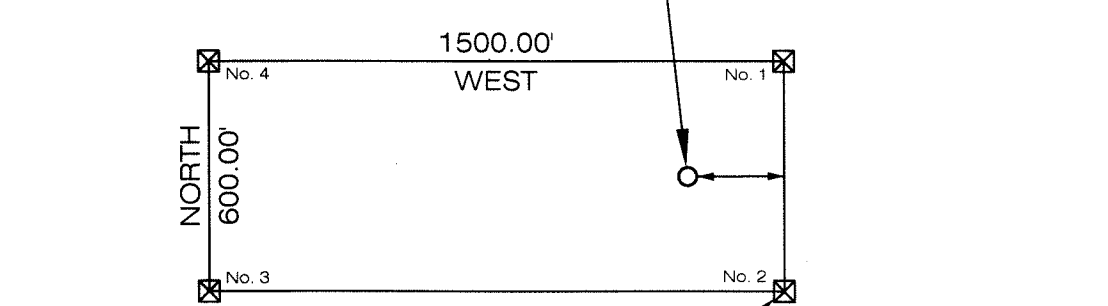
Found GLO Brass Cap for the SE Standard Corner Section 36

**Typical Claims unless otherwise noted**

All Location Monuments are 5' from the end line, or as noted on the plat.  
All corner monuments and location monuments are 4'X2'X2' wooden posts.

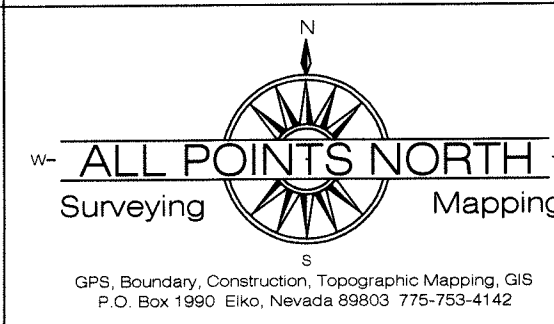


All Location Monuments are 5' from the end line, or as noted on the plat.



**DOC # 0216416**

11/29/2010 01:22 PM  
**Official Record**  
Recording requested by RMP RESOURCES CORP.  
Eureka County - NV  
Mike Rebaletti - Recorder  
Fee \$1,129.00 Page 1 of 2  
Recorded By FES  
Book- Page- 0000

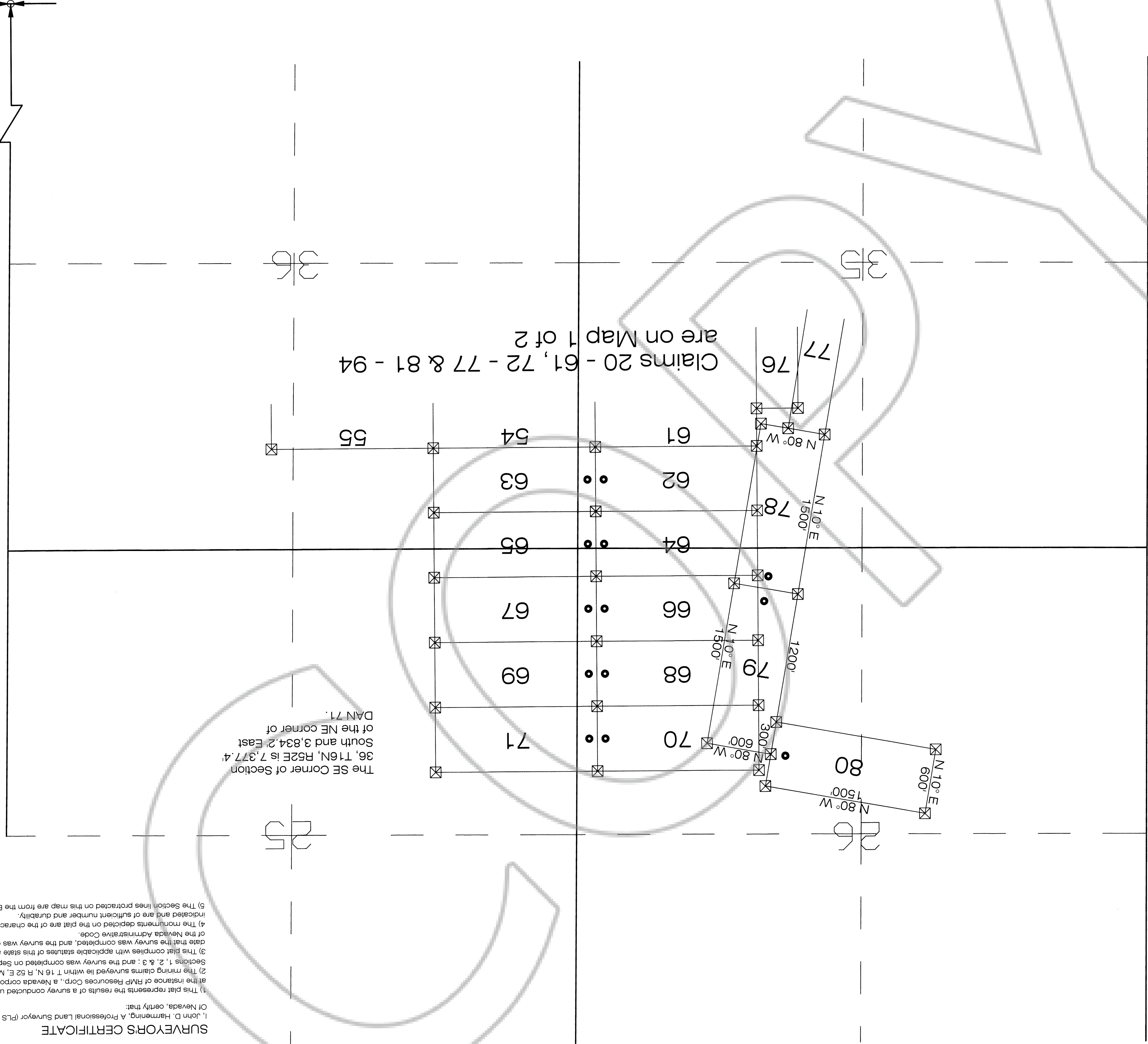
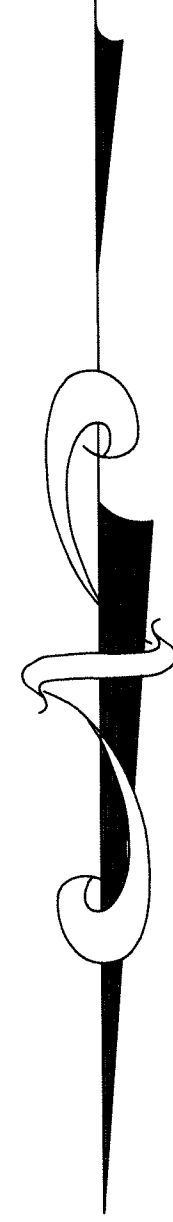
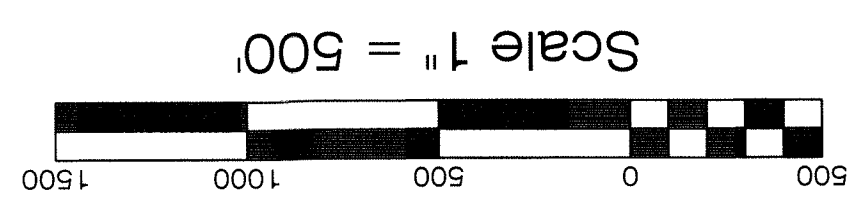
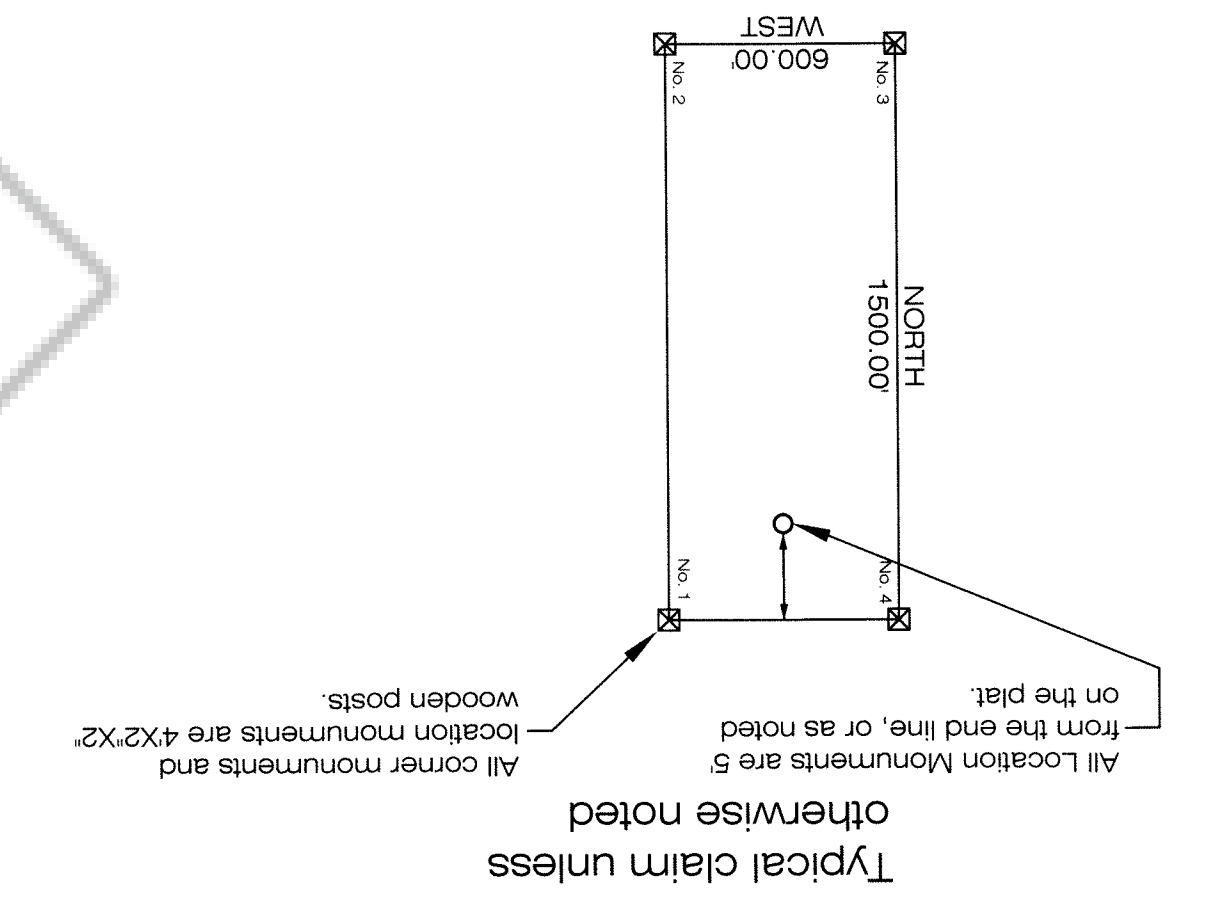
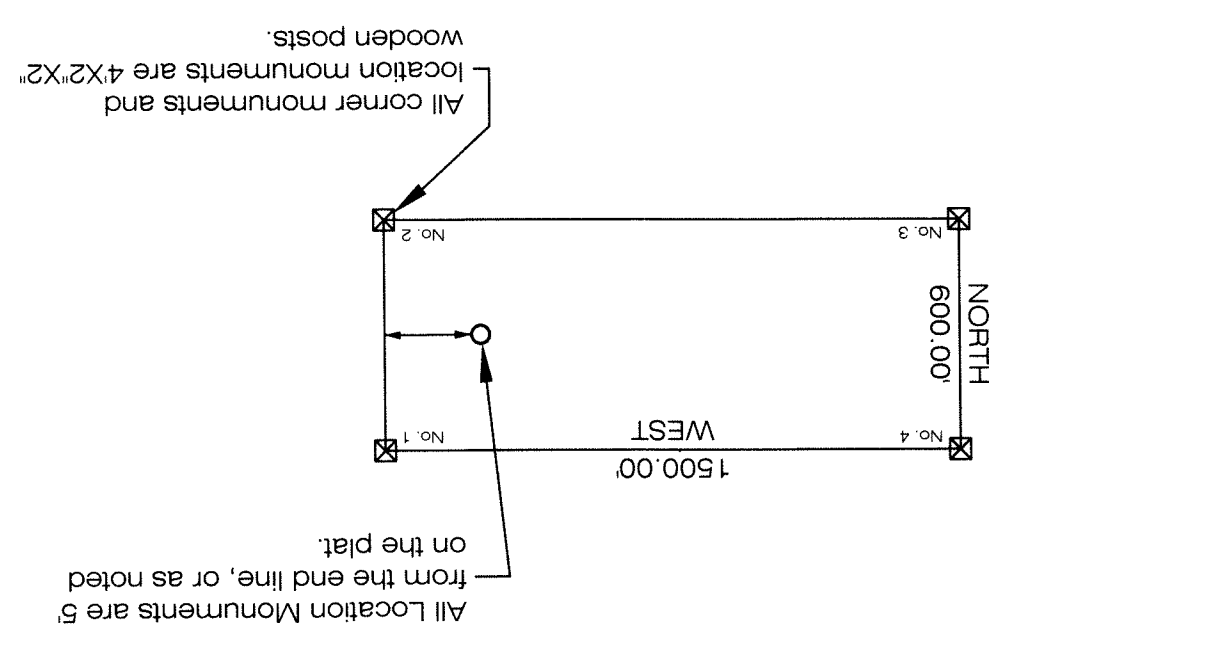


All Points North  
P.O. Box 1990  
Elko, Nevada 89803

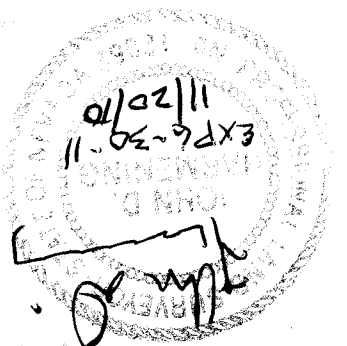
Claims in T 16 N, R 52 E, MDM, Sections 34, 35, 36, and T 15 N, R 52 E, MDM, Section 1, 2, & 3

Map Of:  
DAN Lode Claims Map 1 of 2  
Eureka County, Nevada

Located For:  
RMP Resources Corp.  
2778 Spokane Creek Road  
East Helena, MT 59635



**SURVEYOR'S CERTIFICATE**  
I, John D. Hammring, A Professional Land Surveyor (PLS 12062) Licensed in The State of Nevada, certify that:  
1) This plat represents the results of a survey conducted under my direct supervision at the instance of RMP Resources Corp., a Nevada corporation, (owner).  
2) The mining claims surveyed lie within T 16 N, R 52 E, MDM, Sections 34, 35, 36 and T 15 N, R 52 E, MDM, Sections 1, 2, & 3; and the survey was completed on September 4, 2010.  
3) This plat complies with applicable statutes of this state and any local ordinances in effect on the date that the survey was completed, and the survey was conducted in accordance with Chapter 625 of the Nevada Administrative Code.  
4) The monuments depicted on the plat are of the character shown, occupy the positions indicated and are of sufficient number and durability.  
5) The section lines protected on this map are from the BLM GCDs.



Found GLO Brass  
Cap for the SE  
Standard Corner  
Section 36