

Eureka County, Nevada

Located on the 8 day of March, 2012 by

Locator name and address (please print):

Billy Charles Brown

179 E. Adams St.

P.O. Box 74

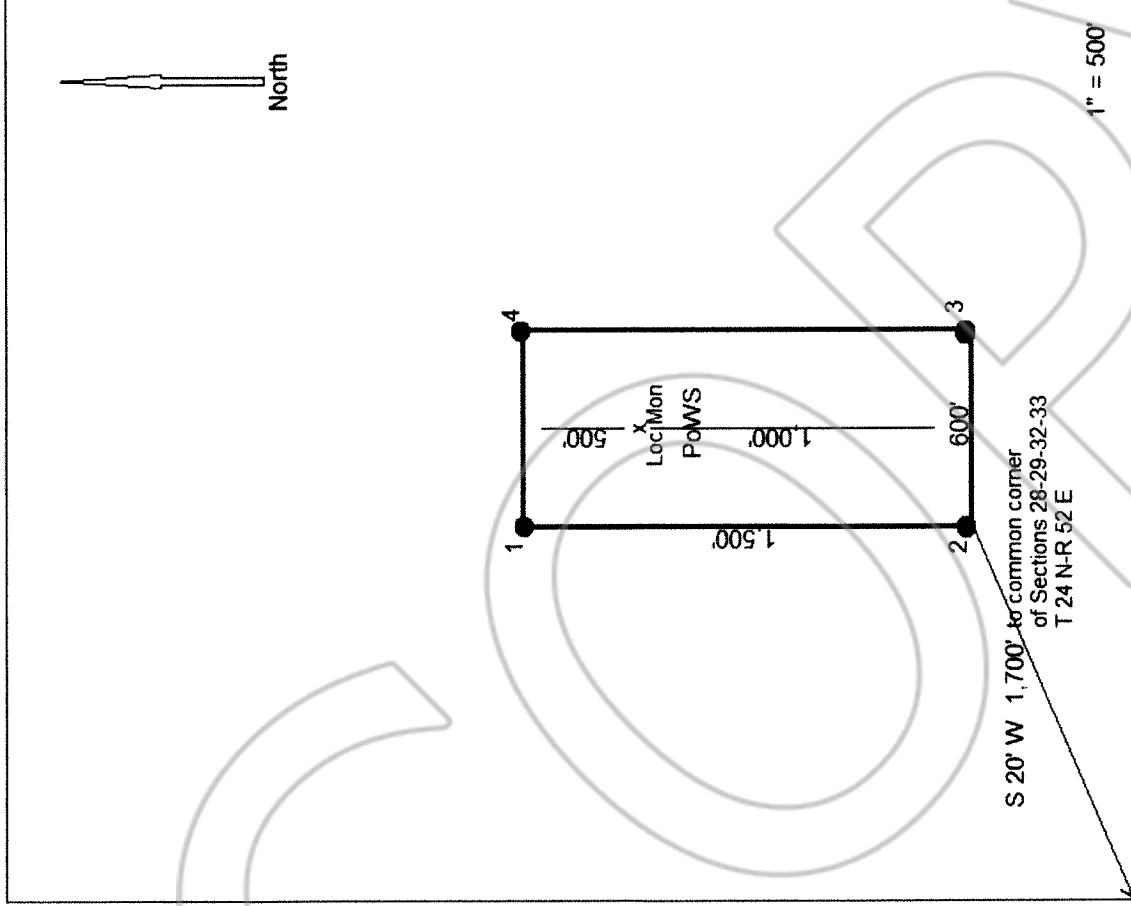
1010 Wana Park OR 97145

Describe here the position of the Claim Location Monument, if one is used.



0220173

RECORDER'S STAMP



Suggested Form - Nevada Division of Minerals (REV. 4/15/2009 LV)
Map Filing Form - NRS 517.040