

DOC # 0229844

09/14/2015 10:02 AM
Official Record
Recording requested By
CARLIN TREND MINING SERVICES

Eureka County - NV

Sara Simmons - Recorder

Fee: \$34.00 Page 1 of 1

RPTT: Recorded By: LH

Book- Page-



0229844

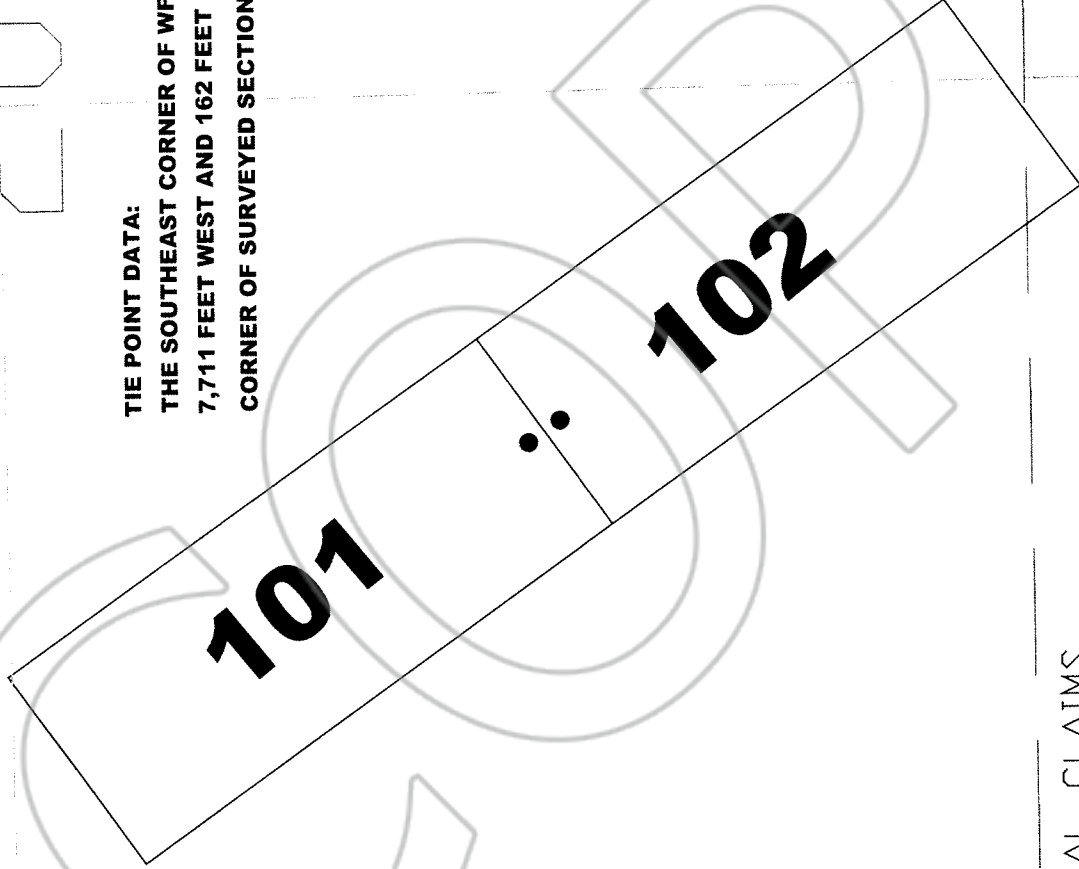
NOTES:

LOCATION MONUMENTS SET 10' FROM CLAIM END CENTERLINES. ALL LOCATION MONUMENTS AND CLAIM POSTS ARE 2"x2"x4' WOODEN STAKES. DASHED SECTION LINES INDICATE PROJECTED SECTIONS.

LOCATION DATES:

09/01/15 - WFW 101-102

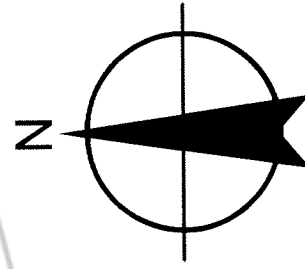
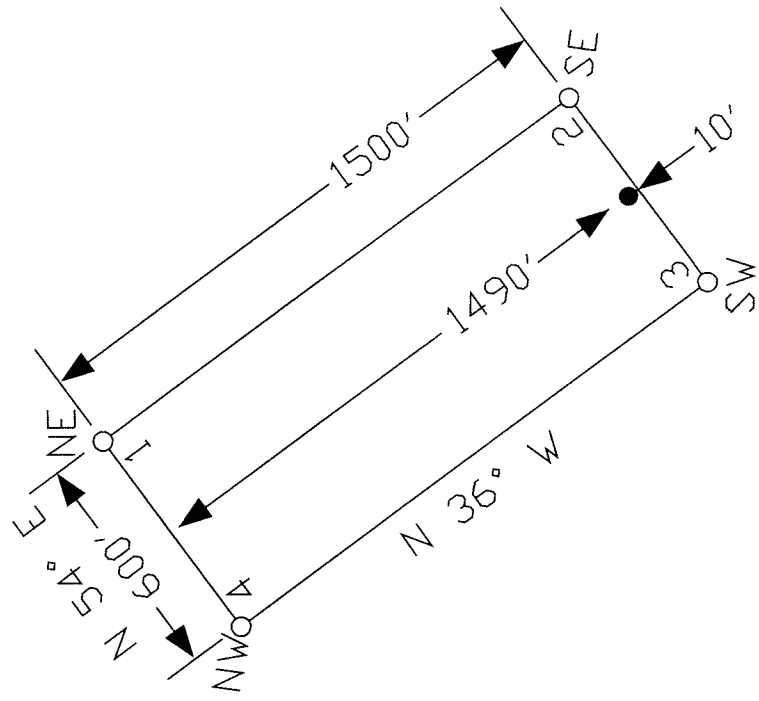
20



TIE POINT DATA:

THE SOUTHEAST CORNER OF WFW 102 LIES APPROXIMATELY 7,711 FEET WEST AND 162 FEET NORTH OF THE SOUTHEAST CORNER OF SURVEYED SECTION 21, T.31N., R.51E., M.D.B.M.

TYPICAL CLAIMS



Scale 1" = 500'
1:6000



WFW Resources LLC
441 Fir St., Eiko, NV 89801
WFW 101-102 Lode Claims
T.31N., R.51E.; Eureka County, Nevada

309 - 5th STREET
LEADVILLE, COLORADO 80461
PH: 719-738-9966 FAX: 719-738-9967

DATE: September, 2015
BY: Sara Simmons
SCALE: 1" = 500'