

EXPLANATION

- Monuments of Location are set with 2"x2"x4' wood posts.
- Claim corners are set with 2"x2"x4' wood posts.

All claims measure 600' x 1500' except for BC 218 which measures 400' x 1500' and BC 234 which measures 400' x 1500'.

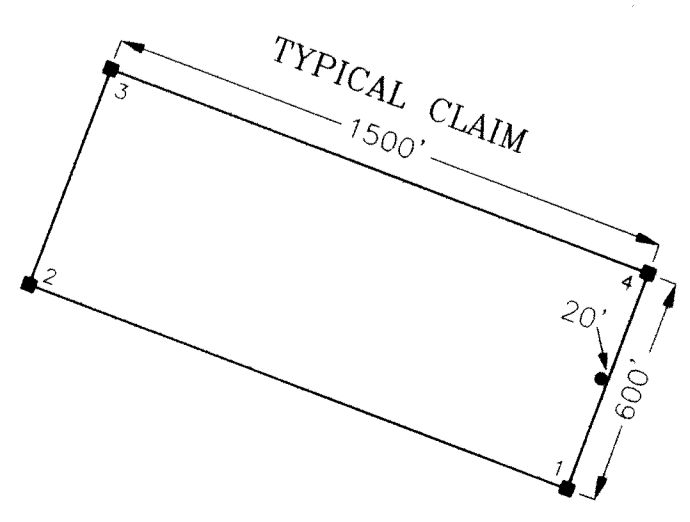
Monuments of Location are set 20' into claim.

LOCATION DATES:

BC 200-218	September 5, 2018
BC 219-223	September 6, 2018
BC 224-239	September 7, 2018

LOCATOR:
 Allegiant Gold (U.S.) Ltd.
 573 E. 2nd Street
 Reno, NV 89502

- TIES:**
- The SE Corner (1) of BC 223 bears approximately 3026' N12°W from Combs Peak located in Section 21, unsurveyed T18N-R52E, Eureka County, Nevada.
 - The SE Corner (3) of BC 200 bears approximately 7504' N34°W from Combs Peak located in Section 21, unsurveyed T18N-R52E, Eureka County, Nevada.
 - The NW Corner (1) of BC 200 is common with the SW corner of existing BC 63 unpatented lode mining claim.
 - The NW Corner (3) of BC 223 is common with the NE corner of existing BC 18 unpatented lode mining claim.
 - The SE Corner (2) of BC 234 bears approximately 13,261' N12°W from Combs Peak located in Section 21, unsurveyed T18N-R52E, Eureka County, Nevada.
 - The SE Corner (1) of BC 239 bears approximately 9678' N1°E from Combs Peak located in Section 21, unsurveyed T18N-R52E, Eureka County, Nevada.
 - The NW Corner (4) of BC 234 is common with the NE corner of existing ACR 141 unpatented lode mining claim.
 - The SW Corner (2) of BC 239 is common with the NW corner of existing BC 49 unpatented lode mining claim.



EUREKA COUNTY, NV
 Rec: 5610.00
 Total: 5610.00
 ALLEGIANT GOLD US LTD
 2018-236123
 09/21/2018 01:54 PM
 Pg 1 of 1
 LISA HOEHNE, RECORDER

ALLEGIANT GOLD (U.S.) LTD.
BC 200-239
Lode Mining Claims
 Secs. 4, 5, 7-9, 16-20, unsurveyed T18N-R52E,
 M.D.B.&M., Eureka County, Nevada
 Drawn By: Cordex Staff
 Drawing: BC200-239-NADB3.dwg
 View: 200-239
 Layout: 500ac-200-239
 Date: September 19, 2018
 Revised: